



Heavy-Duty Commercial Toasters WCT800 Series

Features

- Uniformly toasts regular bread, bagels, Texas toast, frozen waffles, and many other foods
- Full brushed stainless steel housing
- Easily replaceable industrial heating plates
- Standard 4-slice, combination bread and bagel, dedicated bagel and switchable toasters
- Electronic browning controls and carriage control levers
- Dishwasher-safe crumb tray
- Limited One Year Warranty



**Switchable
Bread/Bagel
Toasters**



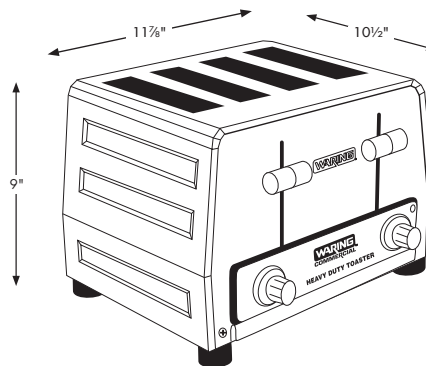
Specifications

| Item | Electrical | Listings | Watts | Amps | Plug | Output (Slices/Hour) | Slot Width |
|------------|--------------------|-------------|-------|-------|------------|----------------------|------------------------|
| WCT800RC | 120 Volt, 50/60 Hz | ETL, NSF | 1800 | 15 | NEMA 5-15P | 300 | (4) 1 1/8" |
| WCT800RCND | 120 Volt, 60 Hz | cETLus, NSF | 1440 | 12 | NEMA 5-15P | 288 | (4) 1 1/8" |
| WCT800 | 120 Volt, 50/60 Hz | cETLus, NSF | 2200 | 18.33 | NEMA 5-20P | 300 | (4) 1 1/8" |
| WCT805B | 208 Volt, 50/60 Hz | cETLus, NSF | 2700 | 12.98 | NEMA 6-20P | 380 | (4) 1 1/8" |
| WCT805 | 240 Volt, 50/60 Hz | cETLus, NSF | 2700 | 11.25 | NEMA 6-15P | 380 | (4) 1 1/8" |
| WCT810 | 120 Volt, 50/60 Hz | cETLus, NSF | 2025 | 16.88 | NEMA 5-20P | 380 | (2) 1 1/8", (2) 1 1/2" |
| WCT815B | 208 Volt, 50/60 Hz | cETLus, NSF | 2025 | 9.74 | NEMA 6-15P | 380 | (2) 1 1/8", (2) 1 1/2" |
| WCT815 | 240 Volt, 50/60 Hz | cETLus, NSF | 2025 | 8.44 | NEMA 6-15P | 380 | (2) 1 1/8", (2) 1 1/2" |
| WCT820 | 120 Volt, 50/60 Hz | cETLus, NSF | 1500 | 12.5 | NEMA 5-15P | 380 | (4) 1 1/2" |
| WCT825 | 240 Volt, 50/60 Hz | cETL, NSF | 1500 | 6.25 | NEMA 6-15P | 380 | (4) 1 1/2" |
| WCT825B | 208 Volt, 50/60 Hz | cETL, NSF | 1500 | 7.21 | NEMA 6-15P | 380 | (4) 1 1/2" |
| WCT850RC | 120 Volt, 50/60 Hz | ETL, NSF | 1800 | 15 | NEMA 5-15P | 300 | (4) 1 1/2" |
| WCT850RCND | 120 Volt, 60 Hz | cETLus, NSF | 1440 | 12 | NEMA 5-15P | 288 | (4) 1 1/2" |
| WCT850 | 208 Volt, 50/60Hz | cETLus, NSF | 2800 | 13.5 | NEMA 6-20P | 360 | (4) 1 1/2" |
| WCT855 | 240 Volt, 50/60Hz | cETLus, NSF | 2700 | 11.5 | NEMA 6-20P | 380 | (4) 1 1/2" |

Ordering Information

* All models listed have a Limited 1 Year Warranty.

| Description | Catalog # | Std Pkg. | Ship Wt. (Lbs.) | Cubic Feet | UPC Code |
|---|------------|----------|-----------------|------------|--------------|
| Heavy-Duty 120V Standard Toaster | WCT800RC | 1 | 22 lbs. | 1.6 | 040072002915 |
| Heavy-Duty 120V Standard Toaster | WCT800RCND | 1 | 22 lbs. | 1.6 | 040072028533 |
| Heavy-Duty 120V Standard Toaster | WCT800 | 1 | 22 lbs. | 1.6 | 040072001451 |
| Heavy-Duty 208V Standard Toaster | WCT805B | 1 | 22 lbs. | 1.6 | 040072003196 |
| Heavy-Duty 240V Standard Toaster | WCT805 | 1 | 22 lbs. | 1.6 | 040072001468 |
| Heavy-Duty 120V Combination Toaster | WCT810 | 1 | 22 lbs. | 1.6 | 040072001475 |
| Heavy-Duty 208V Combination Toaster | WCT815B | 1 | 22 lbs. | 1.6 | 040072003219 |
| Heavy-Duty 240V Combination Toaster | WCT815 | 1 | 22 lbs. | 1.6 | 040072001482 |
| Heavy-Duty 120V Bagel Toaster | WCT820 | 1 | 22 lbs. | 1.6 | 040072010019 |
| Heavy-Duty 240V Bagel Toaster | WCT825 | 1 | 22 lbs. | 1.6 | 040072010972 |
| Heavy-Duty 208V Bagel Toaster | WCT825B | 1 | 22 lbs. | 1.6 | 040072010989 |
| Heavy-Duty 120V Switchable Bread/Bagel Toaster | WCT850RC | 1 | 22 lbs. | 1.6 | 040072031243 |
| Heavy-Duty 208V Switchable Bread/Bagel Toaster | WCT850RCND | 1 | 22 lbs. | 1.6 | 040072031236 |
| Heavy-Duty 208V Switchable Bread/Bagel Toaster | WCT850 | 1 | 22 lbs. | 1.6 | 040072014314 |
| Heavy-Duty 240V Switchable Bread/Bagel Toaster | WCT855 | 1 | 22 lbs. | 1.6 | 040072031229 |



*Dimensions are the same for all models.
(9" H x 11 1/8" W x 10 1/2" D)

©2014 Waring Commercial
 Waring Commercial • 314 Ella T. Grasso Ave. • Torrington, CT 06790
 Tel. (800) 492-7464 • Fax (860) 496-9008
 www.waringcommercialproducts.com

14WC004007 PG-21496

@WaringProducts1

