

Portable Cambar[®] Designer Series

730 Designer Series

Post-Mix

Domestic Models

BAR730DSPMT - Post-Mix

BAR730DSPM - Post-Mix for Municipal Water Supply

International Model

BAR730DSPMT2 - 220 Volt

Features & Benefits

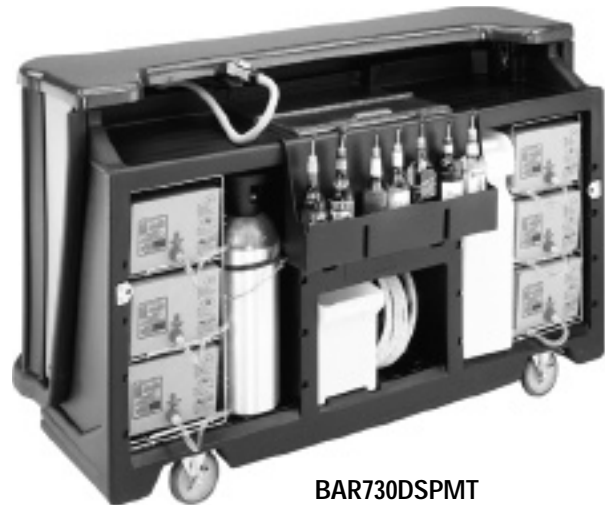
- Perfect for banquets and outdoor events. Self-contained system works in a lobby, banquet room or pool side event.
- Decorative counter and front and side panels for upgraded appearance to fit in any decor. Panels are made from a thermoformed ABS plastic with a clear finish for UV, scratch and chemical resistance. Counter is a granite pattern over a fiberglass composite structure.
- Unique detachable front lifts off, giving complete access to all storage areas for inventory and cleaning or routing soda lines, tubes and hoses.
- Sealed-in eight-circuit patented cold plate has unique "roof top" design that directs melted water immediately into drainage channels and into the waste water bin. Keeps ice colder longer.
- Premium quality Wunder-Bar[®] 8-button post-mix soda gun offers fast, low foaming delivery. Gun holster and overflow drain can be mounted on left or right side of sink. (Standard factory mounting is on the left side.)
- Oversized 7-bottle speed rail with towel grips is standard with all models. Detaches for easy cleaning. Built in partitions keep bottles separated to prevent breakage.
- BAR730DSPMT/BAR730DSPMT2 includes:
 - One 8-button Wunder-Bar[®] gun, sealed-in cold plate,
 - 1 carbonator, 6 syrup pumps, 1 CO₂ regulator and gauge,
 - 1 CO₂ clamp and chain, 2 steel bag-in-box racks, tubing,
 - hose and lines, 1 speed rail, 2 retainer straps, 1 waste water bin, 1 each 80 lb. (37 Kg.) center ice sink and cover,
 - 1 each 17 gallon (64 L) fresh water tank, 1 water pump.
- BAR730DSPM includes:
 - One 8-button Wunder-Bar gun, sealed in cold plate,
 - 1 carbonator, 6 syrup pumps, 1 CO₂ regulator and gauge,
 - 1 CO₂ clamp and chain, 2 steel bag-in-box racks, tubing,
 - hose and lines, 1 speed rail, 2 retainer straps, 1 waste water bin, 1 each 80 lb. (37 Kg.) center ice sink and cover.
- Molded high-density polyethylene is impact resistant and easy to clean. Won't dent, crack, rust, chip or break.
- Reinforced aluminum chassis and polyurethane structural foam core ensures unsurpassed strength.
- Center ice sink, 80 lb. (37 Kg.) capacity with slide back cover for optimum sanitation.
- Four each 6" (15.2 cm) swivel casters, 2 w/ brakes for smooth transport across carpet, cement or grass.
- Electrical 110 volt or 220 volt.
- Minimal assembly required.
- Available in 3 decor combinations.

Item No. _____

Specifier Identification No. _____

Model No. _____

Quantity _____



BAR730DSPMT



Manhattan Decor Combination (667)



Carmel Decor Combination (669)



Premium quality 8-button, post-mix soda gun by Wunder-Bar[®] with fast, low foaming delivery.



Detachable front for easy access to inventory and routing lines, tubes and hoses.

Approvals



Carbonator and Water Pumps only

Portable Cambar® Designer Series

730 Designer Series

Post-Mix

Domestic Models

BAR730DSPMT - Post-Mix

BAR730DSPM - Post-Mix for Municipal Water Supply

International Model

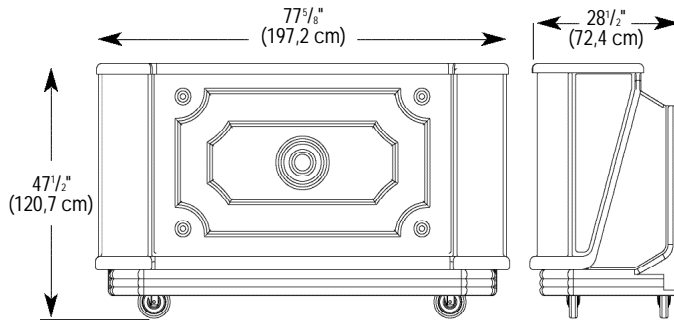
BAR730DSPMT2 - 220 Volt

Item No. _____

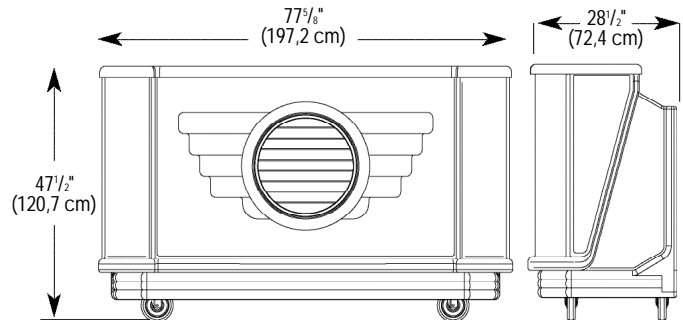
Specifier Identification No. _____

Model No. _____

Quantity _____



Sedona and Carmel Decor Packages
Front Panel Design



Manhattan Decor Package
Front Panel Design

BAR730DSPMT / BAR730DSPM / BAR730DSPMT2

Specifications

Code	Description	Dimension Tolerance: +/- 1/4" (0,64 cm)	
		Overall Dimensions L x W x H	Case lbs./cube Kg/m ³
BAR730DSPMT	Cambar with one 8-button Wunder-Bar® gun, sealed-in cold plate, 1 carbonator, 6 syrup pumps, 1 CO ₂ regulator and gauge, 1 CO ₂ clamp and chain, 2 steel bag-in-box racks, tubing, hose and lines, 1 speed rail, 2 retainer straps, 1 waste water bin, 1 each 80 lb. (37 Kg.) center ice sink and cover, 1 each 17 gallon (64 L) fresh water tank, 1 water pump and decorative counter and front and side panels.	77 1/8" x 28 1/2" x 47 1/2" (197,2 x 72,4 x 120,7 cm)	418 (67.02) 189,6 (1,90)
BAR730DSPM	Cambar with one 8-button Wunder-Bar® gun, sealed-in cold plate, 1 carbonator, 6 syrup pumps, 1 CO ₂ regulator and gauge, 1 CO ₂ clamp and chain, 2 steel bag-in-box racks, tubing, hose and lines, 1 speed rail, 2 retainer straps, 1 waste water bin, 1 each 80 lb. (37 Kg.) center ice sink and cover and decorative counter and front and side panels.	77 1/8" x 28 1/2" x 47 1/2" (197,2 x 72,4 x 120,7 cm)	398 (67.02) 180,5 (1,90)
BAR730DSPMT2	Cambar with same accessories as BAR730DSPMT. Available in 220 volt. No plug will be furnished.	77 1/8" x 28 1/2" x 47 1/2" (197,2 x 72,4 x 120,7 cm)	418 (67.02) 189,6 (1,90)

Optional Accessories

- Wire Shelving 730WS
- Retaining Strap 730STP (2 each with Cambar)
- Retaining Chain for CO₂ canisters 730CHN (1 each with Cambar)
- 7-Bottle Speed Rail 730SR (1 each with Cambar)
- 17 gal. (64 L) Fresh Water Tank 730FWT (1 each with Cambar BAR730DSPMT)

Standard Colors

- Manhattan - Black base, Coal countertop and Brushed Pewter panels (667)
- Sedona - Granite Sand base, Cocoa countertop and Light Burlwood panels (668)
- Carmel - Black base, Coal countertop and Dark Burlwood panels (669)

Architect Specs

The post-mix designer series portable bar shall be a Cambar730 Designer Series, manufactured by Cambro Mfg. Co., Huntington Beach, CA 92648 U.S.A. It shall be a Cambro Model... It shall be constructed of molded high-density polyethylene and foam-injected polyurethane with a built-in bumper and decorative counter and front and side panels. It shall have an access passage in the middle compartment for a water line or electrical cord. It shall have a step-down preparation area that can be fit with 2 glass rail mats. It shall have 4 each 6" (15,2 cm) swivel casters, 2 locking, on a molded-in aluminum chassis. It shall have a premium 8-button Wunder-Bar® post-mix soda gun, sealed-in

8-circuit "roof top" design cold plate, CO₂ regulator and gauge, CO₂ clamp and chain, 7-bottle oversized speed rail with built-in partitions and towel grips, and waste water bin. It shall have 6 each mechanical syrup pumps, 2 each steel bag-in-the-box racks, and the required tubing, hoses and line. It shall have a UL Approved carbonator. It shall be offered in both 110V and 220V models. It shall have an 80 lb. (37 Kg.) capacity center ice bin with a slide back cover. It shall be available with a 17-gallon (64 L) fresh water tank and one UL Approved electrical water pump. It shall have a detachable front that lifts off. All models shall be available in 3 decor combinations.

Approvals



Carbonator and Water Pumps only