

Ingredient Bins

Slant Top

- Models IBS20 – 21 gallon (81 L)
IBS27 – 27 gallon (102 L)
IBS37 – 37 gallon (140 L)



Features & Benefits

- Stores and transports a wide variety of dry ingredients such as flour, sugar, rice or grains. Perfect for restaurants, food manufacturers or commissaries.
- Available in 21, 27 and 37 gallon (81, 102, 140 L) capacity to meet standard industry requirements for storage and transportation of bulk foods.
- One-piece, seamless single-wall polyethylene bin construction is extremely durable. Won't rust or corrode. Liquids and dry foods will not stick or seep between seams.
- FDA accepted material. Meets all food contact requirements and eliminates need for liners.
- Smooth interior and exterior are easy to clean.
- Injection molded Camwear® polycarbonate lids are transparent, break resistant and offer quick and easy identification of contents. Slide-back feature means easy access.
- Working height permits storage under standard work tables.
- Heavy-duty 3" (7,6 cm) casters, 2 front swivel, 2 fixed.
- No assembly required.
- Available in White (148) only with Clear (135) cover.

Item No. _____

Specifier Identification No. _____

Model No. _____

Quantity _____



IBS20



IBS27



IBS37

Scoops not Included
Approvals



Ingredient Bins

Item No. _____

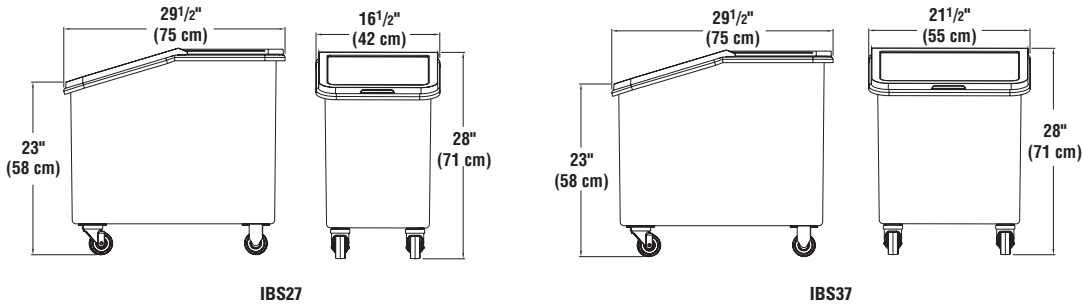
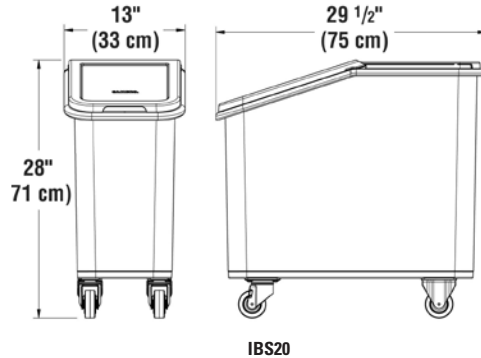
Slant Top

Models IBS20 – 21 gallon (81 L)
 IBS27 – 27 gallon (102 L)
 IBS37 – 37 gallon (140 L)

Specifier Identification No. _____

Model No. _____

Quantity _____



Specifications

Dimension Tolerance: +/- 1/4" (0,64 cm)

Code	Description	Volume Capacity	Load Capacity		Exterior Dimensions W x D x H	Case lbs./cube Kg/m ³
			Sugar	Flour		
IBS20	21 gal. Ingredient Bin (81 L)	2.87 Cubic feet (0,081) Cubic meters	170 lbs. (77 kg.)	140 lbs. (63 kg.)	13" x 29 1/2" x 28" (33 x 75 x 71 cm)	28 (6,57) 13 (0,19)
IBS27	27 gal. Ingredient Bin (102 L)	3.98 Cubic feet (0,113) Cubic meters	226 lbs. (103 kg.)	150 lbs. (68 kg.)	16 1/2" x 29 1/2" x 28" (42 x 75 x 71 cm)	24 (7,50) 11 (0,22)
IBS37	37 gal. Ingredient Bin (140 L)	5.55 Cubic feet (0,157) Cubic meters	314 lbs. (142 kg.)	225 lbs. (102 kg.)	21 1/2" x 29 1/2" x 28" (55 x 75 x 71 cm)	28 (10,10) 13 (0,29)

Architect Specs

The Ingredient Bins shall be Cambro Model..., manufactured by Cambro Mfg. Co., Huntington Beach, CA 92648 U.S.A. Each unit shall be one piece, seamless, single-wall molded construction made of FDA Approved white polyethylene. Unit capacity shall range from 21 - 37 gallons (81 - 140 L) and/or 2.87 - 5.55 cu. ft. (0,081 - 0,157 cubic meters).

It shall have four each 3" (7,6 cm) casters with 1/4" (3,2 cm) wide tread, 2 front swivel and 2 fixed. It shall have an injection molded, transparent, slide-back polycarbonate lid. It shall not exceed 29" (73,6 cm) in height so that it can store under standard work tables. It shall be available in white only with a clear cover.

Approvals



© Cambro Manufacturing Company 5801 Skylab Road, Huntington Beach, CA 92647-2056, U.S.A.
 Telephone 714 848 1555 Toll Free 800 854 7631 Customer Service Department 800 833 3003