

Ultra Pan Carriers®

Top Loading

For GN Food Pans
Models UPC160, UPC180



Features & Benefits

- Rugged and dependable, these Ultra Pan Carriers provide an exact fit for a wide variety of GN Full and Fractional size Food Pans.
- Create a wide variety of service configurations for food transporting using Cambro's GN Fractional Food Pans and 12" (32,5 cm) Divider Bars. Easily transforms these Ultra Pan Carriers into a mini food bar, salad bar or condiment station!
- GN 1/1 Full Size Food Pan capacity:
 - Model UPC160 – 1 each 6" (15 cm) deep
 - Model UPC180 – 1 each 8" (20 cm) deep
- One-piece seamless, double-wall, high-density polyethylene construction is durable, lightweight and dishwasher safe. Textured exterior is scratch resistant.
- Polyurethane foam insulation helps to ensure excellent food temperature retention, hot or cold.
- Self venting design helps equalize pressure and release steam.
- Four durable nylon latches and an airtight gasket ensure excellent temperature holding performance. Latches will not rust and gasket removes for complete cleaning.
- Easy to load and unload. Simply remove food pans using finger notches.
- Molded-in handles on all four sides provides a comfortable grip for easy transporting.
- Unique interlock design on the bottom and top corners ensures secure stacking for more efficient transportation and storage. Also stacks with Camcarriers®.
- Optional Camdollies® offer easy transporting.
- Non-electrical.
- No assembly required.
- Available in 7 colors for quick food content identification and inventory control at-a-glance.

Item No. _____

Specifier Identification No. _____

Model No. _____

Quantity _____



UPC180



UPC160



GN Food Pan configuration includes:

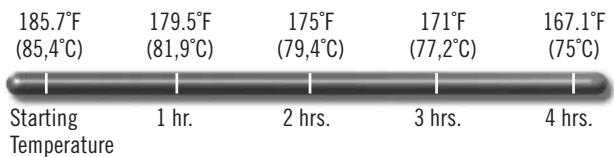
- One 1/2 Size Food Pan
- Two 1/4 Size Food Pans
- One DIV12 Divider Bar



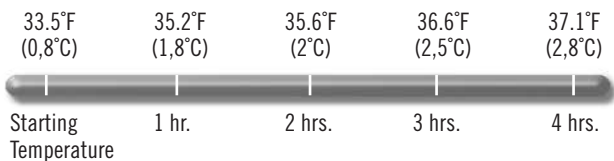
GN Food Pan configuration includes:

- Six 1/6 Size Food Pans
- Two DIV12 Divider Bar

Ultra pan Carriers Keep Hot Food Hot for Hours!



Ultra pan Carriers Keep Cold Food Cold for Hours!



Approvals



Ultra Pan Carriers®

Top Loading

For GN Food Pans

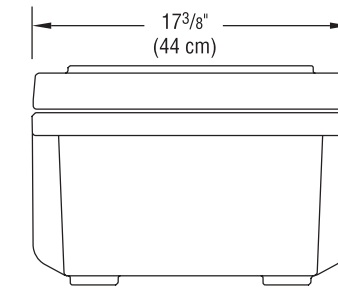
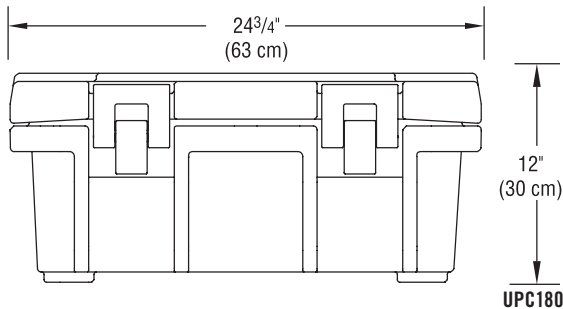
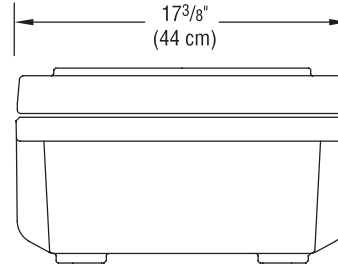
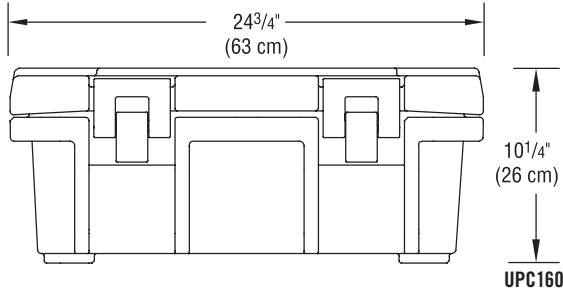
Models UPC160 and UPC180

Item No. _____

Specifier Identification No. _____

Model No. _____

Quantity _____



Specifications

Dimension Tolerance: +/- 1/4" (0,64 cm)

Code	Description	Approx. Capacity	Exterior Dimensions L x W x H	Case lbs./cube Kg/m ³
UPC160	Ultra Pan Carrier	20 qts. (18,9 L)	24 ³ / ₄ " x 17 ³ / ₈ " x 10 ¹ / ₄ " (63 x 44 x 26 cm)	20.75 (2.72) 9,4 (0,08)
UPC180	Ultra Pan Carrier	24,5 qts. (23,2 L)	24 ³ / ₄ " x 17 ³ / ₈ " x 12" (63 x 44 x 30 cm)	21.5 (3.18) 9,8 (0,09)

Optional Accessories

Divider Bar

- DIV12
 White (148) Clear (135)

Camdolly®

- CD160 for UPC160, UPC180

Standard Colors

- Slate Blue (401) Coffee Beige (157) Dark Brown (131)
 Black (110) Granite Gray (191) Granite Green (192)
 Granite Sand (194)

Architect Specs

The portable non-electrical hot and cold GN food pan transport carriers shall be an Ultra Pan Carrier, Models..., manufactured by Cambro Mfg. Co., Huntington Beach, CA 92648 U.S.A. It shall be made of one-piece, seamless, double-wall, high-density polyethylene and foam-injected polyurethane. It shall have a passive vent that helps equalize pressure and release steam. It shall have an airtight gasket that is easily removable for cleaning. It shall transport GN Full Size and Fractional Size Food Pans with the use of 12" (32,5 cm) Divider Bars. It shall have four durable, nylon over-center latches. It shall have four E-Z grip molded-in handles on the sides. It shall be available with a unique interlock design on the bottom and top corners to provide secure stacking for transport and storage. It shall stack with Camcarriers. It shall require no assembly and shall be available in 7 colors.

Approvals

CAMBRO
www.cambro.com



© Cambro Manufacturing Company 5801 Skylab Road, Huntington Beach, CA 92647-2056, U.S.A.
 Telephone 714 848 1555 Toll Free 800 854 7631 Customer Service Department 800 833 3003
 LIT1440 Printed in U.S.A.