

INSULATED FOOD SERVERS (ELECTRIC)

Ultra Pan Carrier® and Ultra Camcart® H-Series

- Designed for both electric hot holding and non-electric transport.
- Gentle, 150° to 165°F non-radiant heat will not cook food and maintains food moisture.
- Holds a wide variety of foods such as pasta, bone-in fried chicken, and double-crusts pies.

- One hour preheat time from room temperature and three minute recovery.
- Energy consumption is substantially less than comparable metal cabinets.
- Will not rust or dent like metal cabinets, is more economical, and is easy to maneuver.
- All UPCH models have been tested to maintain safe, hot food temperatures, for up to 4 hours when unplugged.
- Models with only the top heated door offer unique versatility with an electric hot holding cabinet on top and passive hot or cold food holding on the bottom.

- Heated door kits also sold separately to retrofit UPC400, UPC800 and UPC1600.

Colors: Granite Gray (191), Granite Green (192), Slate Blue (401), Dark Brown (131), Black (110).

Casters: 6" - 2 fixed, 2 swivel, 1 with brake.



Power On and Heat on Indicators

Communicate the Power and Heating status of the UPCH1600 unit. Know instantly when the compartment has reached target temperature.



Vents

Consistent heating throughout the compartment is generated by vents that constantly circulate heat from front to back.



Tough Exterior

All UPCH units are made of tough polyethylene with polyurethane foam insulation to keep heat in while keeping the exterior cool to the touch. Will not crack, dent, chip, rust or break.



Insulation

CFC-free, foamed-in place polyurethane foam insulation will hold temperature above 148°F for up to 4 hours when used unplugged.

INSULATED FOOD SERVERS (ELECTRIC)

Ultra Pan Carrier® and Ultra Camcart® H-Series

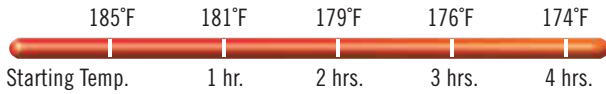
Marine rail is designed for use during service, not transport.



MODEL	UPCH400/ UPCH800 (110 VAC MODELS)	UPCH4002/ UPCH8002* (220 VAC MODELS)	UPCH1600 (110 VAC MODELS)	UPCH16002* (220 VAC MODELS)
Electrical Specifications				
REQUIRED VOLTAGE	110 – 120 VAC	200 – 230 VAC	110 – 125 VAC	200 – 230 VAC
MAXIMUM AMP.	2.0a	1.2a	4.6a	1.2a
WATTS	230w	265w	529w	265w
HERTZ	50/60	50/60	50/60	50/60
PLUG TYPE	Nema 5-15P	Euro plug, CEE7	5-15P to C15RA	CEE7/7 to C15RA
POWER CORD LENGTH	9 feet	2,7 m	9 feet	2,7 m

*No U.S. 220V model available.

Hot — temperature loss averaging 3°F/hour.

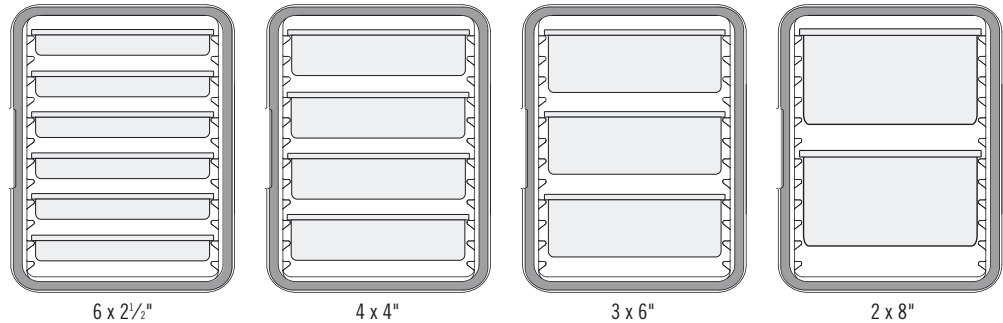


HOT HOLDING	150° — 165°F
WARM UP TIME (from ambient to temperature)	1 hour
RECOVERY TIME* (time to recover to temperature after door is held open for 30 seconds)	3 minutes
TRANSPORT TIME* (after reaching temperature, amount of time unit can be held passively/unplugged until contents reach 148°F.)	4 hours+

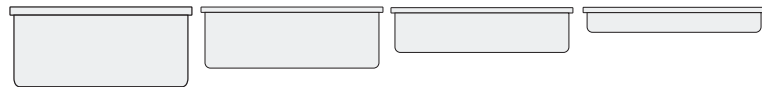
*Based on test with 4 full-sized, 4" deep H-Pans™ filled with 190°F hot water.

Capacity Guide

UPCH400
UPCH800 (x2)
UPCH1600 (x4)



Food Pan Portion Guide



GN 1/1 FOOD PAN	8"	6"	4"	2 1/2"
DEPTH	8"	6"	4"	2 1/2"
SERVING PORTIONS PER PAN (1 CUP)	80	60	40	30

INSULATED FOOD SERVERS (ELECTRIC)

Ultra Pan Carrier® and Ultra Camcart® H-Series

- Enables HACCP compliance by maintaining safe, hot food temperatures.
- UPCH400 models stack for storage or transporting on a Camdolly® with securing strap.

Colors: Granite Gray (191), Granite Green (192), Slate Blue (401), Black (110), Dark Brown (131).



Security Package (SP)

Specially designed for operations where safety and security are a top priority.

- Tamper-resistant fasteners.
- Non-removable doors.
- Lockable hasp on each door. (padlocks not included)
- Heavy duty (HD) casters with chassis plates mounted with tamper resistant bolts.

CODE	CASTERS	LIST PRICE EA.
UPCH1600SP	6" x 2"	\$ 6,055.00
UPCH16002SP	6" x 2"	6,055.00

CODE	DESCRIPTION	EXTERIOR DIMENSIONS W x D x H	COMPARTMENT DIMENSIONS W x D x H	LIST PRICE EA.
1-Compartment Ultra Pan Carriers				
110V				
UPCH400	No casters	18 $\frac{1}{8}$ " x 26 $\frac{3}{8}$ " x 24 $\frac{7}{8}$ "	13 $\frac{3}{8}$ " x 21" x 19 $\frac{1}{8}$ "	\$ 1,475.00
UPCHW400	With casters	18 $\frac{1}{8}$ " x 26 $\frac{3}{8}$ " x 31 $\frac{1}{4}$ "	13 $\frac{3}{8}$ " x 21" x 19 $\frac{1}{8}$ "	1,675.00
220V*				
UPCH4002	No casters	18 $\frac{1}{8}$ " x 26 $\frac{3}{8}$ " x 24 $\frac{7}{8}$ "	13 $\frac{3}{8}$ " x 21" x 19 $\frac{1}{8}$ "	1,475.00
UPCHW4002	With casters	18 $\frac{1}{8}$ " x 26 $\frac{3}{8}$ " x 31 $\frac{1}{4}$ "	13 $\frac{3}{8}$ " x 21" x 19 $\frac{1}{8}$ "	1,675.00
2-Compartment Ultra Camcarts				
110V				
UPCH800	Both doors heated	20 $\frac{1}{2}$ " x 27 $\frac{1}{8}$ " x 54"	13" x 21 $\frac{1}{2}$ " x 19 $\frac{1}{8}$ "	3,625.00
UPCHT800	Top door heated only	20 $\frac{1}{2}$ " x 27 $\frac{1}{8}$ " x 54"	13" x 21 $\frac{1}{2}$ " x 19 $\frac{1}{8}$ "	2,760.00
UPCH1600	Both doors heated	28 $\frac{3}{4}$ " x 33 $\frac{3}{8}$ " x 54 $\frac{1}{8}$ "	21" x 26 $\frac{1}{8}$ " x 21"	5,875.00
UPCH1600HD	Both doors heated, HD casters	28 $\frac{3}{4}$ " x 33 $\frac{3}{8}$ " x 54 $\frac{1}{2}$ "	21" x 26 $\frac{1}{8}$ " x 21"	6,040.00
UPCHT1600	Top door heated only	28 $\frac{3}{4}$ " x 33 $\frac{3}{8}$ " x 54 $\frac{1}{8}$ "	21" x 26 $\frac{1}{8}$ " x 21"	4,575.00
UPCHT1600HD	Top door heated only, HD casters	28 $\frac{3}{4}$ " x 33 $\frac{3}{8}$ " x 54 $\frac{1}{2}$ "	21" x 26 $\frac{1}{8}$ " x 21"	4,740.00
220V*				
UPCH8002	Both doors heated	20 $\frac{1}{2}$ " x 27 $\frac{1}{8}$ " x 54"	13" x 21 $\frac{1}{2}$ " x 19 $\frac{1}{8}$ "	3,625.00
UPCHT8002	Top door heated only	20 $\frac{1}{2}$ " x 27 $\frac{1}{8}$ " x 54"	13" x 21 $\frac{1}{2}$ " x 19 $\frac{1}{8}$ "	2,760.00
UPCH16002	Both doors heated	28 $\frac{3}{4}$ " x 33 $\frac{3}{8}$ " x 54 $\frac{1}{8}$ "	21" x 26 $\frac{1}{8}$ " x 21"	5,875.00
UPCH16002HD	Both doors heated, HD casters	28 $\frac{3}{4}$ " x 33 $\frac{3}{8}$ " x 54 $\frac{1}{2}$ "	21" x 26 $\frac{1}{8}$ " x 21"	6,040.00
UPCHT16002	Top door heated only	28 $\frac{3}{4}$ " x 33 $\frac{3}{8}$ " x 54 $\frac{1}{8}$ "	21" x 26 $\frac{1}{8}$ " x 21"	4,575.00
UPCHT16002HD	Top door heated only, HD casters	28 $\frac{3}{4}$ " x 33 $\frac{3}{8}$ " x 54 $\frac{1}{2}$ "	21" x 26 $\frac{1}{8}$ " x 21"	4,740.00
Accessories for 1-Compartment (See Accessories Page 30)		W x D x H	W x D	
CD400	Camdollies®	21 $\frac{1}{16}$ " x 28 $\frac{1}{8}$ " x 9"	18 $\frac{1}{2}$ " x 25 $\frac{1}{16}$ "	360.00
400STP	150" long strap	—	—	15.00

UPCH Case Pack: 1 *No U.S. 220V model available.

Also Available: Top and Bottom Replacement/Retrofit Doors for 110V and 220V (non-interchangeable).

InStock Colors: Black (110), Dark Brown (131).

Standard Casters: 6" x 1 $\frac{1}{4}$ " – 2 fixed, 2 swivel, 1 with brake.

Heavy Duty (HD) Casters: 6" x 2" – 2 fixed, 2 swivel with brake.