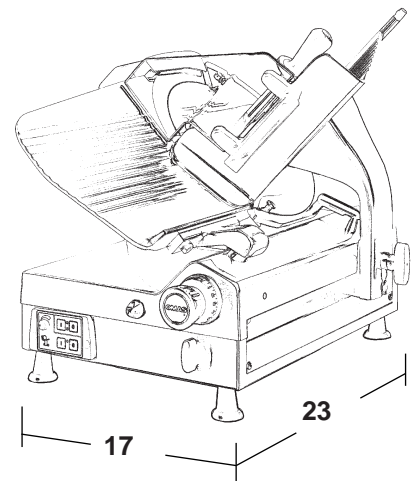


CX Matic 33F/N



- Semi automatic slicer
- Adjustable carriage stroke and consequent speed
- GEAR transmission
- Two separate motors - one for the blade - one for the carriage
- Removable parts for cleaning: blade cover, product holder, aluminium meat grip, S/S slice deflector
- Blade with NARROW BAND out of chromium-plated, hardened steel
- Turning aside and REMOVABLE sharpener
- Interlock on gauge plate
- Dual action sharpener

- Big size product-holder plate
- Transparent Plexiglas Protection at product-holder plate
- High reliability of all elements
- New design with large spaces
- Fixed ring guard
- Fence included



PROFESSIONAL USE

Model	Blade	Drive	Hp	Volt	IP	Cut thickness	Slicing capacity	lbs
	ø inch					inch	inch	
CX Matic 33F/N	13	Gear	0.6	120/60/1	55	0-0.55	□ 10 x 7 ○ 9	130

Varimixer

Call 800-222-1138 or visit www.varimixer.com
 14240 South Lakes Drive Charlotte, NC 28273, USA
 800-222-1138, Fax: 704-583-1703 mixer@varimixer.com

