



CIU070 - SELF CONTAINED CUBE ICE MAKER



CIU070

With its horizontal evaporator, the CIU line of ice machines provides crystal clear ice every time. And with its compact design the CIU ice machine is sized to fit nearly anywhere, yet stylish enough to show off to your customers.

Features

- Produces up to 68 lbs (30.8 kg) of ice per day.
- Stores up to 36 lbs (16.33 kg) of ice.
- Space saving design.
- Easy open, self-storing bin door.
- Large bin opening for easy access to ice.
- Simple control panel for easy adjustments.
- Low profile 31.75 in. (806.5 cm) installation with available ADA compliant kit.
- Front air intake & discharge for undercounter installation.
- Ice scoop included.
- Complies with AHRI 810-07.

Options & Accessories

Model	Description
KADA - 15	ADA floor mount kit for 15" CIU self-contained ice machine

Ice Maker Warranty

Commercial Warranty	
Ice Maker	2 Years Parts and Labor

Space-Saving Solutions

- Front air discharge design for compact spaces.
- Compact 15" width.
- Easy front access to ice.
- Low profile kit available for ADA compliance.

Ice Form

FULL CUBE DIMENSIONS	
W x D x H (in.)	7/8 x 7/8 x 7/8
W x D x H (mm)	22 x 22 x 22



CUBE



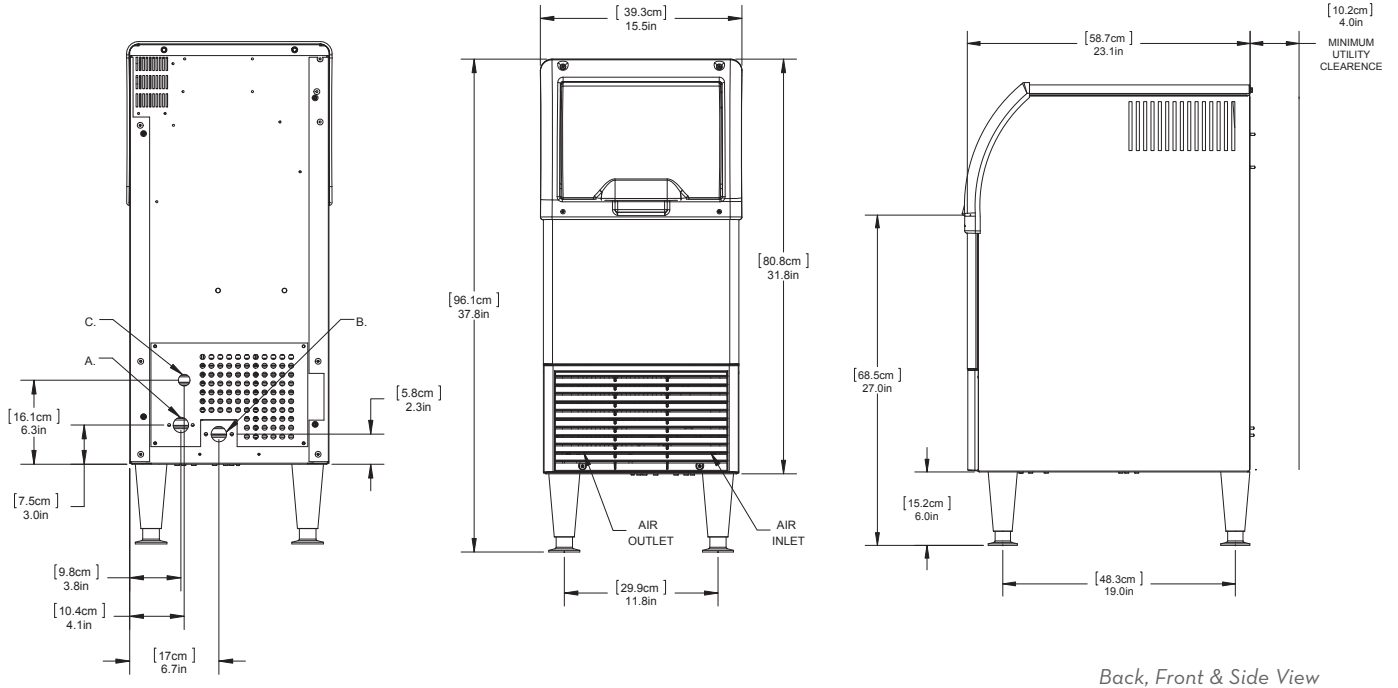
EST. 2004, CONTINUED



CIU070 SELF CONTAINED CUBE ICE MAKER

Air Cooled

A. Potable water inlet 1/4" OD plastic tubing. B. Bin and ice maker drain, 3/4" FPT. C. Electrical cord connected.
Included Items: Cord set, legs and scoop.



Operating Requirements

	MINIMUM	MAXIMUM
	60 Hz	
Ambient Temp. Range Air	50°F (10°C)	100°F (38°C)
Water Temp.	40°F (4.5°C)	100°F (38°C)
Water Pressure	15 PSIG (1.03 BAR)	80 PSIG (5.5 BAR)

Dimensions

ALL MODELS	
W x D x H (in.)	15 x 23 x 32
W x D x H (mm)	380 x 603 x 811

Specifications

Model Number	Cond. Unit	Ice Production per 24hrs		Water Usage	kWH Used per 100 lbs of ice @ 90°F air/70°F water	Number of Wires Including Ground	Voltage Characteristics	Min. Circuit Ampacity	Fuse Size	Approx. BTUs per hour**	
		70°F air/ 50°F water lbs (kg)	90°F air/ 70°F water lbs (kg)	gallons per 100 lbs of Ice 90°F air/70°F water							
CIU070	Air	68 (30.9)	50 (22.7)	Potable	36 (136.3)	13.9	Cord Connected	115/60/1	6	15	2300

**BTUH is calculated 0°F Evaporator, 100°F Condensing, and 33 PSIG.

NOTES:

Approx. Shipping Weight lbs (kg): All models 102 (46.3)
Refrigerant Type: R134A
Refrigerant Charge: 12.6 oz / 357.2 grams
Included Items: Ice scoop, 6" legs