

Remote Condensers



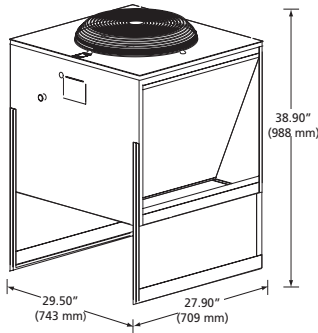
Features

- Designed for use with remote-cooled Cube, Flake, and Pearl ICE™ Makers that produce from 591 lbs (269 kg) to 2376 lbs (1079 kgs) of ICE per day
- Environmentally responsible - All model VRC / ERC / LRC / GRC condensers use R-404A, an approved non-ozone depleting refrigerant
- Constructed from sturdy, corrosion-resistant galvanized steel
Reduces air conditioning requirements and costs
- Fan is located away from the ICE Maker, ensuring quiet operation for customers

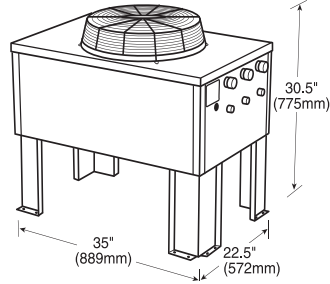
Options & Accessories

| Model Number | Description | Shipping Weight lbs (kg) |
|--------------|--|--------------------------|
| RT-325-404 | 25 ft. (7.6m) Precharged Tubing Kit for R-404A models | 13 (6) |
| RT-340-404 | 40 ft. (12m) Precharged Tubing Kit for R-404A models | 18 (8) |
| RT-345-404 | 45 ft. (13.7m) Precharged Tubing Kit for R-404A models | 19 (9) |
| RT-345-404 | 60 ft. (18.2m) Precharged Tubing Kit for R-404A models | 26 (12) |
| RT-375-404 | 75 ft. (22.9m) Precharged Tubing Kit for R-404A models (VCR and LRC models only) | 35 (16) |

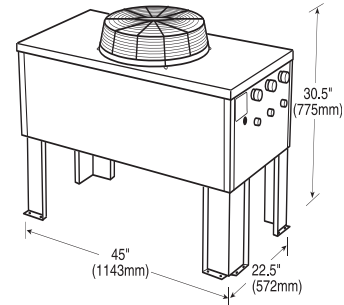




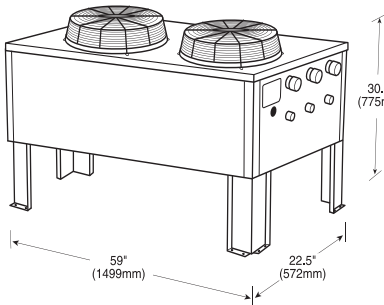
VRC-1001, 1061, 2061



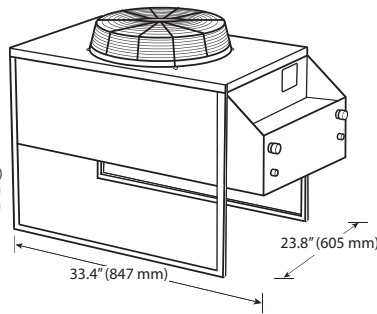
ERC-2661, LRC-2661



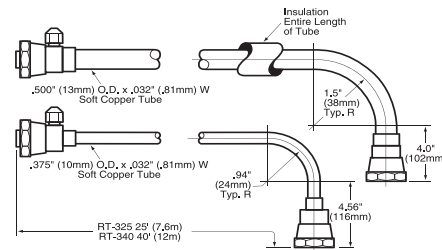
ERC-4061



ERC-5061



GRC-1001, 1061, 2061



Line Sets

| Model Number | Description | Voltage Characteristics | Shipping Weight lbs (kg) |
|--------------|--|-------------------------|--------------------------|
| VRC-1001 | Remote Condenser for one model ICE0500, | 115/60/1 | 113 (51) |
| VRC-1061 | Remote Condenser for one model ICE0606, EMF1106 | 208-230/50-60/1 | 113 (51) |
| VRC-2061 | Remote Condenser for one model ICE0806, ICE1006, EMF2306 | 208-230/50-60/1 | 113 (51) |
| ERC-2661 | Remote Condenser for one model ICE1406 | 208-230/50-60/1 | 100 (46) |
| LRC-2661 | Remote Condenser for one model ICE1506 | 208-230/50-60/1 | 100 (46) |
| ERC-4061 | Remote Condenser for one model ICE1806 | 208-230/50-60/1 | 125 (57) |
| ERC-5061 | Remote Condenser for one model ICE2106 | 208-230/50-60/1 | 155 (71) |
| GRC-1001 | Remote Condenser for one model GEM0650 | 115/60/1 | 95(43) |
| GRC-1061 | Remote Condenser for one model GEM0956 | 208-230/50-60/1 | 95(43) |
| GRC-2061 | Remote Condenser for one model GEM1256 | 208-230/50-60/1 | 95(43) |
| RT-325-404 | 25 ft. (7.6m) Precharged Tubing Kit for R-404A models | | 13 (6) |
| RT-340-404 | 40 ft. (12m) Precharged Tubing Kit for R-404A models | | 18 (8) |
| RT-345-404 | 45 ft. (13.7m) Precharged Tubing Kit for R-404A models | | 19 (9) |
| RT-345-404 | 60 ft. (18.2m) Precharged Tubing Kit for R-404A models | | 26 (12) |
| RT-375-404 | 75 ft. (22.9m) Precharged Tubing Kit for R-404A models (VCR and LRC models only) | | 35 (16) |

Notes:

- Number of Wires (Including Ground) = 3