

PIZZA PREPARATION TABLE

Model: CPA68

68" Pizza Preparation Refrigerator with Solid Doors

Heavy gauge #300 series stainless steel top, stainless steel front and end panels, aluminum interior.



Options and Accessories

(upcharge and lead times may apply)

| | |
|--|--|
| Stainless steel interior | Pan slides |
| Stainless steel back | Wire rod garnish rack |
| Overshelves (single or double) | Vision panel lid |
| Add'l epoxy-coated steel shelves | Door locks |
| Stainless steel shelves | Adjustable legs |
| Condensing unit on left (standard on right) | Front breathing |
| Drawer in lieu of half door above the condensing unit* | Special electrical requirements (<i>consult factory</i>) |

*Drawer section above condensing unit holds (1) 12 x 20 x 6 pan
Consult factory for other model configurations, options and accessories.

Continental[®]
Refrigerator

Toll-Free: 800-523-7138
Phone: 215-244-1400
Fax: 215-244-9579

539 Dunksferry Road
Bensalem, PA 19020
www.continentalrefrigerator.com

Project Name:

Model Specified:

Location:

Item No:

Quantity:

AIA #:

SIS #:

Standard Model Features

REFRIGERATION SYSTEM

Performance-rated refrigeration system

Environmentally-safe R-134a refrigerant

Unique forced air design utilizes fans (approx. every 12") across the entire back of unit for even distribution of cold

Automatic, electric condensate evaporator

Non-corrosive, plasticized fin evaporator coil

Easily serviceable, slide-out condensing unit

Expansion valve system

CABINET ARCHITECTURE

2" non-CFC polyurethane foam insulation

Smooth, polished chrome door handles

Spring loaded, self closing doors

Magnetic snap-in door gaskets

Heavy-duty, epoxy-coated steel shelves

19" deep, full length nylon cutting board

Insulated lid

5" casters

MODEL FEATURES

Electronic controller w/digital display & hi-low alarm

Ergonomically-friendly raised angle rail

Built-in, off cycle defrost timer assures optimum coil defrost

Refrigerated section w/door above the condensing unit

Field rehingeable doors

NOTE: CPA models come standard with a door above the condensing unit. A drawer above the condensing unit is an option.

APPROVAL:

Model Specifications

DIMENSIONAL DATA

| | |
|---|-------------------|
| Net Capacity (cu. ft.) | 22 (623 cu l) |
| Width, Overall (in.) | 68 (1727 mm) |
| Depth, Overall (in.) (incl. cutting board & bumpers) | 36 7/8 (937 mm) |
| Height, Overall (in.) (incl. 5" casters) | 39 7/16 (1002 mm) |
| Depth, Cutting Board (in.) | 19 (483 mm) |
| Pan Capacity (pans supplied by others) | (9) 1/3 |
| Shelf Area (sq. ft.) | 9.8 (.9 sq m) |
| No. of Shelves | 2 |
| No. of Full Doors | 2 |
| No. of Half Doors | 1 |
| Interior Depth (in.) | 27 3/8 (695 mm) |
| Interior Height (in.) | 26 (660 mm) |
| Interior Height (in.) (above condenser) | 12 1/2 (318 mm) |
| Interior Width (in.) | 64 (1626 mm) |

REFRIGERANT DATA

| | |
|-----------------------------|------|
| Condensing Unit Size (H.P.) | 1/2 |
| Capacity (BTU/Hr)* | 4220 |

ELECTRICAL DATA

| | |
|-------------------------------------|---------------------|
| Voltage (int'l) | 115/60/1 (220/50/1) |
| Fans | 5 |
| Total Amps (int'l) | 13.7 (8.8) |
| 10 ft. Cord/Plug [attached] (int'l) | Yes (No) |

SHIPPING DATA

| | |
|-----------------------|------------------|
| Weight (lbs.) | 488 (221 kg) |
| Height - Crated (in.) | 43 3/4 (1111 mm) |
| Width - Crated (in.) | 70 (1778 mm) |
| Depth - Crated (in.) | 47 (1194 mm) |

* Rating @ +25°F evaporator, 90°F ambient
 Figures in parentheses reflect metric equivalents rounded to the nearest whole unit.



Equipped with one NEMA-5-15P Plug
 (varies by country)

Continental[®]

Refrigerator

Toll-Free: 800-523-7138
 Phone: 215-244-1400
 Fax: 215-244-9579

539 Dunkserry Road
 Bensalem, PA 19020
www.continentalrefrigerator.com

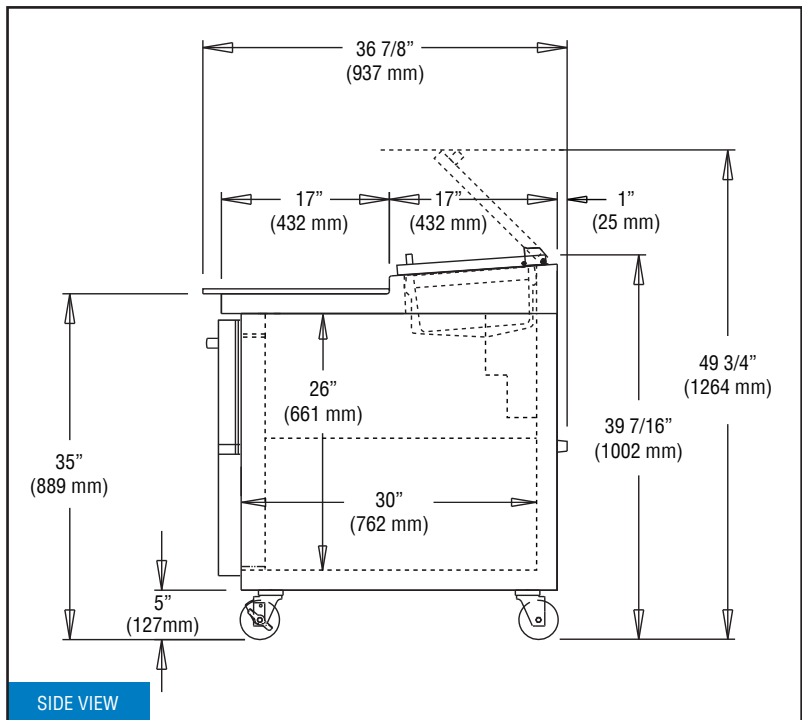
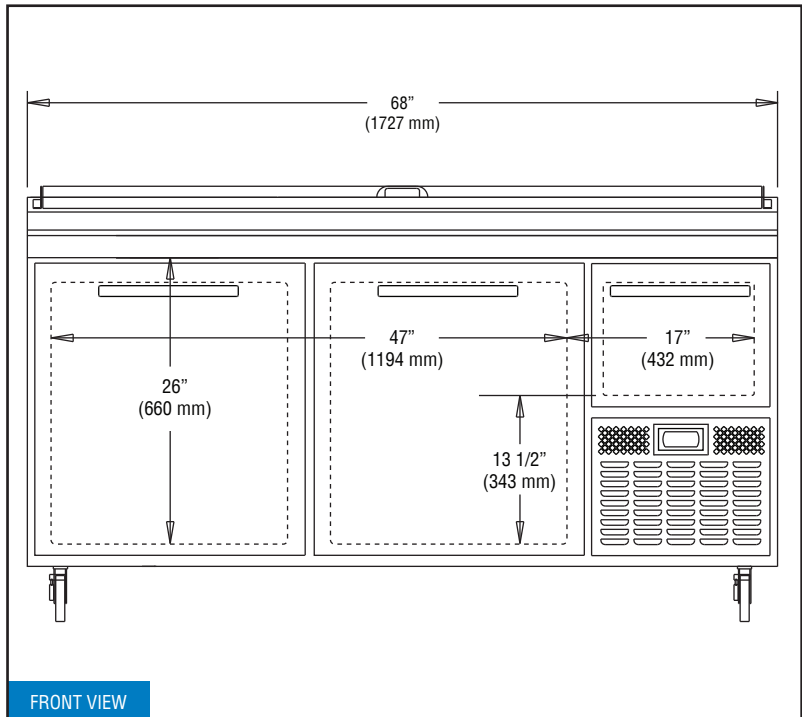
Due to our continued efforts in developing innovative products, specifications subject to change without notice.



MADE IN THE U.S.A.

© Copyright 2019, Continental Refrigerator.
 A Division of National Refrigeration & Air Conditioning Products, Inc.

Model Plan Views



IMPORTANT NOTE: If the cabinet is located directly against a wall, a minimum clearance of 3" is required on sides, front and rear.