

# WORKTOP FREEZER (0°F)

**Model: SWF48**

## 48" Worktop Freezer with Solid Doors

Stainless steel front, top and end panels, aluminum back and interior.

Designed to maintain NSF-7 temperatures in 100°F ambient.



### Options and Accessories

(upcharge and lead times may apply)

|  |  |
|--|--|
| Stainless steel interior                 | Drawers in lieu of doors (-D model)                  |
| Stainless steel back                     | Backsplash (-BS model)                               |
| Overshelves (single or double)           | Adjustable legs                                      |
| Add'l epoxy-coated steel shelves         | Door locks   |
| Stainless steel shelves                  | Special electrical requirements<br>(consult factory) |
| Automatic electric condensate evaporator |  |

Consult factory for other model configurations, options and accessories.

**Continental**  
Refrigerator

Toll-Free: 800-523-7138  
Phone: 215-244-1400  
Fax: 215-244-9579

539 Dunksferry Road  
Bensalem, PA 19020  
[www.continentalrefrigerator.com](http://www.continentalrefrigerator.com)

Project Name:

Model Specified:

Location:

Item No:

Quantity:

AIA #:

SIS #:

### Standard Model Features

#### REFRIGERATION SYSTEM

- Performance-rated refrigeration system
- Environmentally-safe R-290 refrigerant
- Automatic, energy saving, non-electric condensate evaporator
- Non-corrosive, plasticized fin evaporator coil
- Easily serviceable, back mounted compressor

#### CABINET ARCHITECTURE

- 2" non-CFC polyurethane foam insulation
- Spring loaded, self closing doors
- Magnetic snap-in door gaskets
- Heavy-duty, epoxy-coated steel shelves
- Completely enclosed, vented and removable case back
- 5" casters

#### MODEL FEATURES

- Electronic controller w/ digital display & hi-low alarm
- Field rehingeable doors
- Automatic electric defrost

APPROVAL:

## Model Specifications

### DIMENSIONAL DATA

|   |                  |
|---|------------------|
| Net Capacity (cu. ft.)                            | 13.4 (379 cu l)  |
| Width, Overall (in.)                              | 48 (1219 mm)     |
| Depth, Overall (in.)<br>(incl. handles & bumpers) | 31 9/16 (802 mm) |
| Height, Overall (in.) (incl. 5" casters)          | 35 1/4 (895 mm)  |
| Shelf Area (sq. ft.)                              | 6.8 (.6 sq m)    |
| No. of Shelves                                    | 2                |
| No. of Doors                                      | 2                |
| Interior Depth (in.)                              | See Drawing      |
| Interior Height (in.)                             | 26 1/4 (667 mm)  |
| Interior Width (in.)                              | 44 (1118 mm)     |

### REFRIGERANT DATA

|                             |      |
|-----------------------------|------|
| Condensing Unit Size (H.P.) | 1/2  |
| Capacity (BTU/Hr)*          | 2078 |

### ELECTRICAL DATA

|                                     |                     |
|-------------------------------------|---------------------|
| Voltage (int'l)                     | 115/60/1 (220/50/1) |
| Fans                                | 2                   |
| Total Amps (int'l)                  | 7.7 (3.5)           |
| Defrost Amps (int'l)                | 4.4 (2.2)           |
| 10 ft. Cord/Plug [attached] (int'l) | Yes (No)            |

### SHIPPING DATA

|                       |                  |
|-----------------------|------------------|
| Weight (lbs.)         | 248 (112 kg)     |
| Height - Crated (in.) | 43 1/4 (1099 mm) |
| Width - Crated (in.)  | 56 (1422 mm)     |
| Depth - Crated (in.)  | 37 1/4 (946 mm)  |

\* Rating @ -15°F evaporator, 90°F ambient

Figures in parentheses reflect metric equivalents rounded to the nearest whole unit.



Equipped with one NEMA-5-15P Plug  
(varies by country)

**Continental**  
Refrigerator

Toll-Free: 800-523-7138  
Phone: 215-244-1400  
Fax: 215-244-9579

539 Dunkserry Road  
Bensalem, PA 19020  
[www.continentalrefrigerator.com](http://www.continentalrefrigerator.com)

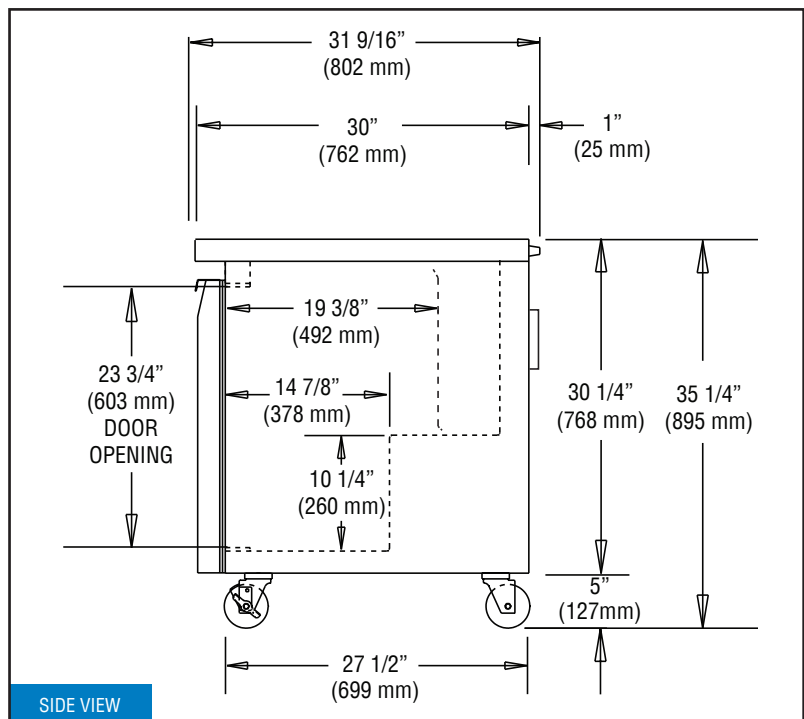
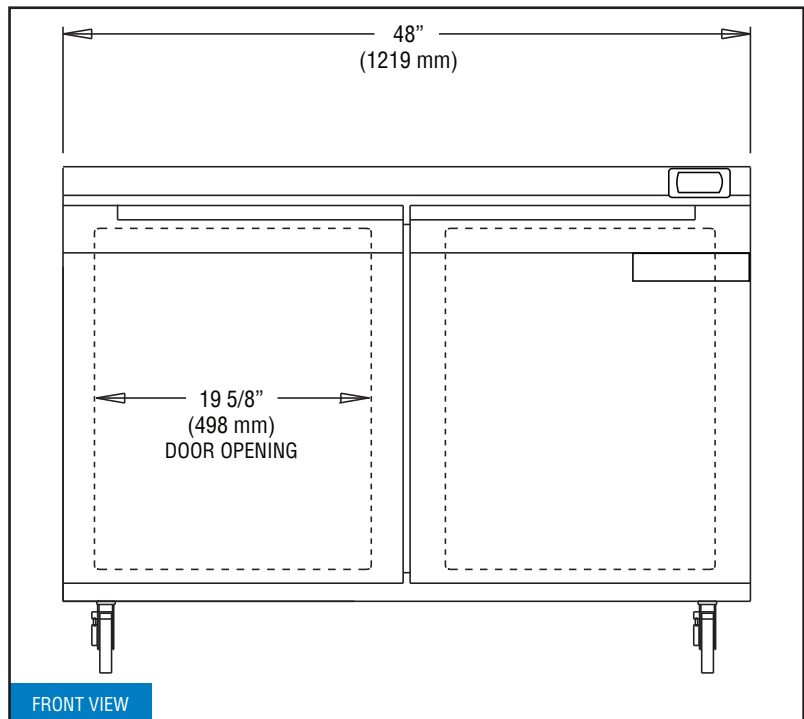
Due to our continued efforts in developing innovative products, specifications subject to change without notice.



MADE IN THE U.S.A.

© Copyright 2018. Continental Refrigerator.  
A Division of National Refrigeration & Air Conditioning Products, Inc.

## Model Plan Views



**IMPORTANT NOTE:** If the cabinet is located directly against a wall, a minimum clearance of 3" is required on sides, front and rear.