



Job Name _____

Item # _____

FOOD SERVICE EQUIPMENT

Spec Sheet No. TR-2

Buffet Table w/ Base

- o B2-120-(B or G)-SB
- o B2-208-(B or G)-SB
- o B2-240-(B or G)-SB
- o B3-120-(B or G)-SB
- o B3-208-(B or G)-SB
- o B3-240-(B or G)-SB
- o B4-120-(B or G)-SB
- o B4-208-(B or G)-SB
- o B4-240-(B or G)-SB
- o B5-208-(B or G)-SB
- o B5-240-(B or G)-SB

Stainless Steel Well Models

- o B2-120-(B or G)-S-SB
- o B2-208-(B or G)-S-SB
- o B2-240-(B or G)-S-SB
- o B3-120-(B or G)-S-SB
- o B3-208-(B or G)-S-SB
- o B3-240-(B or G)-S-SB
- o B4-120-(B or G)-S-SB
- o B4-208-(B or G)-S-SB
- o B4-240-(B or G)-S-SB
- o B5-208-(B or G)-S-SB
- o B5-240-(B or G)-S-SB

Accessories:

- o Solid tray Shelf - Models **TTS-(2-5)**
- o Tubular Tray Rail - Models **TTR-(2-5)**
- o Dish Shelf Add-On (mount under tray shelf) - Models **TDS-(2-5)**
- o Stainless End Shelf - Model **BES-2**
- o Aluminum Spillage Pans - Model **SP-A**
- o Stainless Steel Spillage Pans - Model **SP-S**

Consult Factory for:

- Heat Lamp Assembly
- Fluorescent Light Assembly



B4-120-G-SB

Specifications

TOP: 20 gauge #302 stainless steel with die stamped pan openings. (11.875" x 20.062")

BODY: 20 gauge vinyl clad steel (Granite or Black)

BASE: 20 gauge vinyl clad steel with 4" casters

TRAY SHELF: 18 gauge stainless steel tray shelf drop down & 1 sided

LINING: 8" deep 22 gauge galvanized steel or #302 stainless steel lining (optional w/ -S suffix)

SNEEZE GUARD: 1/4" Lexan®

FINISH: Gray Granite (G) or Matte Black (B) vinyl clad steel.

Features

6' electrical cord with plug

Infinite control knobs

Indicator lights

Single phase wiring

500 Watt elements (120 volt)

750 Watt elements (208 volt)

1000 Watt elements (240 volt)

Fiberglass insulation between each compartment



Freight Class 85



3125 Trotters Parkway
Alpharetta, GA 30004
www.suprememetal.com

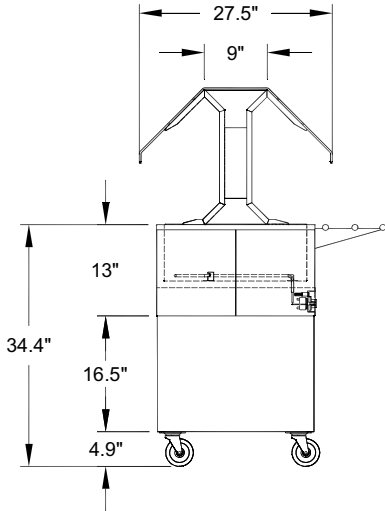
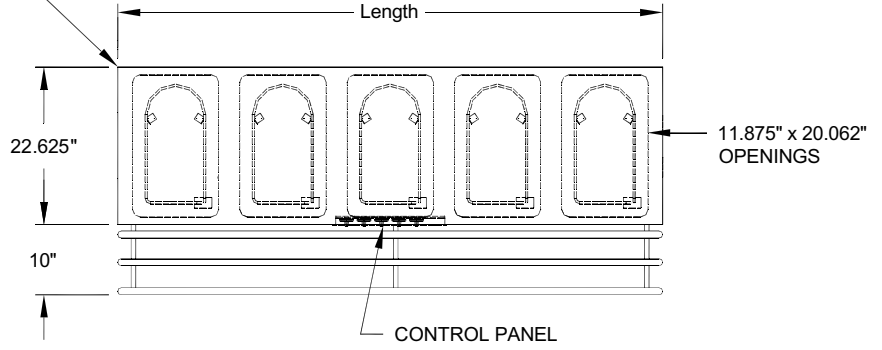
Toll Free: 800-645-2526
770-740-6000
Fax: 770-740-6010

KaTom Restaurant Supply, Inc.

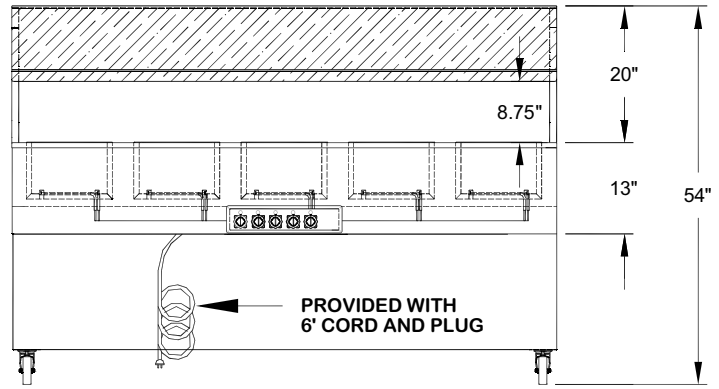


PLAN VIEW

VIEW WITHOUT OVERSHELF



SECTIONAL VIEW



ELEVATION VIEW

All dimensions are the same for the stainless steel wells option.

Model #	Length	# of Wells	Weight	Cubic Feet	NEMA Plug	True Amp Draw / Watts per Unit
B2-120-(G or B)-SB	A = 31- ¹³ / ₁₆ "	2	150	38.93	5-20P	8.34 / 1000
B3-120-(G or B)-SB	B = 47 ¹ / ₈ "	3	195	55.62	5-20P	12.5 / 1500
B4-120-(G or B)-SB	C = 62 ⁷ / ₁₆ "	4	245	73.41	L5-30P	16.67 / 2000
B2-208-(G or B)-SB	A = 31- ¹³ / ₁₆ "	2	150	38.93	6-20P	7.22 / 1500
B3-208-(G or B)-SB	B = 47 ¹ / ₈ "	3	195	55.62	6-20P	10.82 / 2250
B4-208-(G or B)-SB	C = 62 ⁷ / ₁₆ "	4	245	73.41	6-20P	14.43 / 3000
B5-208-(G or B)-SB	D = 77 ³ / ₄ "	5	300	90.10	L6-30P	18.03 / 3750
B2-240-(G or B)-SB	A = 31- ¹³ / ₁₆ "	2	150	38.93	6-20P	8.34 / 2000
B3-240-(G or B)-SB	B = 47 ¹ / ₈ "	3	195	55.62	6-20P	12.5 / 3000
B4-240-(G or B)-SB	C = 62 ⁷ / ₁₆ "	4	245	73.41	L6-30P	16.67 / 4000
B5-240-(G or B)-SB	D = 77 ³ / ₄ "	5	300	90.10	L6-30P	20.84 / 5000



NEMA PLUG 5-20P



NEMA PLUG 6-20P



NEMA PLUG L5-30P



NEMA PLUG L6-30P

We reserve the right to modify specifications in line with our policy of continuous product improvement.

© Supreme Metal 2005. Supreme Metal