



# STAINLESS STEEL Black Speed Rails



Item #: \_\_\_\_\_ Qty #: \_\_\_\_\_  
 Model #: \_\_\_\_\_  
 Project #: \_\_\_\_\_

## Black Powder Coated

- Black powder coated finish
- Keyhole Installation

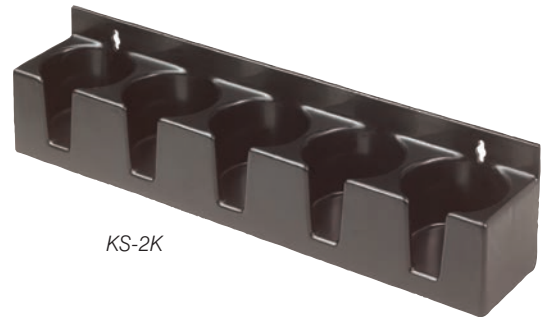
Model #	Length	Keyhole Distance (A)	Bottle Capacity	Approx. Weight
BB-2	22"	12 1/4"	5-6	5 lbs.
BB-3	34"	24 1/4"	9-10	6 lbs.



BB-2 Shown

## Black Plastic

- Injection molded black plastic
- Available with strap hangers or keyhole installation
- 6 per carton



KS-2K

Model #	Length	Keyhole Distance	Bottle Capacity	Carton Weight
KS-2K	23"	18"	5	12 lbs.

**OPTIONAL:**

**PR-STRAP:** Add stainless steel straps - one pair  
 (For KS-2K Only)



PR-STRAP Shown



Customer Service Available To Assist You 1-800-645-3166 8:30 am - 8:00 pm E.S.T.

For Orders & Customer Service:  
 Email: customer@advancetabco.com or Fax: 631-242-6900

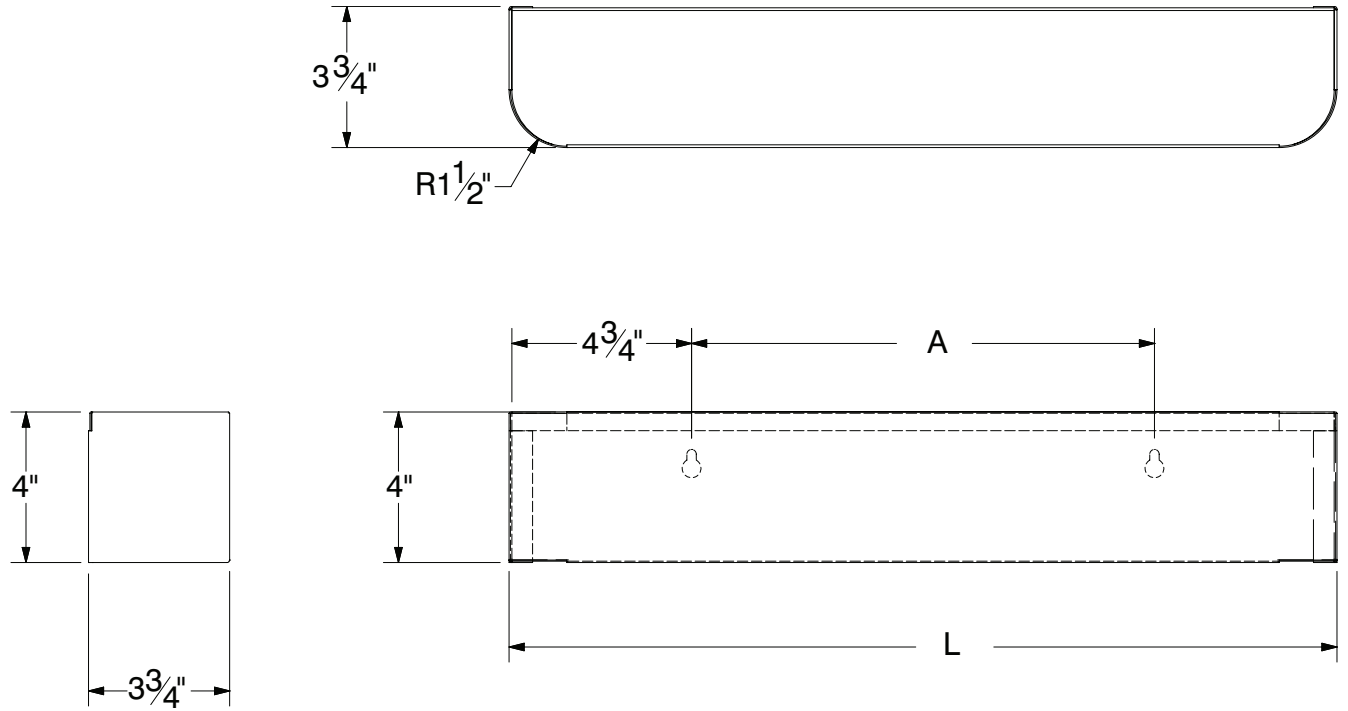
For Smart Fabrication™ Quotes:  
 Email: smartfab@advancetabco.com or Fax: 631-586-2933

# DIMENSIONS and SPECIFICATIONS

TOL Overall:  $\pm .500"$  Interior:  $\pm .250"$

ALL DIMENSIONS ARE TYPICAL

## BB Series



## KS-2K Series

