



STAINLESS STEEL Ice Bin & Bottle Storage Combo Units 21" Wide



CRCI Series

Quick Pour Bottles
Not Included



Item #: _____ Qty #: _____
 Model #: _____
 Project #: _____



Optional Sliding
Stainless Steel Cover
Shown

FEATURES:

- 4" backsplash.
- 12" deep ice bin.
- Insulated storage bin(s) and ice bin.
- Welded partition between bins.
- Two removable injection molded 3-pack plastic bottle racks.
- Galvanized legs with adjustable plastic bullet feet.
- Adjustable galvanized side cross-bracing.
- Includes rear deck for extra storage.

MECHANICAL:

- 1" IPS drain (non-cold plate bin).
- 1/2" IPS drain (cold-plate bin)

**Bottle Racks Must Be Removed For NSF Compliance
And For Use With Optional Cover.**

MATERIAL:

- Ice Bin, Front Apron, Backsplash:** 22 gauge, 300 stainless steel
- Sides:** 20 gauge, 430 stainless steel
- Understructure:** 22 gauge galvaneal front/back; 11 gauge electrogalvaneal leg channel
- Legs:** 1 5/8" O.D. 18 gauge, galvanized steel with adjustable plastic bullet feet
- Ice Bin Insulation:** 2 lbs. density styrofoam

OPTIONAL:

- SU-10C** - 14" stainless steel leg upgrade
- SU-13** - 10-circuit cold plate upgrade (For -7 models only)
- SU-30** - Soda chase provision
- SU-40** - Prep unit for installation of speed rail
- SU-61** - Special sizing
- SSC-36** - Sliding cover for 36" ice bin
- SSC-48** - Sliding cover for 48" ice bin

Model #	(A)	(B)	(C)	# of Bottle Racks	Ice Bin Length	# of Independent Bins	Ice Bin Capacity*	Approx. Weight	Approx. Cu. Ft.
CRCI-36L or R	36"	30"	12"	2	24"	2	77/35 lbs.	82 lbs.	13
CRCI-48L or R	48"	42"	18"	2	36"	2	119/35 lbs.	95 lbs.	14
CRCI-48LR	48"	6"	24"	4	24"	3	35/77/35 lbs.	113 lbs.	15

With 7-Circuit Cold Plate

CRCI-36L-7 or R-7	36"	30"	12"	2	24"	2	77/35 lbs.	114 lbs.	14
CRCI-48L-7 or R-7	48"	42"	18"	2	36"	2	119/35 lbs.	127 lbs.	14
CRCI-48LR-7	48"	6"	24"	4	24"	3	35/77/35 lbs.	145 lbs.	15

*Reverse ice bin capacities for L or R models
 L and R indicate ice bin location on either left or right side. LR indicates ice bin is centered.



Customer Service Available To Assist You 1-800-645-3166 8:30 am - 8:00 pm E.S.T.

For Orders & Customer Service:
 Email: customer@advancetabco.com or Fax: 631-242-6900

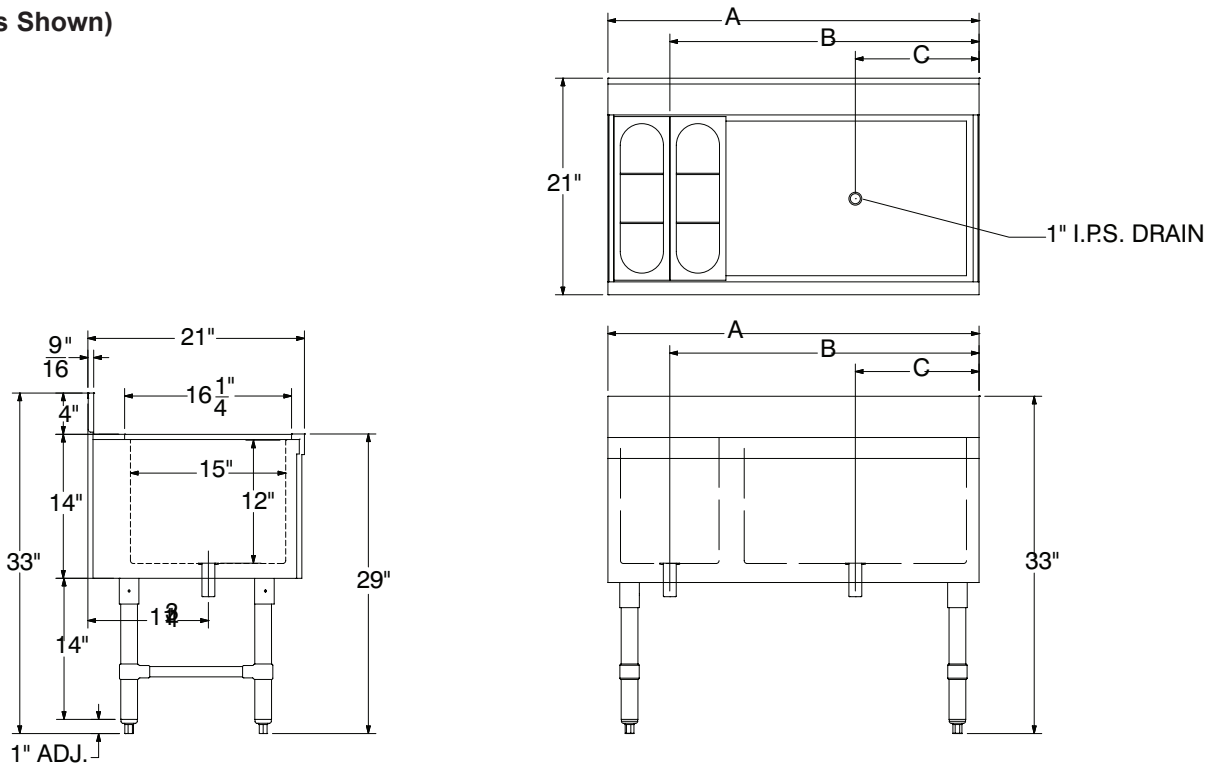
For Smart Fabrication™ Quotes:
 Email: smartfab@advancetabco.com or Fax: 631-586-2933

DIMENSIONS and SPECIFICATIONS

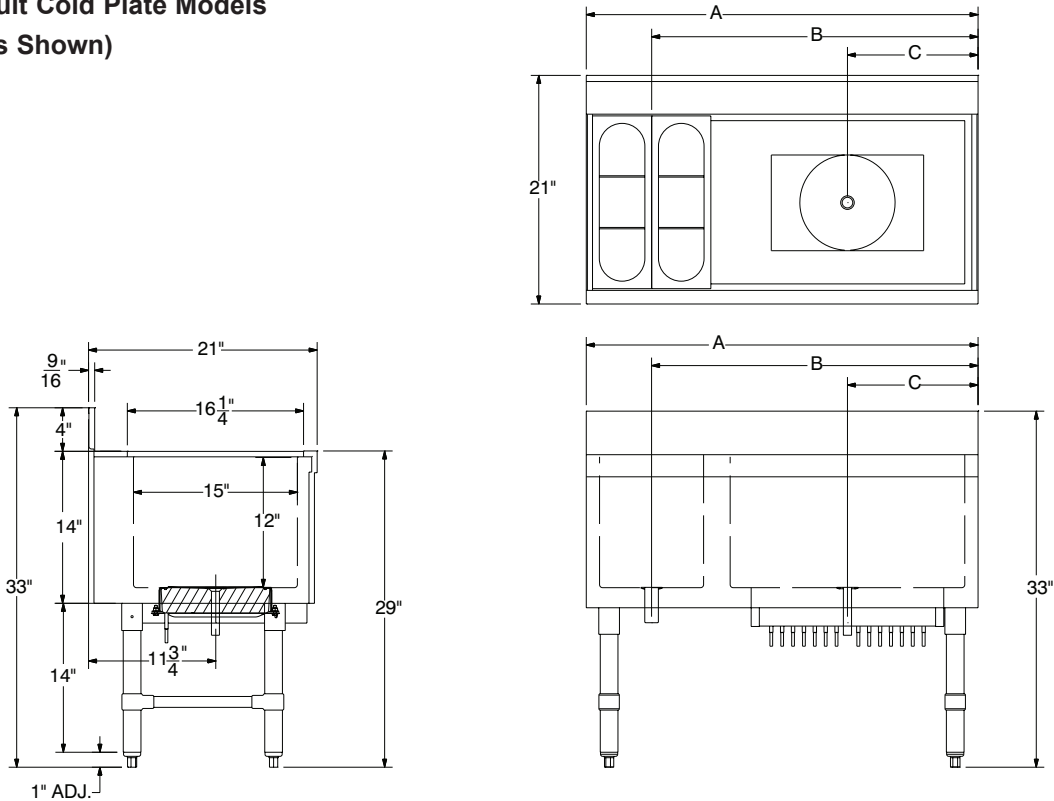
TOL Overall: $\pm .500"$ Interior: $\pm .250"$

ALL DIMENSIONS ARE TYPICAL

Non-Cold Plate Models (-R Series Shown)



w/ 7-Circuit Cold Plate Models (-R Series Shown)



ADVANCE TABCO is constantly engaged in a program of improving our products. Therefore, we reserve the right to change specifications without prior notice.

© ADVANCE TABCO, SEPTEMBER 2015