

Portable Bars

Spec Sheet No.PB-1

5' MARQUIS PORTABLE BAR

Job Name _____

Item # _____



◦ M-B

Options:

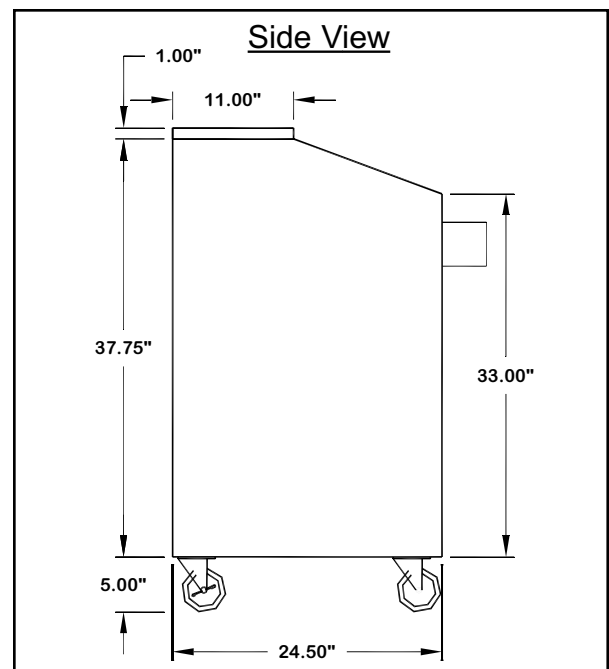
- Upgrade to stainless steel speed rails- 2ea. **BK-2's**
- Upgrade to double tier stainless steel speed rails- 2ea. **DT-2's**



M-B Shown.

Specifications

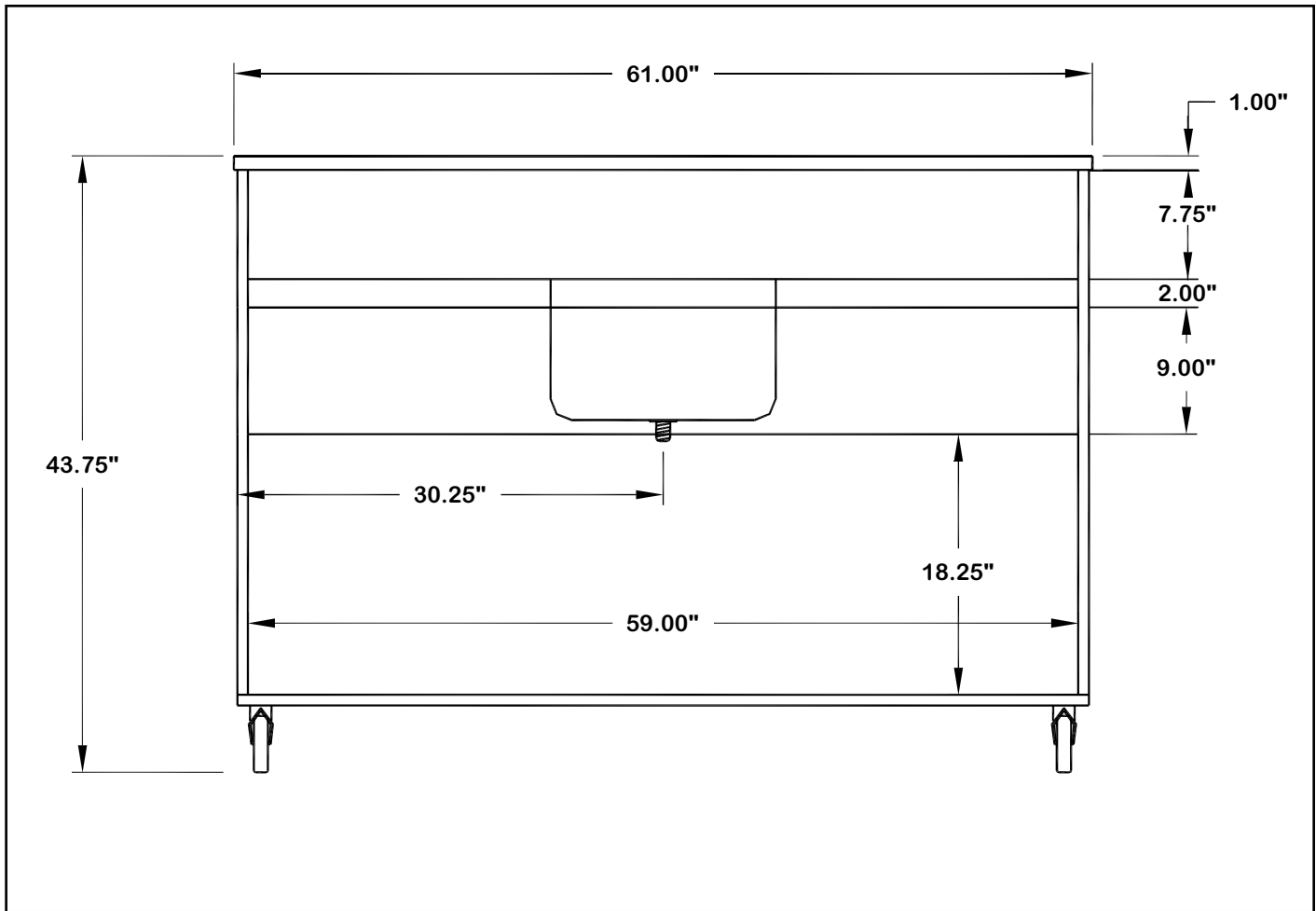
- **Construction:** Laminated melamine top and body in a Black finish.
- **Work Area:** ABS plastic molded work top.
- **Ice Bin:** 14" x 20" x 10" deep drawn bin, complete with drain and shut-off valve.
- **Casters:** 4 ea. 4" swivel casters (2 ea locking)
- **Accessories :** 2 ea. KS-2K black plastic speed rails and towel ring.
- **Shipping Weight :** 200 lbs.



Portable Bars



M-B Marquis Portable Bar



Toll Free: 800-645-2526
770-740-6000
Fax: 770-740-6010

3125 Trotters Parkway
Alpharetta, GA 30004
www.suprememetal.com

We reserve the right to modify specifications in line
with our policy of continuous product improvement.

© Supreme Metal 2005.  Supreme Metal