



PRESTIGE
Signature Series



PASS-THRU WORKSTATIONS

with Double Deep Drawn Bowls



PR-44X42SP-10-L Shown

Item #: _____ Qty #: _____
 Model #: _____
 Project #: _____

Featuring **Deep Drawn Seamless Bowls**



Recessed 15A - 120V Duplex Receptacle Located Beneath Blender Shelf



FEATURES:

- Double **Deep Drawn** sink bowls.
- K-51 Deck mounted swing spout faucet
- Insulated ice bin with 10-Circuit cold plate sealed into the bottom of Ice Bin.
- Tubing chase for soda gun
- Blender shelf with recessed duplex outlet located underneath shelf.
- Double tier speed rail
- Stainless steel legs with adjustable stainless steel bullet feet and adjustable side cross-bracing.

SIDE PANEL MODELS (SP Series)

- Side Panels with perforated drainboard shelf.
- Front Apron.
- Supported by side panels (legs not provided).

MATERIAL:

- Sink Bowl, Sides, Ice Bin & Blender Shelf:** 20 gauge, 300 stainless steel
- Front Apron:** 22 gauge, 300 stainless steel
- Speed Rail:** 22 gauge rail, 16 gauge sides, 300 stainless steel
- Cold Plate:** Cast aluminum with 10 circuits sealed into the bottom
- Legs:** 1 5/8" O.D. 18 gauge, stainless steel with adjustable stainless steel bullet feet and side cross-bracing
- Insulation:** 2 lb. density foam-in-place
- SIDE PANEL MODELS (SP Series)**
- Side Panels & Overshelf:** 18 gauge, 300 stainless steel
- PLUMBING:**
- Faucet:** 4" O.C. K-51 deck mount swing spout faucet
- Faucet meet federal lead free standards**
- Sink Bowl:** 1-1/2" IPS, 3-1/2" basket drain
- Ice Bin:** 1/2" IPS drain

Model #	O.A. L x W	A	Sink Bowl Size	Ice Capacity	Approx. Weight	Approx. Cu. Ft.
PR-42x30-10-L or R	42" x 40"	30"	9" x 9" x 4 1/2"	70 lbs.	250 lbs.	38
PR-42x42-10-L or R	42" x 52"	42"	9" x 9" x 4 1/2"	174 lbs.	400 lbs.	58
SIDE PANELS WITH PERFORATED DRAINBOARD SHELF						
PR-44x30SP-10-L or R	44" x 40"	30"	9" x 9" x 4 1/2"	70 lbs.	350 lbs.	59
PR-44x42SP-10-L or R	44" x 52"	42"	9" x 9" x 4 1/2"	174 lbs.	575 lbs.	59

Dual Soda Gun Holder

- Openings for a single soda gun on each end
- Fits Prestige® Pass-Thru Workstations Only

MODEL # SU-43
Factory Installed Only

NOTE: To determine left or right hand model, Ice Bin is either **Left (L)** or **Right (R)** of the sink from the bartender side.

OPTIONAL OVERSHELF FOR PASS-THRU WORKSTATIONS

(For SP Models Only)

- Removable perforated pan. 20 gauge, 300 stainless steel.
- Stainless steel tubular legs.

Units with Glass Rack: 18 gauge, 302 stainless steel.

Model #	O.A. L x W	Description	Approx. Weight	Approx. Cu. Ft.
PRSO-44	44" x 16 3/4"	Single Overshelf	65 lbs.	5
PRSO-44-G	44" x 16 3/4"	Single Overshelf w/ Stemware Glass Rack	85 lbs.	5
PRDO-44	44" x 16 3/4"	Double Overshelf	125 lbs.	17
PRDO-44-G	44" x 16 3/4"	Double Overshelf w/ Stemware Glass Rack	145 lbs.	17



Single Shelf



Double Shelf



Customer Service Available To Assist You 1-800-645-3166 8:30 am - 8:00 pm E.S.T.

For Orders & Customer Service:
 Email: customer@advancetabco.com or Fax: 631-242-6900

For Smart Fabrication™ Quotes:
 Email: smartfab@advancetabco.com or Fax: 631-586-2933

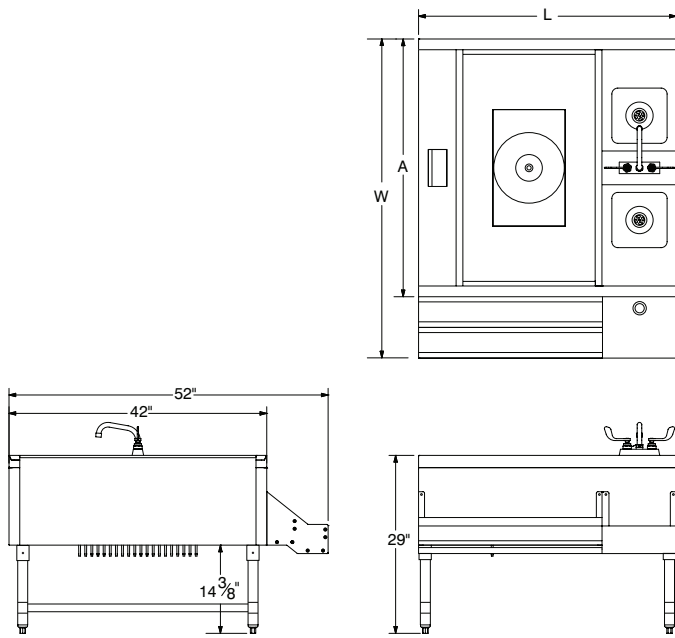
DIMENSIONS and SPECIFICATIONS

TOL Overall: ± .500" Interior: ± .250"

ALL DIMENSIONS ARE TYPICAL

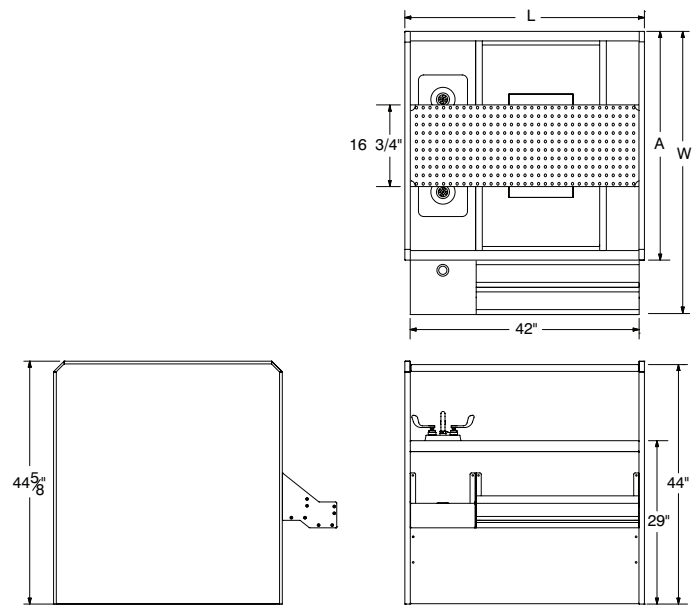
WITHOUT SIDE PANEL & OVERSHELF

Shown with optional wrist handles



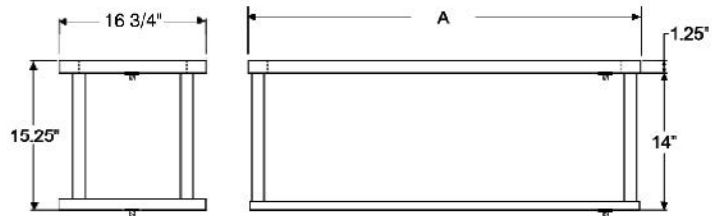
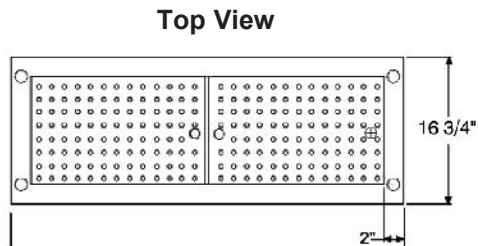
WITH SIDE PANEL & OVERSHELF

Shown with optional wrist handles



SINGLE OVERSHELF

(Not available for SP models)

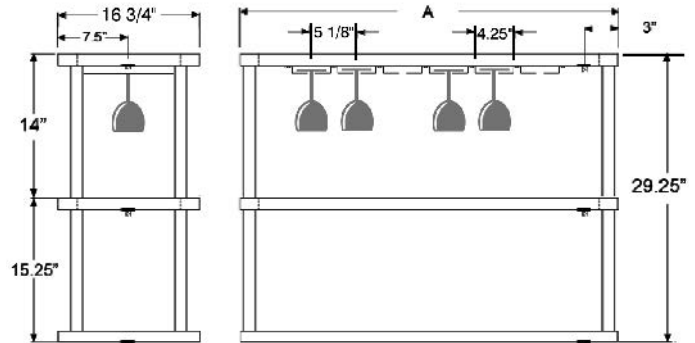
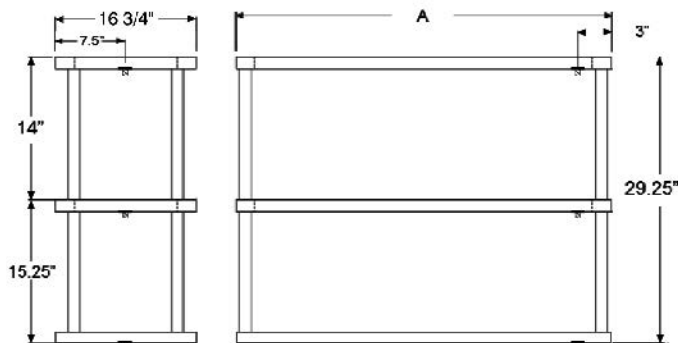


DOUBLE OVERSHELF

(Not available for SP models)

DOUBLE OVERSHELF WITH GLASS RACK SLIDES

(Available for SP models Only)



ADVANCE TABCO is constantly engaged in a program of improving our products. Therefore, we reserve the right to change specifications without prior notice.