



**P**RESTIGE  
*Signature Series*

**Ice Bins** NSF  
**20" and 25" Wide Units**



Shown With  
Optional  
Speed Rail



**FEATURES:**

- 10.178" or 14.178" deep ice bin.
- Two removable injection molded 3-pack plastic bottle racks.
- 1 3/4" return w/ soda gun knock-out.
- 7" Backsplash
- Stainless steel top, apron and sides.
- Optional 10-circuit cold plate sealed into bottom of ice bin.
- Adjustable side cross-bracing

**PRI-24 Series** has rear deck for extra storage.

**Units with Cold Plates** include a soda line chase at top of splash on right & left ends (For units without Cold Plates, add **Model # SU-30**).

**Bottle Racks Must Be Removed For NSF Compliance  
And For Use With Optional Cover.**

Item #: \_\_\_\_\_ Qty #: \_\_\_\_\_  
Model #: \_\_\_\_\_  
Project #: \_\_\_\_\_

**MECHANICAL:**

- 1" IPS drain - non cold plate bin
- 1/2" IPS drain - cold plate bin

**MATERIAL:**

20 gauge, 300 stainless steel

**Legs:** 1 5/8" O.D. 18 gauge, 300 stainless steel legs with 1" adjustable stainless steel bullet feet

**Cold Plate:** Cast aluminum with 10 circuits (8 syrup and 2 water lines) with 5/16" diameter stainless steel bump and swedge ends.

**Ice Bin Insulation:** 2 lbs. density foam-in-place

**OPTIONAL:**

- PRA-SSC-12** - Sliding cover for 12" ice bin
- PRA-SSC-24** - Sliding cover for 24" ice bin
- PRA-SSC-30** - Sliding cover for 30" ice bin
- PRA-SSC-36** - Sliding cover for 36" ice bin
- PRA-SSC-42** - Sliding cover for 42" ice bin
- PRA-SSC-48** - Sliding cover for 48" ice bin



Optional Sliding  
Stainless Steel  
Cover Shown

For More Accessories & Modifications, Visit Us At [www.advancetabco.com](http://www.advancetabco.com).

20" WIDE Model #	Approx. Weight	Approx. Cu. Ft.	25" WIDE Model #	Approx. Weight	Approx. Cu. Ft.	Overall Length (A)	Distance To Drain (B)	Inside Bin Width (C)	Ice Bin Depth	Ice Bin Capacity
PRI-19-12	40 lbs.	9	PRI-24-12	45 lbs.	11	12"	6"	9 5/8"	<b>11" DEEP</b>	32 lbs.
PRI-19-24	65 lbs.	9	PRI-24-24	70 lbs.	11	24"	12"	21 5/8"		70 lbs.
PRI-19-30	70 lbs.	14	PRI-24-30	75 lbs.	15	30"	15"	27 5/8"		89 lbs.
PRI-19-36	75 lbs.	14	PRI-24-36	80 lbs.	15	36"	18"	33 5/8"		108 lbs.
PRI-19-42	80 lbs.	19	PRI-24-42	85 lbs.	20	42"	21"	39 5/8"		127 lbs.
PRI-19-48	85 lbs.	19	PRI-24-48	90 lbs.	20	48"	24"	45 5/8"		146 lbs.
PRI-19-24-XD	80 lbs.	17	PRI-24-24-XD	85 lbs.	20	24"	12"	21 5/8"	<b>15" DEEP</b>	80 lbs.
PRI-19-30-XD	85 lbs.	23	PRI-24-30-XD	90 lbs.	27	30"	15"	27 5/8"		121 lbs.
PRI-19-36-XD	90 lbs.	23	PRI-24-36-XD	95 lbs.	37	36"	18"	33 5/8"		147 lbs.

**With 10-Circuit Cold Plate**

PRI-19-24-10	135 lbs.	15	PRI-24-24-10	140 lbs.	18	24"	12"	21 5/8"	<b>11" DEEP</b>	70 lbs.
PRI-19-30-10	140 lbs.	21	PRI-24-30-10	145 lbs.	24	30"	15"	27 5/8"		89 lbs.
PRI-19-36-10	145 lbs.	21	PRI-24-36-10	150 lbs.	24	36"	18"	33 5/8"		108 lbs.
PRI-19-42-10	150 lbs.	26	PRI-24-42-10	155 lbs.	31	42"	21"	39 5/8"		127 lbs.
PRI-19-48-10	155 lbs.	26	PRI-24-48-10	160 lbs.	31	48"	24"	45 5/8"		146 lbs.
PRI-19-24-10-XD	160 lbs.	17	PRI-24-24-10-XD	165 lbs.	20	24"	12"	21 5/8"	<b>15" DEEP</b>	80 lbs.
PRI-19-30-10-XD	165 lbs.	23	PRI-24-30-10-XD	170 lbs.	27	30"	15"	27 5/8"		121 lbs.
PRI-19-36-10-XD	170 lbs.	23	PRI-24-36-10-XD	175 lbs.	27	36"	18"	33 5/8"		147 lbs.



**Customer Service Available To Assist You 1-800-645-3166 8:30 am - 8:00 pm E.S.T.**

For Orders & Customer Service:  
Email: [customer@advancetabco.com](mailto:customer@advancetabco.com) or Fax: 631-242-6900

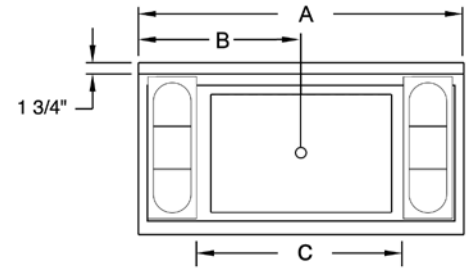
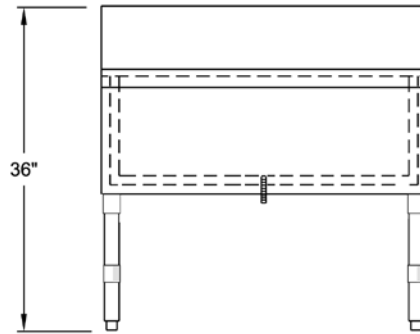
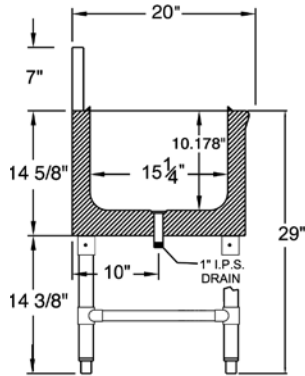
For Smart Fabrication™ Quotes:  
Email: [smartfab@advancetabco.com](mailto:smartfab@advancetabco.com) or Fax: 631-586-2933

# DIMENSIONS and SPECIFICATIONS

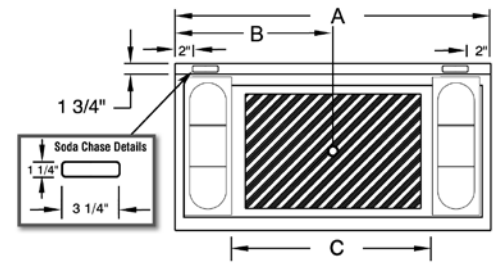
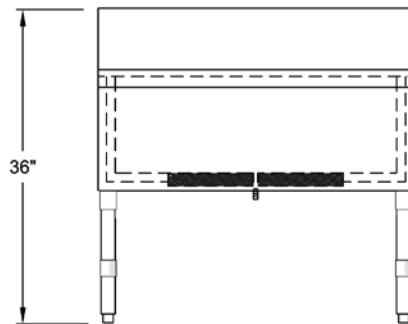
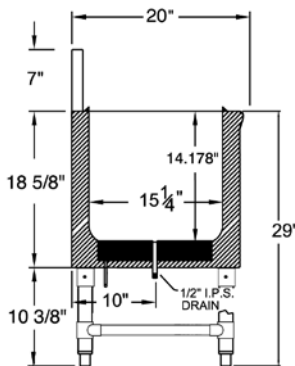
TOL Overall:  $\pm .500''$  Interior:  $\pm .250''$

ALL DIMENSIONS ARE TYPICAL

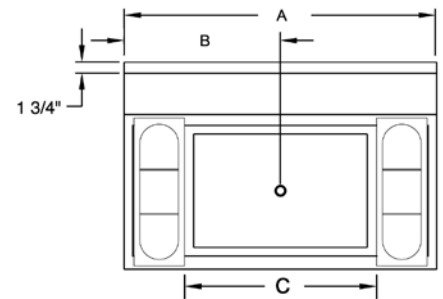
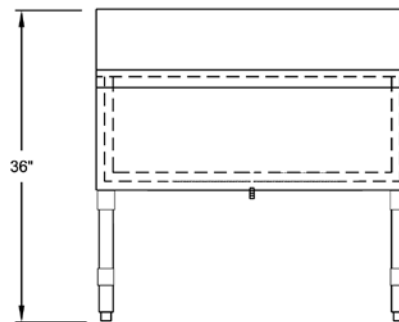
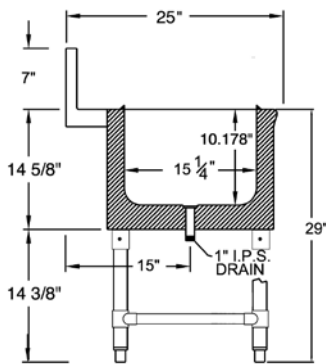
## PRI-19 Series



## PRI-19 Series With 10-Circuit Cold Plate (-XD Model Shown)



## PRI-24 Series



## PRI-24 Series With 10-Circuit Cold Plate (-XD Model Shown)

