



# PRESTIGE *Signature Series* Trash Receptacle Cabinets 25" Wide Units



PRSJT-12-DR



Item #: \_\_\_\_\_ Qty #: \_\_\_\_\_  
 Model #: \_\_\_\_\_  
 Project #: \_\_\_\_\_

**FEATURES:**

All stainless steel construction.  
 Helps keep bar area clean.  
 Open bottom with Hinged Door.  
 Accommodates Slim Jim® Trash Can measuring 11" x 20" x 25 (15 7/8 gallon capacity) - trash can not included.  
 Units mount between equipment line up.

**MATERIAL:**

20 gauge, 300 stainless steel



PRSJT-12

Model #	Size L x W x H	Approx. Weight	Approx. Cu. Ft.
---------	-------------------	-------------------	--------------------

**36" High Trash Receptacle Cabinet**

PRSJT-12-DR	12" x 25" x 36"	60 lbs.	9
-------------	-----------------	---------	---

**Trash Receptacle Cover**

PRSJT-12	12" x 25" x 19"	33 lbs.	4
----------	-----------------	---------	---



PRT-12

**FEATURES:**

All stainless steel construction.  
 Helps keep bar area clean.  
 Open bottom with Hinged Door.  
 Accommodates Slim Jim® Trash Can measuring 11" x 20" x 25 (15 7/8 gallon capacity) - trash can not included.  
 Units mount between equipment line up.  
 Removable stainless steel Sliding Cover.

**MATERIAL:**

20 gauge, 300 stainless steel

Model #	Size L x W x H	Approx. Weight	Approx. Cu. Ft.
---------	-------------------	-------------------	--------------------

**19" High Trash Receptacle Cabinet**

PRT-12*	12" x 25" x 19"	35 lbs.	4
---------	-----------------	---------	---



Customer Service Available To Assist You 1-800-645-3166 8:30 am - 8:00 pm E.S.T.

For Orders & Customer Service:  
 Email: customer@advancetabco.com or Fax: 631-242-6900

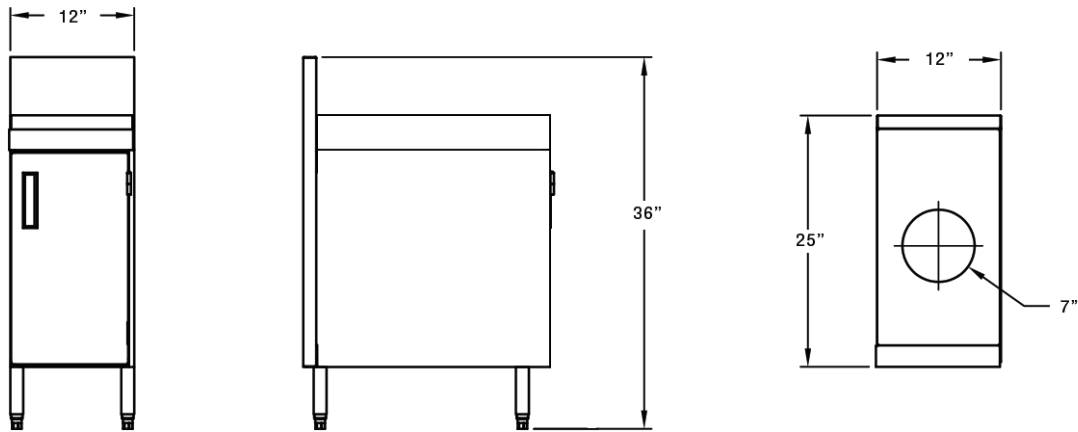
For Smart Fabrication™ Quotes:  
 Email: smartfab@advancetabco.com or Fax: 631-586-2933

# DIMENSIONS and SPECIFICATIONS

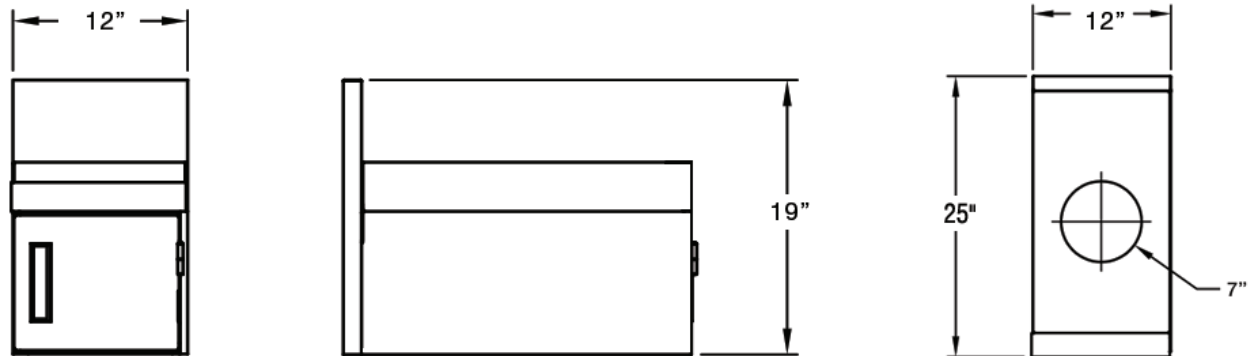
TOL Overall:  $\pm .500$ " Interior:  $\pm .250$ "

ALL DIMENSIONS ARE TYPICAL

## PRSJT-12-DR



## PRSJT-12



## PRT-12

