



STAINLESS STEEL Underbar Hand Sinks 18" and 21" Wide Units



SL-HS Series
18" Wide Units With
Splash Mount Faucets



CR-HS Series
21" Wide Units With
Deck Mount Faucets

Item #: _____ Qty #: _____
Model #: _____
Project #: _____

FEATURES:

- 29" Working Height
- 10" x 14" sink bowl.
- 4" backsplash.
- Includes four galvanized legs with adjustable plastic bullet feet.
- Adjustable galvanized side cross-bracing.
- CR-HS Series** has rear deck for extra storage

MECHANICAL:

- SL-HS Series:** Includes K-125 splash mount swing spout faucet.
- CR-HS Series:** Includes K-51 deck mount swing spout faucet.
- All faucets meet federal lead free standards.**
- 1" IPS drain

MATERIAL:

- Sink Bowl & Sides:** 20 gauge, 300 stainless steel
- Front Aprong & Backsplash:** 22 gauge, 300 stainless steel
- Legs:** 1 5/8" O.D. 18 gauge, galvanized steel with adjustable plastic bullet feet

OPTIONAL:

- A-15** - Chrome towel ring (packed loose)
- K-316-LU** - Add wrist handles
- SU-10A** - 18" stainless steel leg upgrade with cross-bracing
- SU-18R or L** - Right or left side splash for 18" wide sink
- SU-18RL** - Right and left side splash for 18" wide sink
- SU-21R or L** - Right or left side splash for 21" wide sink
- SU-21RL** - Right and left side splash for 21" wide sink
- SU-40** - Prep unit for installation of speed rail

For More Accessories & Modifications, Visit Us At www.advancetabco.com.

18" WIDE Model #	Approx. Weight	Approx. Cu. Ft.	21" WIDE Model #	Approx. Weight	Approx. Cu. Ft.	O.A. Length (A)	Drain Location (B)
SL-HS-12	24 lbs.	5	CR-HS-12	21 lbs.	5	12"	4 1/2"
SL-HS-15	25 lbs.	6	CR-HS-15	22 lbs.	6	15"	6"



Customer Service Available To Assist You 1-800-645-3166 8:30 am - 8:00 pm E.S.T.

For Orders & Customer Service:
Email: customer@advancetabco.com or Fax: 631-242-6900

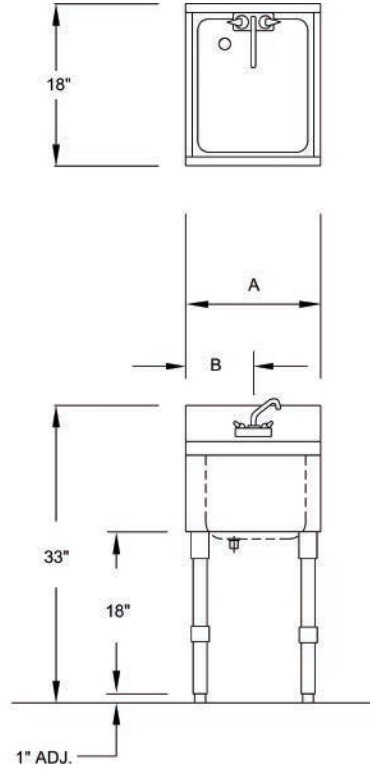
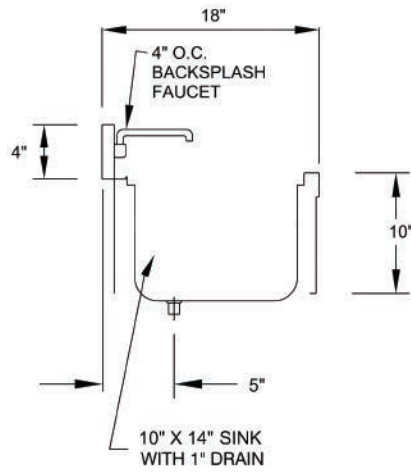
For Smart Fabrication™ Quotes:
Email: smartfab@advancetabco.com or Fax: 631-586-2933

DIMENSIONS and SPECIFICATIONS

TOL Overall: ± .500" Interior: ± .250"

ALL DIMENSIONS ARE TYPICAL

SL-HS Series



CR-HS Series

