



STAINLESS STEEL Blender Station With Dump Sink Includes Faucet • 23" and 26" Wide Units



Item #:	_____	Qty #:	_____
Model #:	_____		
Project #:	_____		



SL-RS Series
23" Wide Units With A
Splash Mount Faucet



CR-RS Series
26" Wide Units With A
Deck Mount Faucet



15A - 120V Duplex
Receptacle Hidden
Beneath Blender Shelf

FEATURES:

- Includes dump sink with faucet.
- 23" Wide Units** has a 9" x 9" x 4" Sink Bowl.
- 26" Wide Units** has a 10" x 14" x 10" Sink Bowl.
- Recess step with grommet hole for blender power cords.
- 15A - 120V duplex outlet hidden beneath shelf.
- Includes four galvanized legs with adjustable plastic bullet feet.
- 4" backsplash.
- CR-RS Series** has rear deck for extra storage

MATERIAL:

- Sink Bowl:** 20 gauge, 300 stainless steel
- Recess Step & Backsplash:** 22 gauge, 300 stainless steel
- Sides:** 16 gauge, 430 stainless steel
- Legs:** 1 5/8" O.D. 18 gauge, galvanized steel with adjustable plastic bullet feet

MECHANICAL:

- SL-RS Series:** Includes K-59 splash mount gooseneck faucet.
- CR-RS Series:** Includes K-52 deck mount gooseneck faucet.
- All faucets meet federal lead free standards.**
- 1" IPS drain
- 15A - 120V duplex receptacle

OPTIONAL:

- A-15** - Chrome towel ring (packed loose)
- K-316-LU** - Add wrist handles
- SU-10A** - 18" stainless steel legs with cross-bracing
- SU-24** - Connect underbar equipment
- SU-36** - Add liquid waste chute

NOTE: Blender Stations Can Not Accommodate A Speed Rail

23" WIDE Model #	Approx. Weight	Approx. Cu. Ft.	26" WIDE Model #	Approx. Weight	Approx. Cu. Ft.	Overall Length (L)
SL-RS-12	20 lbs.	6	CR-RS-12	21 lbs.	6	12"
SL-RS-18	21 lbs.	6	CR-RS-18	22 lbs.	6	18"



Customer Service Available To Assist You 1-800-645-3166 8:30 am - 8:00 pm E.S.T.

For Orders & Customer Service:
Email: customer@advancetabco.com or Fax: 631-242-6900

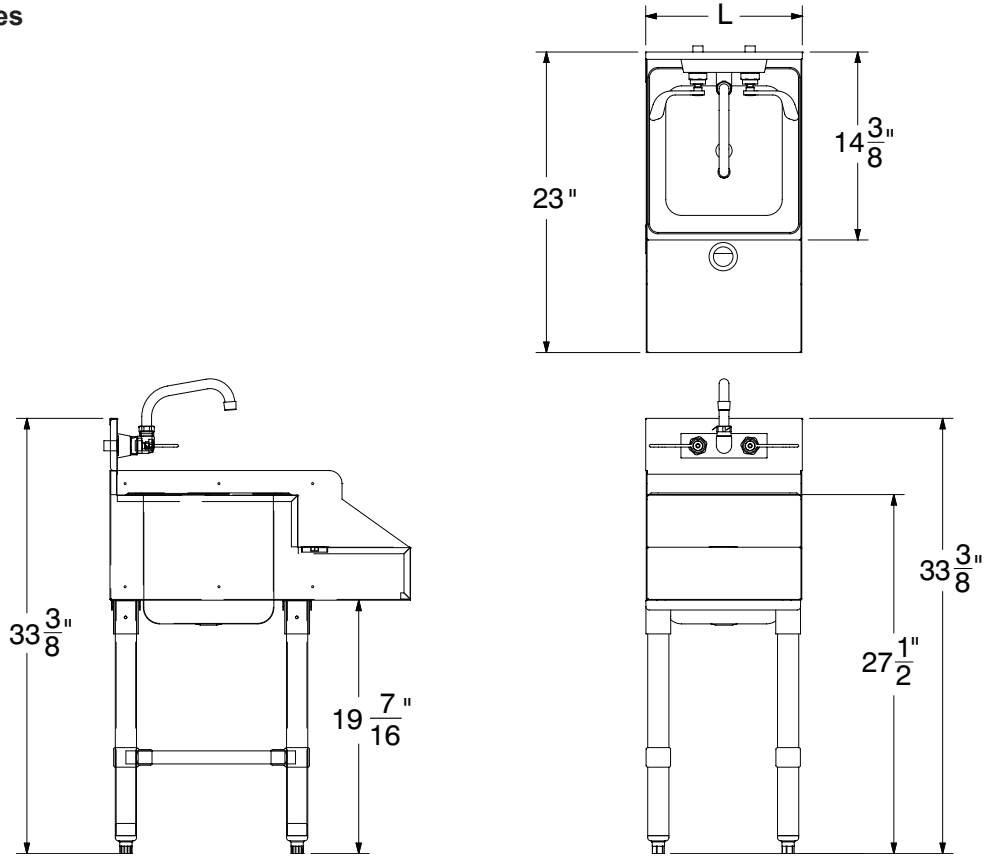
For Smart Fabrication™ Quotes:
Email: smartfab@advancetabco.com or Fax: 631-586-2933

DIMENSIONS and SPECIFICATIONS

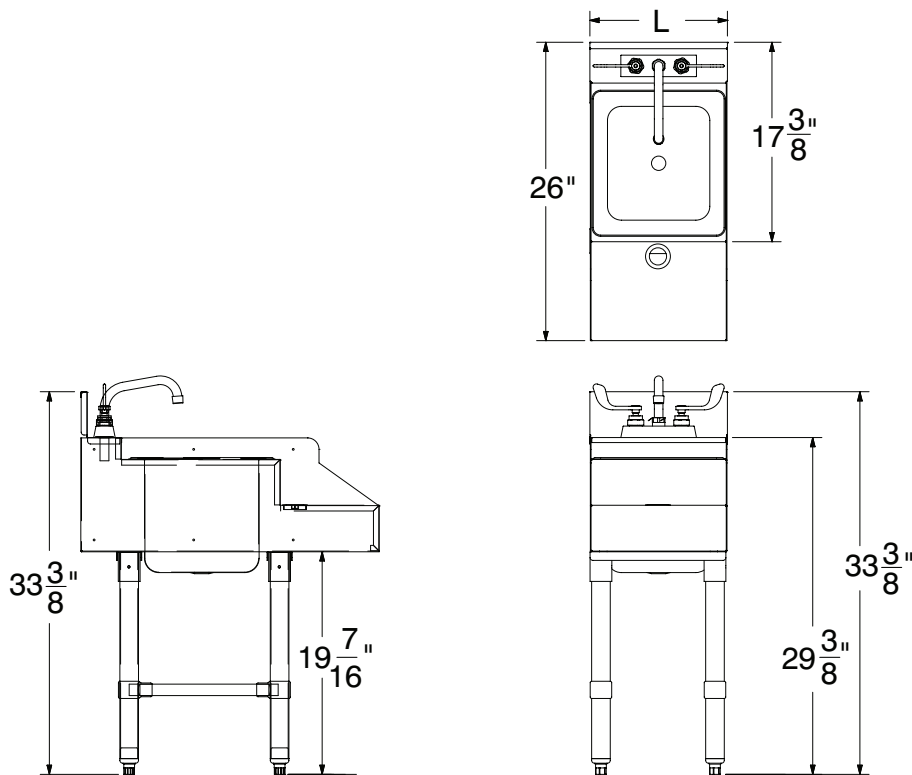
TOL Overall: ± .500" Interior: ± .250"

ALL DIMENSIONS ARE TYPICAL

SL-RS Series



CR-RS Series



ADVANCE TABCO is constantly engaged in a program of improving our products. Therefore, we reserve the right to change specifications without prior notice.