



SPILLAGE PANS



FEATURES:

For Steam Tables & Drop-In Units
 Heavy duty construction
 Can be used with optional Adapter Bars:

SU-45A: 12" x 1"

SU-45B: 20" x 3"



Adapter Bars # SU-45A Shown

Item #: _____ Qty #: _____
 Model #: _____
 Project #: _____

MATERIAL:

SP-A: 22 gauge Aluminum

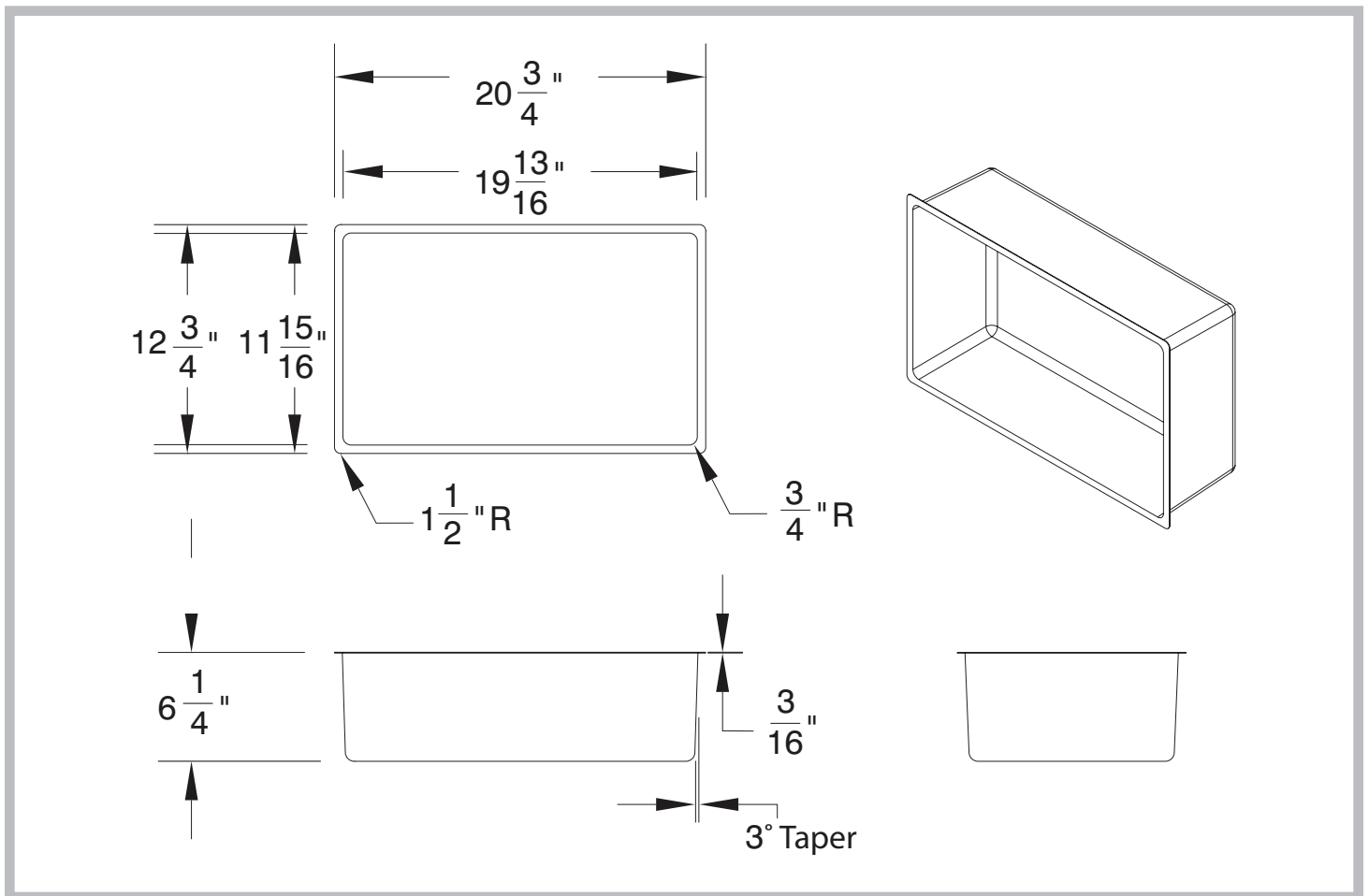
SP-S: 12 gauge, #304 stainless steel



DETAILS and SPECIFICATIONS

TOL Overall: ± .500" Interior: ± .250"

ALL DIMENSIONS ARE TYPICAL



www.advancetabco.com

Customer Service Available To Assist You 1-800-645-3166 8:30 am - 8:00 pm E.S.T.

For Orders & Customer Service:
 Email: customer@advancetabco.com or Fax: 631-242-6900

For Smart Fabrication™ Quotes:
 Email: smartfab@advancetabco.com or Fax: 631-586-2933