



# STAINLESS STEEL FOOD TABLE OVERSHELVES

## Single & Double Tier

Item #: _____ Qty #: _____
Model #: _____
Project #: _____



**STOS Series**



**TOS Series**

**FEATURES:**

All stainless steel construction.  
 Single and double tiers available.  
 Shelves are shipped K.D.  
 Tubular support brackets secure to underside of shelf  
**TOS Series:** Upper shelf secures to lower shelf with expander hardware (included)

**MATERIAL:**

18 gauge stainless steel

### SINGLE TIER OVERSHELVES

12" WIDE				18" WIDE			
MODEL	Size (W x L)	Weight	Cubic Feet	MODEL	Size (W x L)	Weight	Cubic Feet
STOS-2	12" x 31-13/16"	20 lbs.	3	STOS-2-18	18" x 31-13/16"	25 lbs.	3
STOS-3	12" x 47-1/8"	25 lbs.	4	STOS-3-18	18" x 47-1/8"	30 lbs.	4
STOS-4	12" x 62-3/8"	32 lbs.	5	STOS-4-18	18" x 62-3/8"	37 lbs.	5
STOS-5	12" x 77-3/4"	38 lbs.	6	STOS-5-18	18" x 77-3/4"	43 lbs.	6
STOS-6	12" x 93-1/8"	46 lbs.	6	STOS-6-18	18" x 93-1/8"	51 lbs.	6

### DOUBLE TIER OVERSHELVES

12" WIDE				18" WIDE			
MODEL	Size (W x L)	Weight	Cubic Feet	MODEL	Size (W x L)	Weight	Cubic Feet
TOS-2	12" x 31-13/16"	29 lbs.	3	TOS-2-18	18" x 31-13/16"	39 lbs.	3
TOS-3	12" x 47-1/8"	37 lbs.	4	TOS-3-18	18" x 47-1/8"	48 lbs.	4
TOS-4	12" x 62-3/8"	43 lbs.	5	TOS-4-18	18" x 62-3/8"	56 lbs.	5
TOS-5	12" x 77-3/4"	49 lbs.	6	TOS-5-18	18" x 77-3/4"	67 lbs.	6
TOS-6	12" x 93-1/8"	57 lbs.	6	TOS-6-18	18" x 93-1/8"	76 lbs.	6



**Customer Service Available To Assist You 1-800-645-3166 8:30 am - 8:00 pm E.S.T.**

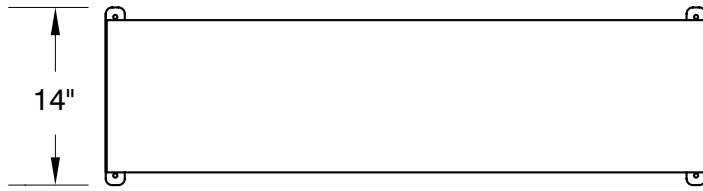
For Orders & Customer Service:  
 Email: customer@advancetabco.com or Fax: 631-242-6900

For Smart Fabrication™ Quotes:  
 Email: smartfab@advancetabco.com or Fax: 631-586-2933

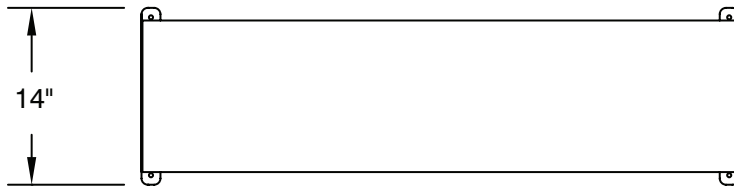
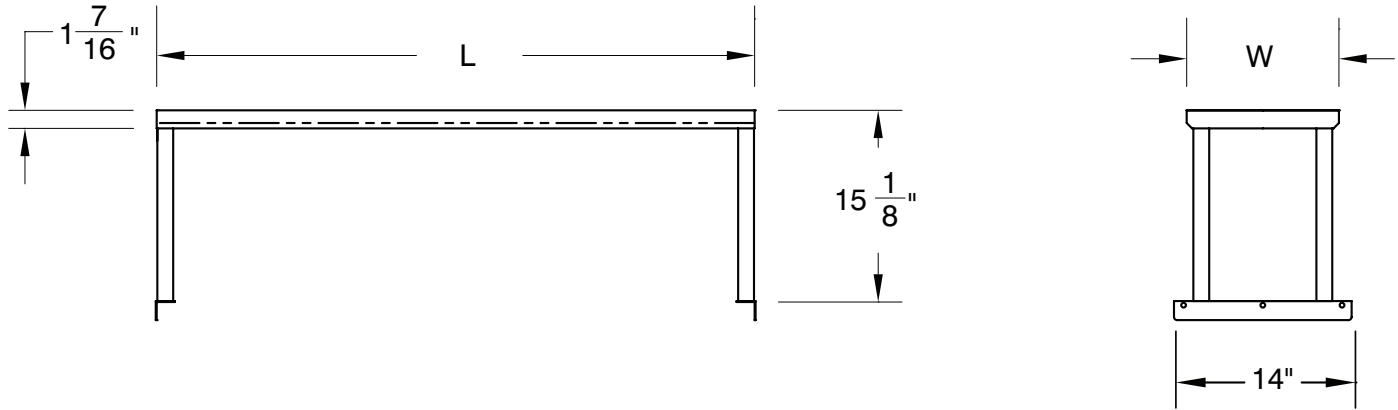
# DIMENSIONS and SPECIFICATIONS

TOL  $\pm .125"$

ALL DIMENSIONS ARE TYPICAL



## STOS SERIES



## TOS SERIES

