

CR2110

3.38" x 11.88" x 19.7" (H x W x D)

115V two-burner cooktop in black ceramic glass, made in Europe

Highlights:

Two-burner electric cooktop with 115V operation

Smooth black ceramic glass surface offers easy cleanup and modern style

Includes push-to-turn knobs and heat indicator light for safer use

Made in Europe



Smooth black surface made from Eurokera glass

Easy cleanup and elegant style on a smooth ceramic glass surface

Two heating elements

2 1200W burners, each with 6" diameter, manufactured for SUMMIT by E.G.O. of Germany, considered by many to be the finest in the world

115V operation

Fits standard wall outlets

Push-to-turn controls

Prevents accidents by requiring a small amount of force to turn on cooktop heat

Residual heat indicator light

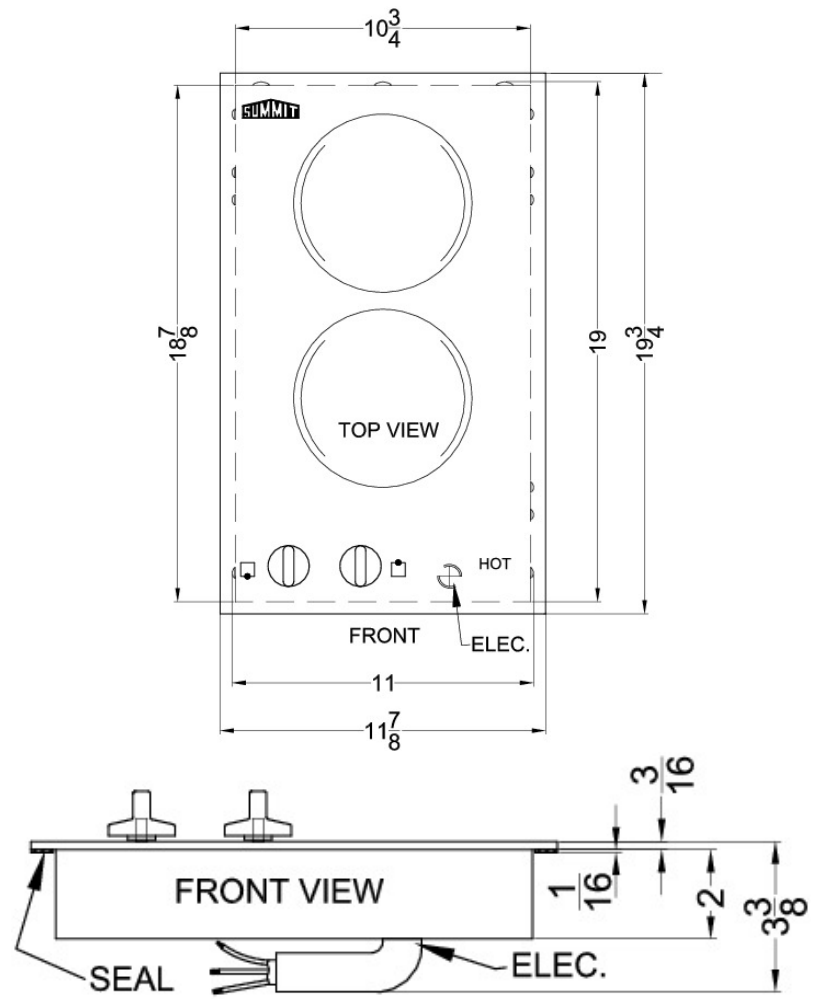
Indicates when surface is still hot to touch

Designed for built-in installation

Fits counter cutout sizes that are 11 1/8" wide by 19 1/8" deep

Specifications:

Cutout Height	3.38"
Cutout Width	11.13"
Cutout Depth	19.13"
Height	3.38"
Width	11.88"
Depth	19.7"
Shipping Weight	30.0 lbs.
Canadian Electrical Safety	ULC
Voltage/Frequency	115 V AC/60 Hz
US Electrical Safety	UL
Heating Type	Radiant
Number of Burners	2
Burner Type	Glasstop
Burner Temperature Control	Dial
Surface Type	Glass
Parts/Labor Warranty	1 Year



MODEL: CR2110
120V-60HZ 2400W MAX.

Summit Appliance Division, Felix Storch, Inc.
 770 Garrison Ave • Bronx, NY 10474
 Phone: 718-893-3900 • Fax: 718-842-3093
 Email: info@summitappliance.com