



CR424BL



3" x 24" x 20.5" (H x W x D)

24" wide 4-burner electric cooktop in smooth black ceramic glass finish

Highlights:

24" width is ideally sized for many hard-to-fill cutouts

Smooth black finish in Schott Ceran glass offers easy cleanup

Four 1200W burners made by E.G.O. in Germany

304 grade stainless steel trim adds durable support with professional style

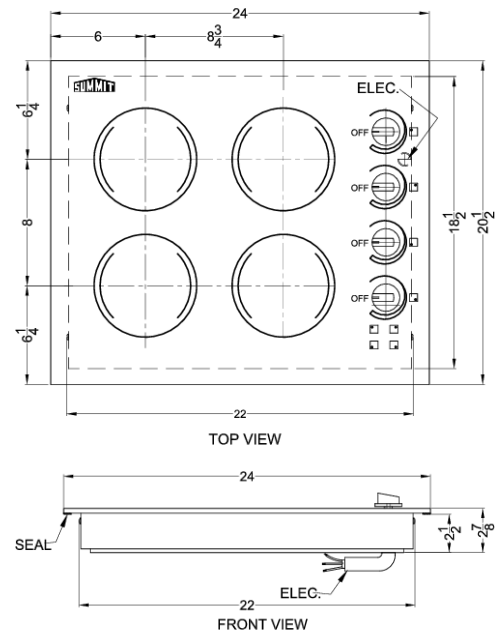
Product Features:

24" width	Designed to fit 22.13" W x 18.63" D cutouts
E.G.O. burners	Considered by many to be the industry's best cooking technology, this unit features four 1200W 6 1/2" burners made in Germany by E.G.O.
Schott Ceran surface	Smooth ceramic glass cooking surface in a sleek black finish
Push-to-turn knobs	Controls require a gentle push to help prevent cooking accidents
Stainless steel trim	Stainless steel border adds an extra touch of style
Indicator lights	Each burner includes an indicator light to show when the unit is on



CR424BL Specifications:

Overview	
Height	3.0"
Width	24.0"
Depth	20.5"
Cabinet	Black
US Electrical Safety	UL
Canadian Electrical Safety	ULC
Amps	21.0
Voltage/Frequency	220 V AC/60 Hz
Parts & Labor Warranty	1 Year
Electric Cooktop	
Heating Type	Radiant
Surface	Glass
Element Type	Glasstop
Number of Elements	4
controls	Dial
Countertop Cutout Height	2.5"
Countertop Cutout Width	22.13"
Countertop Cutout Depth	18.63"
Element #1 Size	6.5"
Element #1 Wattage	1200.0
Element #2 Size	6.5"
Element #2 Wattage	1200.0
Element #3 Size	6.5"
Element #3 Wattage	1200.0
Element #4 Size	6.5"
Element #4 Wattage	1200.0



SUMMIT APPLIANCE DIVISION FELIX STORCH, INC.

770 Garrison Avenue, Bronx, NY 10474 USA TEL 718-893-3900 FAX 844-478-8799

info@summitappliance.com



www.summitappliance.com