

TURBO•TEMP™ INDUCTION CHARGER



DX821 series
INDUCTION BASE

Item Numbers

Turbo•Temp Induction Charger

- DX1011208 (208V) 3-Phase

Bases for Induction System

- DX821003 - Onyx
- DX821008 - Hunter Green
- DX821031 - Latte
- DX821050 - Midnight Blue
- DX821061 - Cranberry
- DX821068 - Plum
- DX821084 - Sage

Drying & Storage Racks For Induction Bases

- DXIBDRS90 - Holds 90 Induction Bases
- DXIBDRS180 - Holds 180 Induction Bases
- DXIBDRS270 - Holds 270 Induction Bases

Replacement Cradle for Storage Rack

- DX10251

Application

The Ideal Induction Charging System for tray line meal delivery systems which requires 4-6 trays per minute and can be used for room service applications. The charging cycle is 10 seconds at nominal voltage.

Construction

The charger is manufactured in the United States and constructed with the main body of stainless steel and a heavy duty composite polymer surface. The charger is equipped with a microprocessor that performs unique automatic standby/shut-off functions, self diagnostics and incorporates a proprietary automatic sensor for use with Dinex® Induction Bases. A visible Information Center displays the portion of the charge that has been completed, user prompts, operational status and trouble conditions.

Standard Features

- Countertop design, stainless steel housing, heavy duty electronic components, and composite material top, engineered for use in commercial kitchens.
- User-friendly control buttons for ease of use and automatic power control.
- A visible display using LCD technology Information Center and an audible alert.
- Display easily converted to other languages. (French, Spanish, English)
- Automatic standby/shut-off feature.
- Easy-to-clean composite top surface.
- Integral cooling fan keeps internal electronics cool.
- 208V 3-Phase base cycle time approx. 10 seconds. *Note: Fluctuation in voltage may effect heating cycle time.*
- Space efficient 15.3" x 18.3".
- Washable filter.
- Internal surge protection.
- Twist lock plug- NEMA L15-20P.

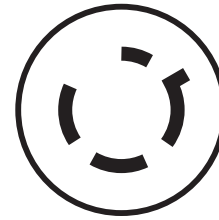
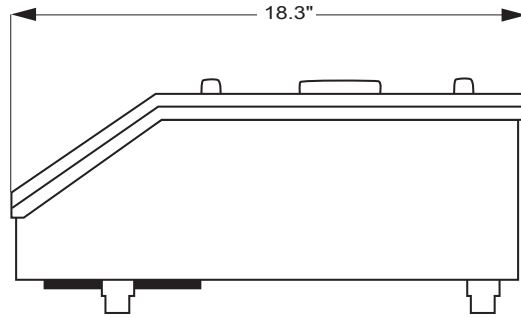
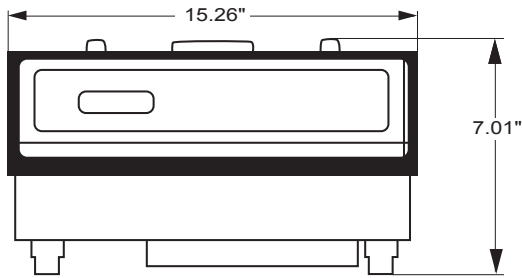
Turbo•Temp System

- Senses Dinex Smart Base automatically and gives the correct amount of energy to get correct temperature every time.
- Microprocessor monitors vital components and runs a performance check on average of 120 times per second. Charger shuts off automatically and displays error codes in plain text enabling user to diagnose or identify minor problems.
- Uses new, durable Dinex Induction Bases

Warranty

Two years parts and labor.

TURBO•TEMP INDUCTION CHARGER



NEMA L15-20P

Specifications

Item Number	Model Number	Overall Size			Electrical Specifications				Shipping Specs	
		W	D	H	Volts	AMPS	Watt	NEMA Number	Ship Weight	Ship Cube
DX1011208	1011208	15.3" (38.9cm)	18.3" (46.5cm)	7.01" (17.8cm)	208V 3-Phase	20	6500	L15-20P	26 lb.	1.6



Please confirm that you have the most current specification sheet by visiting www.dinex.com.
Dinex® reserves the right to change specifications and product design without notice.
Such revisions do not entitle the buyer to corresponding changes, improvements, additions or replacements for previously purchased equipment.

Printed in USA



4711 E. Hefner Road
Oklahoma City, OK 73131
800.654.8210 Fax: 405.475.5607
www.dinex.com

158-REV 11/10