

COLD FOOD COUNTER

DineXpress[®]



Counter options and laminate panels available. Stainless steel panels standard.

Application

These DineXpress NSF 7 Cold Food Counters are designed to maintain safe food temperatures and meet NSF 7 guidelines. Food pans are recessed on rails inside the pan for maximum cooling without use of ice. The versatile modular design allows you to custom design either a cafeteria or a buffet unit to fit your line-up, choosing only the options and accessories that you want and need. DineXpress units are compatible and will interlock with other DineXpress units.

Construction

General: Units have a 16-gauge 300 series stainless steel top with 1-1/2" turn down on all sides.

Front and end panels are constructed of 18-gauge stainless steel. These panels can be removed without use of tools.

The cold pan is 9-7/16" deep and pitched to a 1" drain with a shut-off valve. The stainless steel pan is separated from the top by means of full perimeter plastic breaker strips.

Corner Posts: The corner posts are constructed of 14-gauge stainless steel.

Casters: The unit is mounted on 5" diameter, heavy-duty, non-marking swivel casters, 2 are fitted with brakes.

Cold Storage Optional System: The under-counter can include a 1/2 or 1/3 condensing unit. The refrigerant is type 134A. This design assures that food temperatures are always at the safe level.

Electrical: 120 volt, 1-phase with a 10' cord and NEMA 5-15P plug on base unit.

Item Numbers

- DXDCF27
- DXDCF37
- DXDCF47
- DXDCF57
- DXDCF67

Options

- Tray slides
- Food protector guards
- Drop down work shelf
- In base cold storage system
- Formica laminate panels
- Duplex outlets
- Intermediate undershelf
- Hinged doors
- Acrylic tops
- Engineered stone tops
- Skirting
- Over head shelf
- Legs in lieu of casters

Warranty

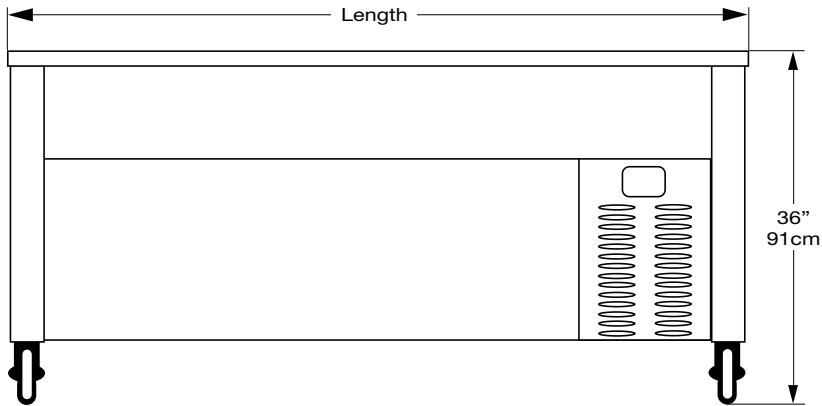
One year parts and labor.

DINEX[®]

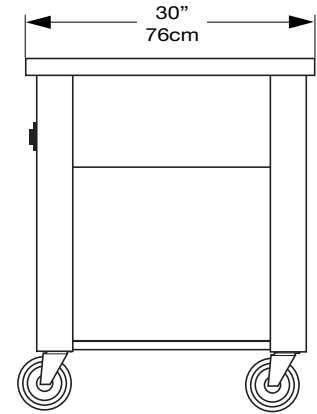
Building 2, Suite 106
628 Hebron Avenue
Glastonbury, CT 06033
800.523.9752 Fax: 860.652.3135
www.dinex.com

405-REV 01/10

COLD FOOD COUNTER



Front View



Side View



Items and Dimensions

ITEM NUMBER	MODEL NUMBERS	LENGTH	DEPTH	HEIGHT	SHIP WEIGHT	SHIP CUBE	HP	VOLTS	NEMA NUMBER
DXDCF27	DCF/27	35" (86cm)	30" (76cm)	36" (91cm)	455 lb. (206.6kg)	15.6	1/3	120v	5-15P
DXDCF37	DCF/37	49" (125cm)	30" (76cm)	36" (91cm)	525 lb. (238.1kg)	23.8	1/3	120v	5-15P
DXDCF47	DCF/47	63" (160cm)	30" (76cm)	36" (91cm)	595 lb. (270.0kg)	29.9	1/3	120v	5-15P
DXDCF57	DCF/57	77" (196cm)	30" (76cm)	36" (91cm)	675 lb. (306.5kg)	36.2	1/2	120v	5-15P
DXDCF67	DCF/67	91" (231cm)	30" (76cm)	36" (91cm)	745 lb. (338.0kg)	42.4	1/2	120v	5-15P

Note: Electrical specifications are for the base model only and subject to change pending options specified.



Please confirm that you have the most current specification sheet by visiting www.dinex.com.
 Dinex® reserves the right to change specifications and product design without notice.
 Such revisions do not entitle the buyer to corresponding changes, improvements, additions or replacements for previously purchased equipment.

Printed in USA



Building 2, Suite 106
 628 Hebron Avenue
 Glastonbury, CT 06033
 800.523.9752 Fax: 860.652.3135
www.dinex.com

405-REV 01/10