

CASHIER STAND

DineXpress®

Item Numbers

- DXDCS
- DXDCSD (with drawer)



Item Number: DXDCSD

Counter options and laminate panels available. Stainless steel panels standard.

Application

The DineXpress Cashier Stand is a comfortable workstation. All DineXpress counters are compatible and will interlock with all other DineXpress units.

Construction

Top: Top is constructed of 16-gauge 300 series stainless steel.

Exterior Front and End Panels: Front and end panels are constructed of 18-gauge stainless steel. These panels can be removed without use of tools.

Corner Posts: The corner posts are constructed of 14-gauge stainless steel.

Casters: Cashier Stands are mounted on four 5" swivel casters, 2 are fitted with brakes.

Options

- Duplex outlet
- Tray slides
- Formica laminate panels
- Acrylic tops
- Engineered stone tops
- Skirting
- Legs in lieu of casters

Warranty

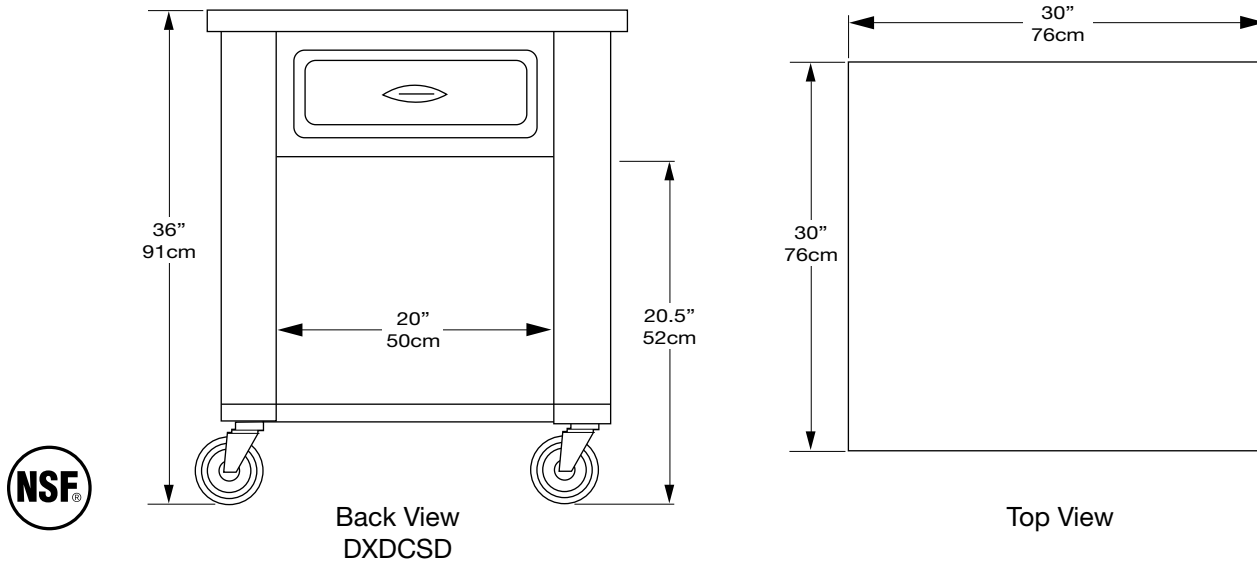
One year parts and labor.

DINEX®

Building 2, Suite 106
628 Hebron Avenue
Glastonbury, CT 06033
800.523.9752 Fax: 860.652.3135
www.dinex.com

402-REV 01/10

CASHIER STAND



Items and Dimensions

ITEM NUMBER	MODEL NUMBER	LENGTH	DEPTH	HEIGHT	CASTERS		SHIP WEIGHT	SHIP CUBE
					TYPE	DIAMETER		
DXDCS	DCS	30" (76cm)	30" (76cm)	36" (91cm)	4 swivel 2 w/ brakes	5"	160 lb. (72.5kg)	18.8
DXDCSD	DCSD	30" (76cm)	30" (76cm)	36" (91cm)	4 swivel 2 w/ brakes	5"	165 lb. (75kg)	18.8



Please confirm that you have the most current specification sheet by visiting www.dinex.com.
 Dinex® reserves the right to change specifications and product design without notice.
 Such revisions do not entitle the buyer to corresponding changes, improvements, additions or replacements for previously purchased equipment.

Printed in USA



Building 2, Suite 106
 628 Hebron Avenue
 Glastonbury, CT 06033
 800.523.9752 Fax: 860.652.3135
www.dinex.com

402-REV 01/10