

## FROST TOP COLD FOOD COUNTER

**DineXpress®**



Counter options and laminate panels available. Stainless steel panels standard.

### Application

These DineXpress Frost Top Cold Food Counters will help you present your food. The versatile modular design allows you to custom design either a cafeteria or a buffet unit to fit your line-up, choosing only the options and accessories that you want and need. DineXpress units are compatible and will interlock with other DineXpress units.

### Construction

**General:** Units have a 16-gauge 300 series stainless steel top with 1-1/2" turn down on all sides.

Front and end panels are constructed of 18-gauge stainless steel. These panels can be removed without use of tools.

The Frost top has a 1" recessed well and a 1" drain with a shut-off valve. The stainless steel pan is separated from the top by means of full perimeter plastic breaker strips.

**Corner Posts:** The corner posts are constructed of 14-gauge stainless steel.

**Casters:** The unit is mounted on 5" diameter, heavy-duty, swivel casters with non-marking rubber tires, 2 are fitted with brakes.

**Cold Storage Optional System:** The under-counter can include a 1/3 or 1/2 condensing unit. The refrigerant is type 134A. This design assures that food temperatures are always at the safe level.

**Electrical:** 120 volt, 1-phase with a 10' cord and NEMA 5-15P plug.

### Item Numbers

- DXDFT2
- DXDFT3
- DXDFT4
- DXDFT5
- DXDFT6

### Options

- Tray slides
- Food protector guards
- Drop down work shelf
- In base cold storage system
- Formica laminate panels
- Duplex outlets
- Intermediate undershelf
- Hinged doors
- Acrylic tops
- Engineered stone tops
- Skirting
- Over head shelf
- Legs in lieu of casters

### Warranty

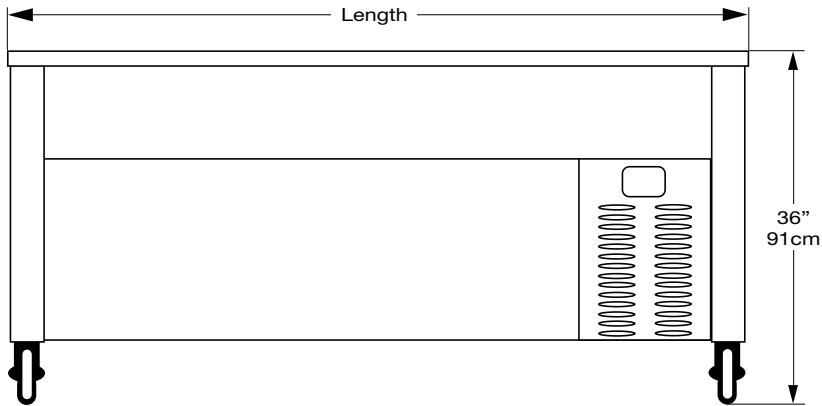
One year parts and labor.

# DINEX®

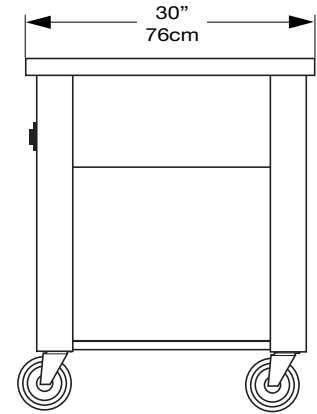
Building 2, Suite 106  
628 Hebron Avenue  
Glastonbury, CT 06033  
800.523.9752 Fax: 860.652.3135  
www.dinex.com

406-REV 01/10

# FROST TOP COLD FOOD COUNTER



Front View



Side View



## Items and Dimensions

ITEM NUMBER	MODEL NUMBERS	LENGTH	DEPTH	HEIGHT	SHIP WEIGHT	SHIP CUBE	HP	VOLTS	NEMA NUMBER
DXDFT2	DFT/2	35" (86cm)	30" (76cm)	36" (91cm)	290 lb. (131.7kg)	15.6	1/3	120V	5-15P
DXDFT3	DFT/3	49" (125cm)	30" (76cm)	36" (91cm)	330 lb. (149.8kg)	23.8	1/3	120V	5-15P
DXDFT4	DFT/4	63" (160cm)	30" (76cm)	36" (91cm)	370 lb. (168.0kg)	29.9	1/3	120V	5-15P
DXDFT5	DFT/5	77" (196cm)	30" (76cm)	36" (91cm)	410 lb. (186.1kg)	36.2	1/2	120V	5-15P
DXDFT6	DFT/6	91" (231cm)	30" (76cm)	36" (91cm)	450 lb. (204.3kg)	42.4	1/2	120V	5-15P

Note: Electrical specifications are for the base model only and subject to change pending options specified.



Please confirm that you have the most current specification sheet by visiting [www.dinex.com](http://www.dinex.com).  
Dinex® reserves the right to change specifications and product design without notice.  
Such revisions do not entitle the buyer to corresponding changes, improvements, additions or replacements for previously purchased equipment.

Printed in USA



Building 2, Suite 106  
628 Hebron Avenue  
Glastonbury, CT 06033  
800.523.9752 Fax: 860.652.3135  
[www.dinex.com](http://www.dinex.com)

406-REV 01/10