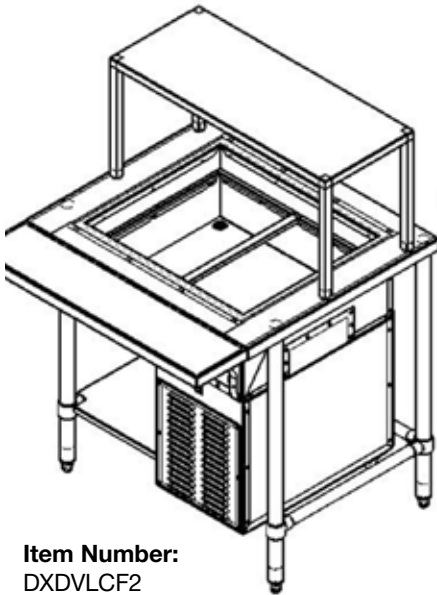


VALUE LINE COLD FOOD COUNTER

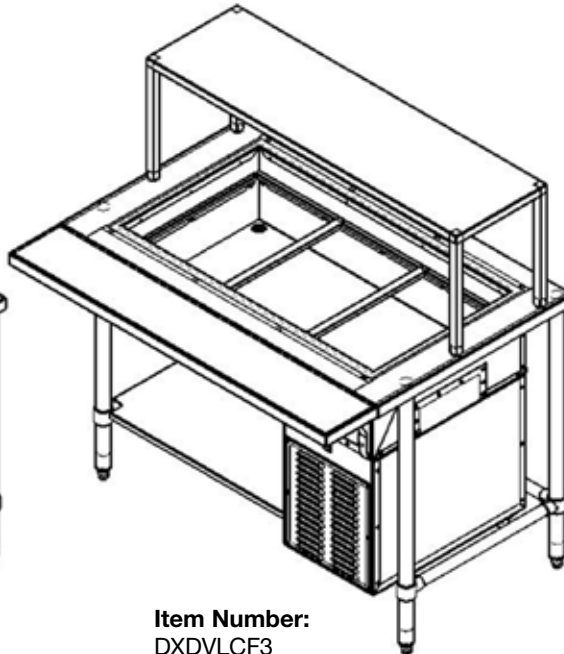
ValuXpress[®]

Item Numbers

- DXDVLCF2
- DXDVLCF3



Item Number:
DXDVLCF2
Shown with optional over head shelf and work shelf



Item Number:
DXDVLCF3
Shown with optional over head shelf and work shelf

Application

The ValuXpress Value Line Cold Food Counter offers an economical alternative to the way you present your food.

Construction

General: Units have a 16-gauge stainless steel top with 1-1/2" turn down on all sides. The legs are stainless steel. The Cold Food Counters have a 9-7/16" deep well and a 1" drain with a shut-off valve. The stainless steel pan is separated from the top by means of full perimeter plastic breaker strips.

Casters: The unit is mounted on adjustable feet as standard. Optional 5" diameter, heavy-duty, swivel casters two fitted with brakes are available.

Refrigeration System: The refrigeration system includes a 1/3 HP condensing unit. The refrigerant is type 134A. This design assures that food temperatures are always at the safe level.

Electrial: 120 volt, 1-phase with a 10' cord and NEMA 5-15P plug.

Options

- Overhead Shelf
- Work shelf
- Duplex Outlet
- Casters
- 3-Bar Tray slide
- Full Service Guard

Warranty

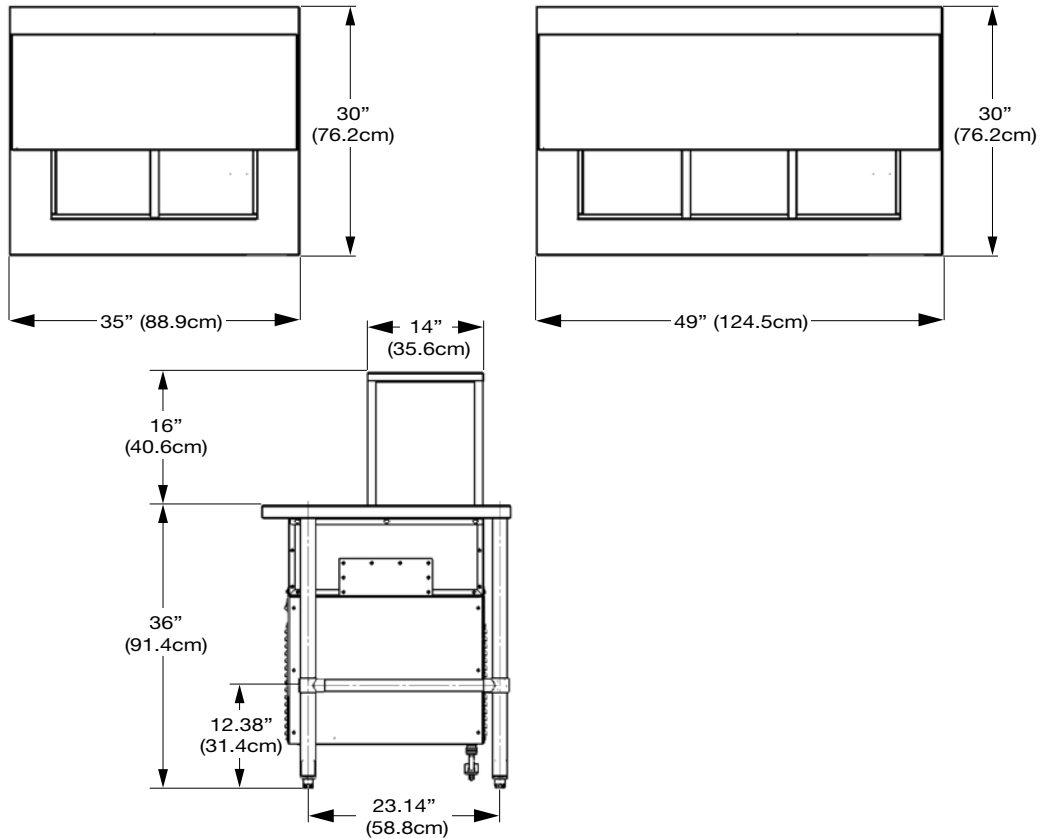
One year parts and labor.

DINEX[®]

Building 2, Suite 106
628 Hebron Avenue
Glastonbury, CT 06033
800.523.9752 Fax: 860.652.3135
www.dinex.com

451-REV 10/09

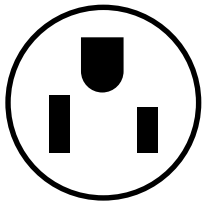
VALUE LINE COLD FOOD COUNTER



Items and Dimensions

ITEM NUMBER	MODEL NUMBER	LENGTH	DEPTH	HEIGHT	HP	VOLTS	NEMA NUMBER	SHIP WEIGHT
DXDVLCF2	DVLCF/2	35" (88.9cm)	30" (76.2cm)	36" (91.4cm)	1/3	120v	5-15P	145 lb. (65.8kg)
DXDVLCF3	DVLCF/3	49" (124.5cm)	30" (76.2cm)	36" (91.4cm)	1/3	120v	5-15P	190 lb. (86.2kg)

PLUG CONFIGURATION



NEMA 5-15P



Please confirm that you have the most current specification sheet by visiting www.dinex.com.
Dinex® reserves the right to change specifications and product design without notice.
Such revisions do not entitle the buyer to corresponding changes, improvements, additions or replacements for previously purchased equipment.

Printed in USA

DINEX®

Building 2, Suite 106
628 Hebron Avenue
Glastonbury, CT 06033
800.523.9752 Fax: 860.652.3135
www.dinex.com

451-REV 10/09