

CANTILEVER STYLE TRAY DISPENSERS



Item Numbers

- DXIDT1C1222
- DXIDT1C1321
- DXIDT1C1418
- DXIDT1C1520
- DXIDT1C1622
- DXMOCTD

Application

The self-leveling cantilever style tray dispensers can be found in tray lines, or any place your needs require.

Construction

The cantilever style tray dispenser is made of all-welded stainless steel construction and accepts trays on a stainless steel spring-loaded, self leveling carriage. Carriage is cantilevered to a vertical support on two arms and shall feature a bank of tension springs concealed inside the vertical support.

Spring tension for carriage is field adjustable without tools by hooking or unhooking springs to or from the carriage, providing proper dispensing level. Unit base features corner bumpers.

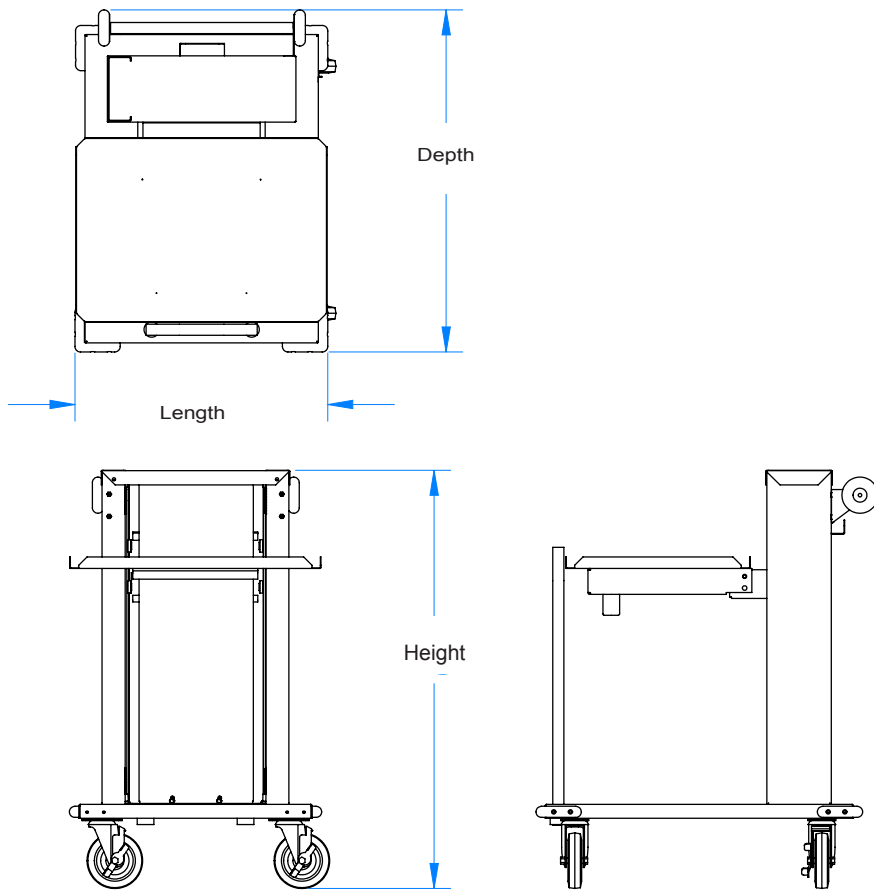
Removable SAFE "T" BAR included with the unit prevents loads from falling off tray platform and stores conveniently onto hook on rear of unit.

Four 5" heavy-duty non marking swivel caster (2 w/ brakes) are securely mounted to base.

Warranty

One years parts and labor.

CANTILEVER STYLE TRAY DISPENSERS



Items and Dimensions

ITEM NUMBER	MODEL NUMBER	LENGTH	DEPTH	HEIGHT	CASTERS		MAX TRAY SIZE	SHIP WEIGHT	SHIP CUBE
					TYPE	DIA.			
DXIDT1C1222	IDT1C/1222	22.75" (57.7 cm)	29.5" (74.8 cm)	37.75" (95.9 cm)	4 Swivel 2 w/brake	5"	12" x 22" (30.5 cm x 55.9 cm)	150 lb (68.0 kg)	15.0
DXIDT1C1321	IDT1C/1321	22.75" (57.7 cm)	29.5" (74.8 cm)	37.75" (95.9 cm)	4 Swivel 2 w/brake	5"	13" x 21" (33.0 cm x 53.3 cm)	150 lb (68.0 kg)	15.0
DXIDT1C1418	IDT1C/1418	22.75" (57.7 cm)	29.5" (74.8 cm)	37.75" (95.9 cm)	4 Swivel 2 w/brake	5"	14" x 18" (35.6 cm x 45.7 cm)	150 lb (68.0 kg)	15.0
DXIDT1C1520	IDT1C/1520	22.75" (57.7 cm)	29.5" (74.8 cm)	37.75" (95.9 cm)	4 Swivel 2 w/brake	5"	15" x 20" (38.1 cm x 50.8 cm)	150 lb (68.0 kg)	15.0
DXIDT1C1622	IDT1C/1622	22.75" (57.7 cm)	30.875" (78.4 cm)	37.75" (95.9 cm)	4 Swivel 2 w/brake	5"	16" x 22" (40.6 cm x 55.9 cm)	150 lb (68.0 kg)	15.0
DXMOCTD	MOC/TD	22.75" (57.7 cm)	30.875" (78.4 cm)	37.75" (95.9 cm)	4 Swivel 2 w/brake	5"	13.5" x 23" (34.3 cm x 58.4 cm)	150 lb (68.0 kg)	15.0



Please confirm that you have the most current specification sheet by visiting www.dinex.com.
 Dinex® reserves the right to change specifications and product design without notice.
 Such revisions do not entitle the buyer to corresponding changes, improvements, additions or replacements for previously purchased equipment.

Printed in USA



4711 E. Hefner Road
 Oklahoma City, OK 73131
 800.654.8210 Fax: 405.475.5607
www.dinex.com

040-CantileverTrayDispenser-0211