

## AIR CURTAIN REFRIGERATION SELF CONTAINED-BOTTOM MOUNTED SYSTEM



### Application

The Bottom-mounted Air Curtain refrigerator is ideal for any tray assembly line, such as in hospitals, flight kitchens, cafeteria's, and fast food establishment.

### Construction

Straight line modular styling with all seams turned in to eliminate raw edges.

### Base Frame

Base frame shall be constructed of 12-gauge stainless steel full depth bolsters with 1" x 1" 14 gauge stainless steel perimeter tube supports welded to bolsters.

### Cabinet Material

Cabinet shall be constructed of 304 20 gauge polished exterior wall and 24 gauge interior wall.

### Tray Slides

Heavy duty 18 gauge stainless steel angle slides fixed at 3" spacing. The tray slides incorporate the "NO TIP" feature. Accommodates 15 18" x 26" or 30 14" x 18" trays.

### Door

Glass doors are standard on this unit and the feature of being able to field reverse if your requirements change. This door features a full 270 degree door swing. Door mounted vinyl gasket with cabinet mounted breaker strip. Hinges shall be 12 gauge butt type hinges with 3/8" fixed pin. The DXIRAC15 has a 1" diameter stainless steel tubular push handle mounted on back with donut bumper.

### Thermometer

Digital LDG thermometer set flush with control panel Remote bulb senses cabinet operating temperatures.

### Casters

Casters shall be 4-swivel 6" Colson Performa plus 2 with brakes.

### Refrigeration System

Self contained evaporator coil and blower refrigerator system. This system includes 1/2 H.P. air cooled high torque condensing unit dual fan, horizontal air screen, 1/2 ton expansion valve, filter/dehydrator and large capacity electrical condensate evaporator. The DXIRAC15

### Item Number

DXIRAC15

uses the environmentally safe 134A, refrigerant. It operates on 120v, 1800 watt, 50/60 cycle single phase, 15.1 AMPS and comes standard with 10' 3 wire rubber cord with 3 prong grounding plug. NEMA 5-20P plug.

### Performance

The DXIRAC15 is capable of cooling the cabinet to approximately 34-40°. Approximate pull down time is 45 minutes. The DXIRAC15 maintains 34 to 40° air temperature in excess of 2 hours with the door open.

### Standard Features

- Glass door (stainless steel door also available)
- Black anodized door surround
- Field reversible doors
- Stainless steel heavy duty hinges
- Full 270° door swing
- One-piece self-adjusting magnetic gasket
- Digital LDG exterior thermometer
- Removable stainless steel tray slide panel
- "No tip" tray slides
- 6" (15cm) diameter "Performa" casters, 2 with brakes
- Non-marking Perimeter bumpers
- NEMA 5-20P cord & plug
- Stainless steel construction
- Rear mounted push handle with rubber donut bumpers
- Condensation automatically evaporates
- Energy efficient expansion value refrigeration system

### Warranty

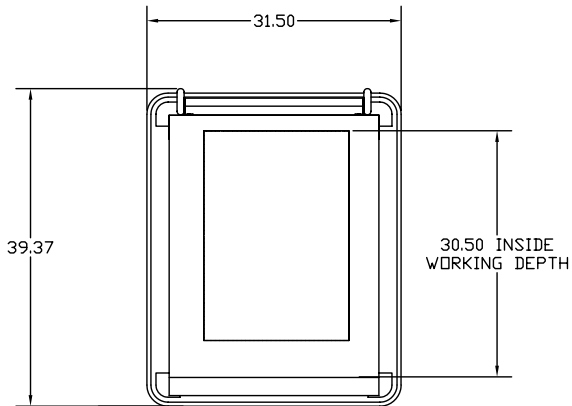
One year parts and labor.

# DINEX®

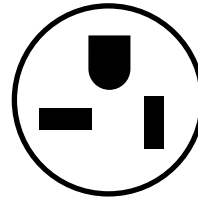
Building 2, Suite 106  
628 Hebron Avenue  
Glastonbury, CT 06033  
800.523.9752 Fax: 860.652.3135  
www.dinex.com

002-REV 10/09

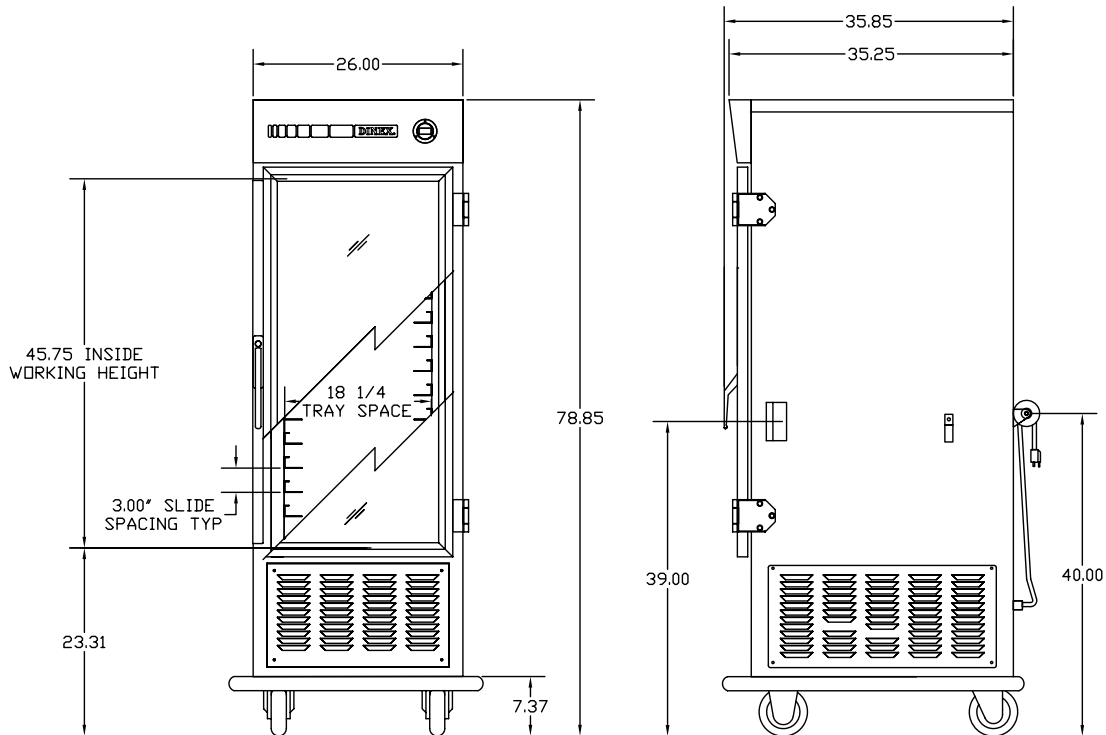
# AIR CURTAIN REFRIGERATION SELF CONTAINED-BOTTOM MOUNTED SYSTEM



## PLUG CONFIGURATION



NEMA 5-20P



## Items and Dimensions

ITEM NUMBER	MODEL NUMBER	LENGTH	DEPTH	HEIGHT	CASTERS		ELECTRICAL			SHIP WEIGHT	SHIP CUBE
					TYPE	DIA.	WATT	AMP	VOLTS		
DXIRAC15	IRAC15	31.50" (80cm)	39.37" (100cm)	78.85" (200.3cm)	4 Swivel 2 w/brakes	6" (15cm)	1800	15.1	120 50/60HZ	606.9 lb. (275.5kg)	58.3



Please confirm that you have the most current specification sheet by visiting [www.dinex.com](http://www.dinex.com).  
Dinex® reserves the right to change specifications and product design without notice.  
Such revisions do not entitle the buyer to corresponding changes, improvements, additions or replacements for previously purchased equipment.

Printed in USA

# DINEX®

Building 2, Suite 106  
628 Hebron Avenue  
Glastonbury, CT 06033  
800.523.9752 Fax: 860.652.3135  
[www.dinex.com](http://www.dinex.com)

002-REV 10/09