

## TRAY DELIVERY CARTS - ENCLOSED

Accommodates Perfect Temp Architectural Plastics Room Service Tray and Dinex Room Service Tray DXRST152003



### Item Numbers

DXPSC202D

DXPSC242D

DXPSC282D

DXPSC322D

### Pass Thru Model

DXPSCPT202D

DXPSCPT242D

DXPSCPT282D

DXPSCPT322D

### Application

The Value Line two door carts are designed for food tray delivery. The all stainless steel cart features fixed tray slides with 5-1/4" spacing. Two trays per slide.

### Construction

**General:** The Dinex cart is fabricated with 1" square tubing frame with welded 18-gauge pre-formed side panels/trays slides. The top, bottom and single panel door are constructed of 18-gauge stainless steel. The doors come standard with a recessed door pull and features magnets and transport latch to keep the door closed. The doors have a 270° swing with magnets to keep the door in the opened position.

**Casters:** Dinex exclusive silent soft tread 4-5" diameter casters 2-fixed 2-swivel with brakes.

### Standard Features

- All Stainless Steel
- Pull type door handle
- Transport latch and magnets
- Low profile
- Accommodates Dinex room service tray DXRST152003 and the Architectural Plastics room service tray
- Dinex exclusive silent soft tread casters

### Options

- Corner bumpers
- Wrap around bumpers\*
- Top rails
- Drains
- 6" & 8" caster upgrades
- Tow hitch

### Warranty

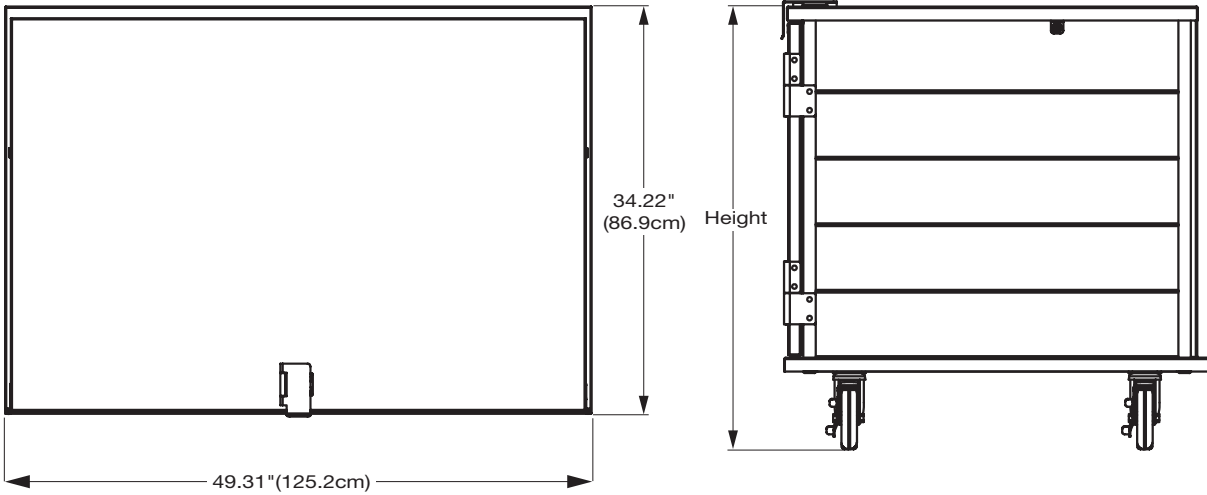
One year parts and labor.

\* Wrap around bumper option adds 2" (5cm) to the overall length and depth

**We do not accept returns on any Dinex equipment or Dinex custom products. Please contact your local Dinex rep to ensure order accuracy prior to ordering.**

# TRAY DELIVERY CARTS - ENCLOSED

Accommodates Perfect Temp Architectural Plastics Room Service Tray and  
Dinex Room Service Tray DXRST152003



## Items and Dimensions

ITEM NUMBER	MODEL NUMBER	LENGTH*	DEPTH*	HEIGHT	SHIP WEIGHT	SHIP CUBE	TRAY SPACING	TRAY CAPACITY
DXPSC202D DXPSCPT202D	PSC/202D PSCPT/202D	49.31" (125.2cm)	34.22" (86.9cm)	35.60" (90.4cm)	300 lb. (136kg) 310 lb. (141kg)	33	5.25"	20
DXPSC242D DXPSCPT242D	PSC/242D PSCPT/242D	49.31" (125.2cm)	34.22" (86.9cm)	40.95" (104.0cm)	320 lb. (145kg) 330 lb. (150kg)	38	5.25"	24
DXPSC282D DXPSCPT282D	PSC/282D PSCPT/282D	49.31" (125.2cm)	34.22" (86.9cm)	46.29" (117.6cm)	330 lb. (150kg) 340 lb. (154kg)	44.4	5.25"	28
DXPSC322D DXPSCPT322D	PSC/322D PSCPT/322D	49.31" (125.2cm)	34.22" (86.9cm)	51.64" (131.2cm)	340 lb. (154kg) 350 lb. (154kg)	49.25	5.25"	32

\* Wrap around bumper option adds 2" (5cm) to the overall length and depth



Please confirm that you have the most current specification sheet by visiting [www.dinex.com](http://www.dinex.com).  
Dinex® reserves the right to change specifications and product design without notice.  
Such revisions do not entitle the buyer to corresponding changes, improvements, additions or replacements for previously purchased equipment.

4711 E. Hefner Road  
Oklahoma City, OK 73131  
800.654.8210 | 405.475.5600  
[www.dinex.com](http://www.dinex.com)