



Outperform every day.™

**Project:**

**Item Number:**

**Quantity:**

**SIGNATURE SERVER® HOT/COLD FOOD STATIONS WITH STAINLESS STEEL COUNTERS**



Signature Server® Hot/Cold Food Station with Stainless Steel Counter

**FEATURES**

- Reinforced stainless steel unibody construction provides extra durability in a lightweight, mobile base
- Base is 18-gauge 400 series stainless steel clad with black laminate. Optional colors and finishes are also available.
- Top is one-piece 18-gauge 300 series stainless steel
- Optional 14 gauge work surface available
- Wells and pan opening constructed of 18-gauge 300 series stainless steel
- Energy efficient 625W heating elements
- Touch-temp electronic control
- High-density fiberglass insulation surrounds hot wells
- Foamed-in-place polyurethane insulation surrounds cold well
- R134A refrigerant
- Cold pan has 1" (2.5 cm) drain standard
- Separate drain hoses and valves on operator side of base
- Heavy-duty 4" (10 cm) swivel casters with brakes
- 8 ft. (2.4 m) cord
- Refrigerated models are not NSF
- Storage not available

**Note: Signature Server® equipment orders cannot be cancelled or returned.**

**WARRANTY:** All models shown come with Vollrath's standard warranty against defects in materials and workmanship. For full warranty details, please refer to [www.Vollrath.com](http://www.Vollrath.com).

**DESCRIPTION**

Signature Server® is the choice when functionality and modular ease of use are your top priorities. Signature Server® Serving Equipment is an industry standard, with updated features to better serve the operator.

**MODELS AND OPTIONS**

Base					Options			Breath Guards	Lighting	Accessories
Style	Length	Height / Item No			Color (Black is standard)					
		27 (69)	30 (76)	34 (86)	Matte Laminate	Wood Grain	Stainless Steel			
Non-Refrig	74"	36291	36191	37091	36682	36689	36695	<b>Choose from:</b> Progressive, Contemporary, Traditional, Classic Cafeteria, Classic Economy Buffet, Access® and Classic Speed Serve. <b>See Breath Guard spec sheets on vollrath.com for selection information.</b>	<b>Choose from:</b> Incandescent, infrared, or fluorescent lights. <b>See Breath Guard spec sheets on vollrath.com for selection information.</b>	<b>Choose from:</b> Plate rests, cutting boards, end shelf, tray slides, false bottoms, bag in box, stationary legs. <b>See Accessories spec sheet on vollrath.com for selection information.</b>
Refrig	(188)	36295	36195	37095						

*Use only Vollrath accessories, including breath guards. Vollrath is not responsible for the fit or installation of custom made accessories and components. Custom accessories and components may void agency listings.*

**Agency Certifications**



Refrigerated models are not NSF

Due to continued product improvement, please consult [www.vollrath.com](http://www.vollrath.com) for current product specifications.

Approvals	Date



Outperform every day.™  
[www.vollrath.com](http://www.vollrath.com)

The Vollrath Company, L.L.C.  
1236 North 18th Street  
Sheboygan, WI 53081-3201 U.S.A.  
Customer Service: 800.628.0830  
Canada Customer Service: 800.695.8560  
Main Fax: 800.752.5620 or 920.459.6573

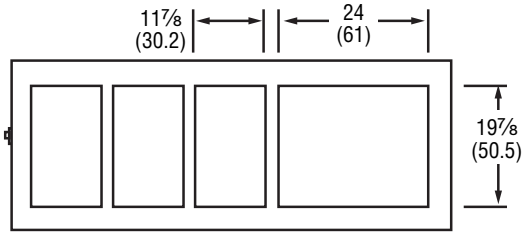
Technical Services: 800.628.0832  
Technical Services Fax: 920.459.5462

Signature Server® Hot/Cold Food Stations with Stainless Steel

The Vollrath Company, L.L.C.

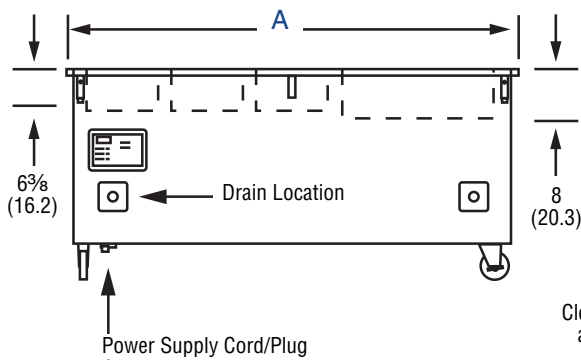
# SIGNATURE SERVER® HOT/COLD FOOD STATIONS WITH STAINLESS STEEL COUNTERS

## DIMENSIONS (Shown in inches (cm))

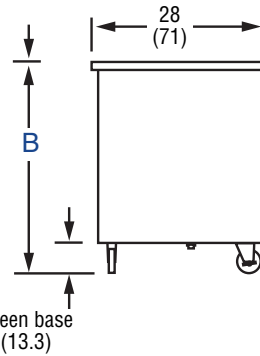


Top View

Item No.		(A)	(B)
Non-Refrig	Refrig	Length	Height
36291	36295	74 (188)	27 (69)
36191	36195		30 (76)
37091	37095		34 (86)



Operator Side View



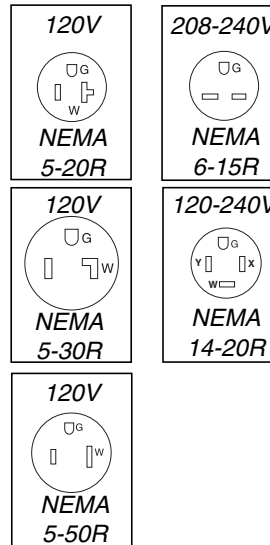
End View

For breath guard and accessory dimensions, see the breath guard and accessory spec sheets on [vollrath.com](http://vollrath.com)

## ELECTRICAL SPECIFICATIONS

Base Unit Voltage	Lighting Choice	Hot/Non-Refrigerated		Hot/Refrigerated	
		Total Amps	Plug	Total Amps	Plug
120	Fluorescent	16	NEMA 5-20P	19.9	NEMA 5-30P
	Incandescent	22.3	NEMA 5-30P	26.1	NEMA 5-50P
	Infrared	22.3	NEMA 5-30P	26.1	NEMA 5-50P
	None	15.6	NEMA 5-20P	19.4	NEMA 5-30P
208	None	9	NEMA 6-15P	Configuration not available.	
240	None	7.8	NEMA 6-15P		
120/208	Fluorescent	9.5	NEMA 14-20P	13	NEMA 14-20P
	Incandescent	13.2	NEMA 14-20P	15.3	NEMA 14-20P
	Infrared	13.2	NEMA 14-20P	15.3	NEMA 14-20P
	None	Configuration not available.		12.8	NEMA 14-20P
120/240	Fluorescent	8.3	NEMA 14-20P	11.8	NEMA 14-20P
	Incandescent	12	NEMA 14-20P	14.1	NEMA 14-20P
	Infrared	12	NEMA 14-20P	14.1	NEMA 14-20P
	None	Configuration not available.		11.6	NEMA 14-20P

### Receptacles



Outperform every day.™

[www.vollrath.com](http://www.vollrath.com)

The Vollrath Company, L.L.C.  
 1236 North 18th Street  
 Sheboygan, WI 53081-3201 U.S.A.  
 Customer Service: 800.628.0830  
 Canada Customer Service: 800.695.8560  
 Main Fax: 800.752.5620 or 920.459.6573

Technical Services: 800.628.0832  
 Technical Services Fax: 920.459.5462