



Project:

Item Number:

Quantity:

Modular Drop-in: Refrigerated Frost Top

The Vollrath Company, L.L.C.

MODULAR DROP-IN: REFRIGERATED FROST TOP



Modular Drop-In: Refrigerated Frost Top

DESCRIPTION

The modular drop-in refrigerated frost tops are designed for top-mount installation.

A full-perimeter drip trough surrounds the display area. The deep trough with integral drain contains spills and aids in cleaning the unit.

Refrigeration coils are attached to the underside of the display surface for maximum cooling. Additional coils are attached to the sides of the display area to create a full-frost pattern. Refrigerant is R134A to meet federal standards.

The display surface fits flush with the countertop to limit the effect of ambient temperature on the display area and to help maintain the full-frost pattern.

MODELS

- 36419 Two Pan 36426 Five Pan
- 36420 Three Pan 36428 Six Pan
- 36424 Four Pan

FEATURES

- Top is 18-gauge stainless steel, 18-8 Type 304, with 3/8" (9.52 mm) overhang on all sides with full-perimeter drip trough.
- Drip trough is 1 1/2" (3.8 cm) wide and 1 3/4" (4.4 cm) deep with integral drain.
- Frost top display area is one-piece construction.
- Display area is designed to be flush with countertop.
- Gasket included for installation under drip-edge.
- Display area is 18-gauge stainless steel Type 304.
- Refrigeration coils mounted to underside of display surface.
- Additional full-perimeter copper refrigeration coils are attached to the vertical flange of the display surface.
- Extruded polystyrene insulation surrounds the cooling coils and directs the thermal exchange to the display area for minimum energy output and lower cost operation.
- Condensing unit suspended below well.
- For complete air circulation, two openings in the cabinet are required.
- Exterior housing is 20-gauge galvanized steel.
- Unit comes with cord and plug and does not require hard-wiring.
- On/Off switch is mounted on side of compressor housing.
- Positioning clips provided to center drop-in within cutout.
- One-year parts and labor warranty. Additional four years on compressor.

Note: Modular drop-ins cannot be cancelled or returned.

WARRANTY: All models shown come with Vollrath's standard warranty against defects in materials and workmanship. For full warranty details, please refer to the Vollrath Equipment and Smallwares Catalog.

Agency Listings



Approvals	Date

Due to continued product improvement, please consult www.vollrathco.com for current product specifications.



Setting the Standard™

www.vollrathco.com

The Vollrath Company, L.L.C.
 1236 North 18th Street
 Sheboygan, WI 53081-3201 U.S.A.
 Customer Service: 800.628.0830
 Canada Customer Service: 800.695.8560
 Main Fax: 800.752.5620 or 920.459.6573

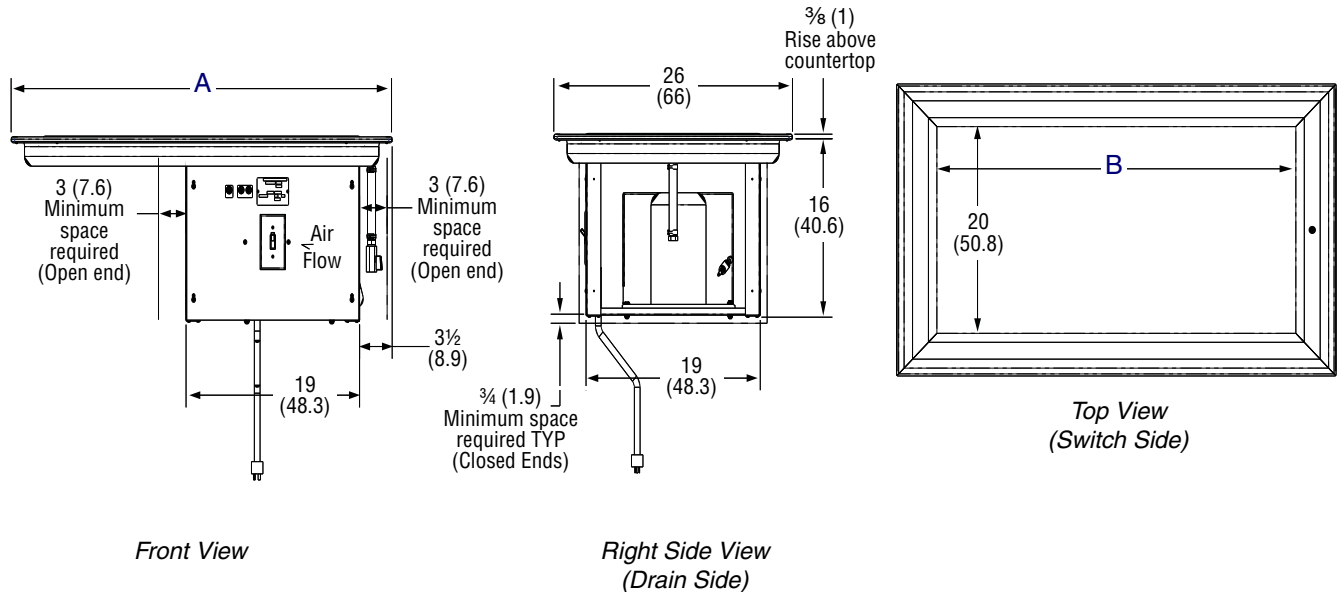
Technical Services: 800.628.0832
 Technical Services Fax: 920.459.5462

MODULAR DROP-IN: REFRIGERATED FROST TOP

MODELS	36419	Two Pan	36426	Five Pan
	36420	Three Pan	36428	Six Pan
	36424	Four Pan		

DIMENSIONS

- ❑ Opening cutout must have a 7/8" (2.2 cm) corner radius.
- ❑ Louver cutout dimension is 8" x 10" (20.3 x 25.4). Two required.
- ❑ Dimensions shown in inches (cm).



SPECIFICATIONS

Item	(A) Overall Length	(B) Display Area	Cutout		Comp	Voltage	Amps	Plug
			Length	Width				
36419	28 1/4 (71.8)	22 1/4 (56.5)	27 1/2 (69.9)	25 1/4 (64.1)	1/4 HP	120	4.9	5-15P
36420	41 1/2 (105.4)	35 1/2 (90.2)	40 3/4 (103.5)	25 1/4 (64.1)	1/3 HP	120	5.9	5-15P
36424	54 3/4 (139.1)	48 3/4 (123.8)	54 (137.2)	25 1/4 (64.1)	1/3 HP	120	5.9	5-15P
36426	68 (172.7)	62 (157.5)	67 1/4 (170.8)	25 1/4 (64.1)	1/2 HP	120	12.9	5-20P
36428	81 1/4 (206.4)	75 1/4 (1191.1)	80 1/2 (204.5)	25 1/4 (64.1)	1/2 HP	120	12.9	5-20P

Receptacles

