



**Project:**

**Item Number:**

**Quantity:**

Modular Drop-in: One Well Hot

The Vollrath Company, L.L.C.

**MODULAR DROP-IN: ONE WELL HOT**



*Modular Drop-In: One Well Hot*

**DESCRIPTION**

The modular drop-in is designed for top-mount installation and does not require hard-wiring. The drop-in comes complete with a 6-ft. (182.8 cm) power cord with plug and a 4-ft. (121.9 cm) control cord for remote installation.

Full-perimeter drip-edge contains spills and condensation within the stainless steel countertop area of the drop-in. Drip-edge adds additional strength to the flange area.

Drop-in can operate wet or dry, however, moist operation is recommended for even heating of the food product. It meets NSF4 performance standards when using moist heat.

High-density glass-fiber insulation allows zero-clearance installation and use of 625W elements for lower energy consumption and reduced costs. Also available with 1000W elements.

Stainless steel wells are 6<sup>3</sup>/<sub>8</sub>" (16.2 cm) deep to allow use of full-size and fractional pans up to 6" (15.2 cm) deep while still providing moist heat. Adaptor bars are recommended when using fractional pans.

**WARRANTY:** All models shown come with Vollrath's standard warranty against defects in materials and workmanship. For full warranty details, please refer to the Vollrath Equipment and Smallwares Catalog.

MODELS	1000W Per Well	625W Per Well	Drain	Auto-Fill
120V Infinite Control	3646601	36466	Standard	-
	3646661	3646660	Manifold	Yes
120V Thermostatic Control	3646611	3646610	Standard	-
	3646681	3646680	Manifold	Yes
208V Infinite Control		36467	Standard	-
		3646760	Manifold	Yes
208 V Thermostatic Control		3646710	Standard	-
		3646780	Manifold	Yes
208V - 240V Infinite Control	3646701		Standard	-
	3646761		Manifold	Yes
208V - 240V Thermostatic Control	3646711		Standard	-
	3646781		Manifold	Yes
240V Infinite Control		36471	Standard	-
		3647160	Manifold	Yes
240V Thermostatic Control		3647110	Standard	-
		3647180	Manifold	Yes

**FEATURES**

- Top is 18-gauge stainless steel, with 3/8" (9.5 mm) overhang on all sides and die-stamped with full-perimeter drip-edge.
- Breaker gasket included for installation under drip-edge.
- Flat work surface around opening.
- Deep drawn well is 20-gauge stainless steel, 6<sup>3</sup>/<sub>8</sub>" (16.2 cm) deep.
- Standard 1000W or 625W heating element.
- Infinite or thermostatic control.
- Power indicator light.
- Standard drain is 1/2" (1.3 cm) stainless steel fitting welded to pan with ball valve shutoff below exterior housing.
- Manifold drain option is 1" (2.5 cm) copper tubing and retains individual well shut-off and adds manifold shutoff.
- Unit insulated on sides, between wells, and below element assembly with high-density glass fiber insulation.
- Exterior housing is 20-gauge galvanized steel.
- Drop-in is supplied with stainless steel control panel connected to bottom of unit for shipping.
- Control panel may remain on unit or be remote mounted.
- Control wires contained in flexible rubber cord.
- Unit comes with cord and plug and does not require hard-wiring installation.
- Positioning clips provided to center drop-in within cutout.
- Standard mounting clips adjustable for up to 3" (7.6 cm) thick counters.
- Full one-year parts and labor warranty.
- Sheet pan adapter available. Item No. 19186.

**Agency Listings**



*Due to continued product improvement, please consult [www.vollrathco.com](http://www.vollrathco.com) for current product specifications.*

Approvals	Date



Setting the Standard™

[www.vollrathco.com](http://www.vollrathco.com)

The Vollrath Company, L.L.C.  
 1236 North 18th Street  
 Sheboygan, WI 53081-3201 U.S.A.  
 Customer Service: 800.628.0830  
 Canada Customer Service: 800.695.8560  
 Main Fax: 800.752.5620 or 920.459.6573

Technical Services: 800.628.0832  
 Technical Services Fax: 920.459.5462

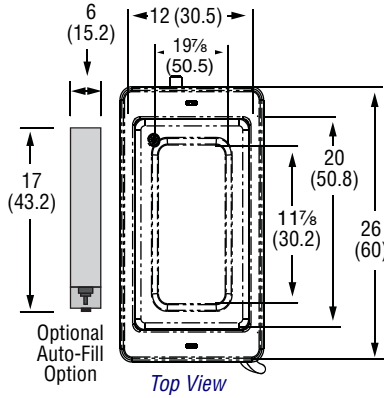
# MODULAR DROP-IN: ONE WELL HOT

## AUTO-FILL OPTION

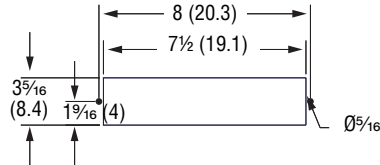
Field-installed option that efficiently maintains a constant water level. Eliminates the need to monitor wells and add water, reducing operating and labor costs. Attaches easily to manifold drain assembly using simple tools. The check valve/siphon prevents cross contamination of drain and potable water lines. NOTE: The auto-fill reservoir is approximately 6 x 17 (15.2 x 43.2) and requires additional space in the cabinet.

## DIMENSIONS

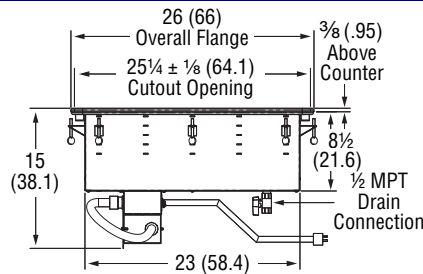
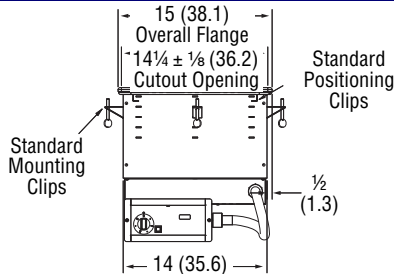
- Dimensions shown in inches (cm). Opening cutout must have a 7/8" (2.2 cm) corner radius.



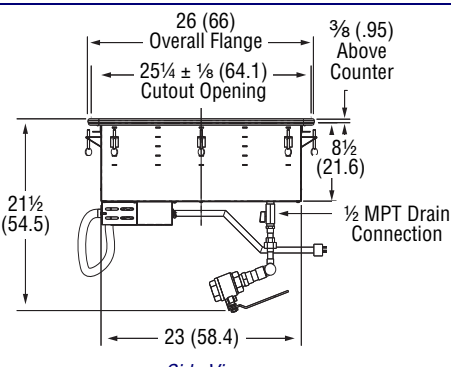
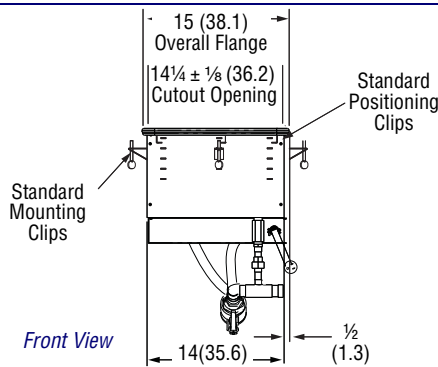
### Control Panel Cutout +.063/-0 (+.160/-0) Tolerance



## Standard Drain



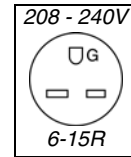
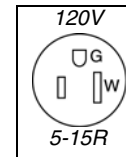
## Manifold Drain



## ELECTRICAL SPECIFICATIONS

Model	Total Watts	Volts	Nominal Amps	NEMA Plug
36466, 3646660, 3646610, 3646680	625	120V AC	5.2	5-15P
3646601, 3646661, 3646611, 3646681	1000	120V AC	8.3	5-15P
36467, 3646760, 3646710, 3646780	625	208V AC	3	6-15P
3646701, 3646761, 3646711, 3646781	750 - 1000	208 - 240V AC	3.6 - 4.2	6-15P
36471, 3647160, 3647110, 3647180	625	240V AC	2.6	6-15P

### Receptacles



The Vollrath Company, L.L.C.  
1236 North 18th Street  
Sheboygan, WI 53081-3201 U.S.A.  
Customer Service: 800.628.0830  
Canada Customer Service: 800.695.8560  
Main Fax: 800.752.5620 or 920.459.6573

Technical Services: 800.628.0832  
Technical Services Fax: 920.459.5462