



Project:

Item Number:

Quantity:

Modular Drop-In: Four Well Hot

The Vollrath Company, L.L.C.

MODULAR DROP-IN: FOUR WELL HOT



Modular Drop-In: Four Well Hot

DESCRIPTION

The modular drop-in is designed for top-mount installation and does not require hard-wiring. The drop-in comes complete with a 6-ft. (182.8 cm) power cord with plug and a 4-ft. (121.9 cm) control cord for remote installation.

Full-perimeter drip-edge contains spills and condensation within the stainless steel countertop area of the drop-in. Drip-edge adds additional strength to the flange area.

Drop-in can operate wet or dry, however, moist operation is recommended for even heating of the food product. Meets NSF4 performance standards when using moist heat.

High-density glass-fiber insulation allows zero-clearance installation and use of 625W elements for lower energy consumption and reduced costs. Also available with 1000W elements.

Stainless steel wells are 6³/₈" (16.19 cm) deep to allow use of full-size and fractional pans up to 6" (15.24 cm) deep while still providing moist heat. Adaptor bars are recommended when using fractional pans.

Agency Certifications



MODELS

	1000W Per Well	625W Per Well	Drain	Auto-Fill
120V Infinite Control		36406	Standard	-
		3640650	Manifold	-
120V Thermostatic Control		3640660	Manifold	Yes
		3640610	Standard	-
		3640670	Manifold	-
		3640680	Manifold	Yes
208V Infinite Control		36407	Standard	-
		3640750	Manifold	-
208V Thermostatic Control		3640760	Manifold	Yes
		3640710	Standard	-
		3640770	Manifold	-
		3640780	Manifold	Yes
208-240V Infinite Control	3640701		Standard	-
	3640751		Manifold	-
	3640761		Manifold	Yes
208-240V Thermostatic Control	3640711		Standard	-
	3640771		Manifold	-
	3640781		Manifold	Yes
240V Infinite Control		36474	Standard	-
		3647450	Manifold	-
		3647460	Manifold	Yes
240V Thermostatic Control		3647410	Standard	-
		3647470	Manifold	-
		3647480	Manifold	Yes

FEATURES

- Top is 18-gauge stainless steel, 18-8 Type 304, with 3/8" (9.52 cm) overhang on all sides and die-stamped with full-perimeter drip-edge, and 19⁷/₈" x 11⁷/₈" (50.48 x 30.16 cm) openings.
- Breaker gasket included for installation under drip-edge.
- Flat work surface around opening.
- Deep drawn well is 20-gauge 18-8 stainless steel, 6³/₈" (16.19 cm) deep.
- Standard 1000W or 625W heating element.
- Infinite or thermostatic control.
- Power indicator light.
- Standard drain is 1/2" (1.27 cm) stainless steel fitting welded to pan with ball valve shutoff below exterior housing.
- Manifold drain option is 1" (2.54 cm) copper tubing and retains individual well shut-off and adds manifold shutoff.
- Unit insulated on sides, between wells, and below element assembly with high-density glass fiber insulation.
- Exterior housing is 20-gauge galvanized steel.
- Drop-in is supplied with stainless steel control panel connected to bottom of unit for shipping.
- Control panel may remain on unit or be remote mounted.
- Control wires contained in flexible rubber cord.
- Unit comes with cord and plug and does not require hard-wiring installation.
- Positioning clips provided to center drop-in within cutout.
- Standard mounting clips adjustable for up to 3" (7.62 cm) thick counters.
- Full one-year parts and labor warranty.
- Sheet pan adapter available. Item No. 19186.

Approvals	Date:



Setting the Standard™

www.vollrathco.com

The Vollrath Company, L.L.C.
 1236 North 18th Street
 Sheboygan, WI 53082-0611
 U.S.A.
 Main Tel: 800.624.2051
 Service Tel: 800.628.0832
 FAX: 800.752.5620

Vollrath of Canada, Co.
 Tel: 800.695.8560
 FAX: 800.752.5620

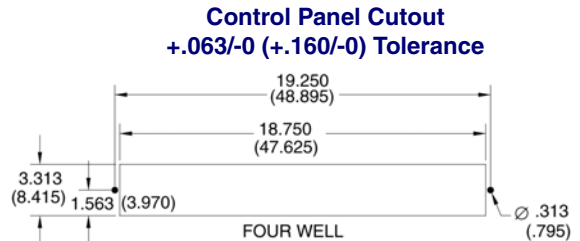
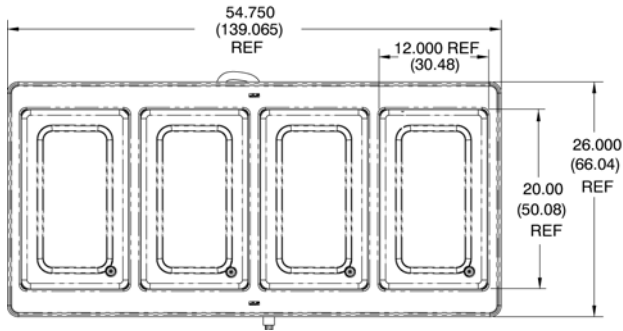
MODULAR DROP-IN: FOUR WELL HOT

AUTO-FILL OPTION

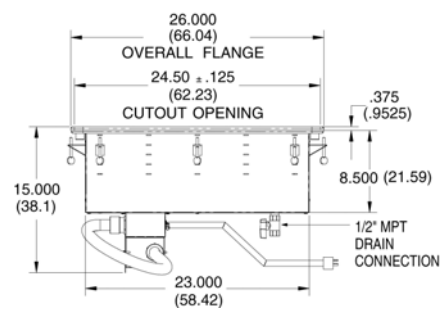
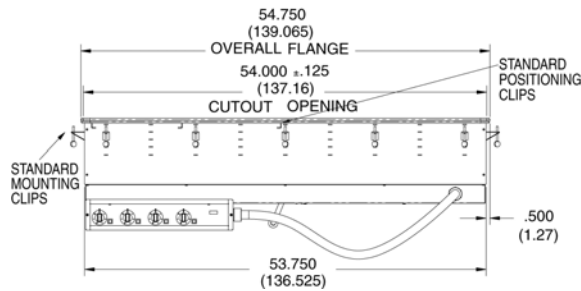
Field-installed option that efficiently maintains a constant water level. Eliminates the need to monitor wells and add water, reducing operating and labor costs. Attaches easily to manifold drain assembly using simple tools. The check valve/siphon prevents cross contamination of drain and potable water lines.

DIMENSIONS

- ❑ Overall Dimension: 54.75" x 26.00" (139.065 cm x 66.04 cm)
- ❑ Cutout Dimensions: 54" x 24.50" (137.16 cm x 62.23 cm)
- ❑ Opening cutout must have a 7/8" (2.22 cm) corner radius.

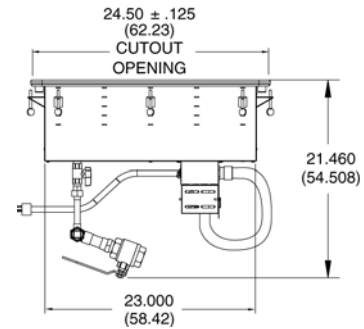
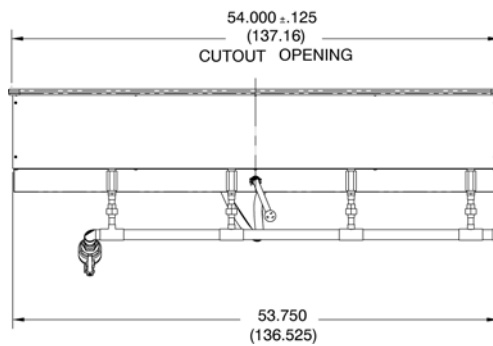


Standard Drain



Manifold Drain

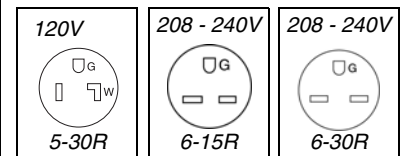
Dimensions shown in inches (centimeters).



ELECTRICAL SPECIFICATIONS

Model	Total Watts	Volts	Nominal Amps	NEMA Plug
36406, 3640650, 3640660, 3640610, 3640670, 3640680	2500	120V AC	20.8	5-30P
36407, 3640750, 3640760, 3640710, 3640770, 3640780	2500	208V AC	12.0	6-15P
3640701, 3640751, 3640761, 3640711, 3640771, 3640781	3000 - 4000	208 - 240V AC	14.4 - 16.7	6-30P
36474, 3647450, 3647460, 3647410, 3647470, 3647480	2500	240V AC	10.4	6-15P

Receptacles



The Vollrath Company, L.L.C.
1236 North 18th Street
Sheboygan, WI 53082-0611
U.S.A.
Main Tel: 800.624.2051
Service Tel: 800.628.0832
FAX: 800.752.5620

Vollrath of Canada, Co.
Tel: 800.695.8560
FAX: 800.752.5620