



Outperform every day.™

Project:

Item Number:

Quantity:

SIGNATURE SERVER® ENTREE CART WITH STAINLESS STEEL COUNTER



Unit shown with optional tray slides and breath guard. Order separately.

Signature Server® Entree Cart with Stainless Steel Counter

FEATURES

- Reinforced stainless steel unibody construction provides extra durability in a lightweight, mobile base
- Base is 18-gauge 400 series stainless steel clad with black laminate. Optional colors and finishes are also available.
- Top is one-piece 18-gauge 300 series stainless steel
- Optional 14-gauge work surface available
- Well is 18-gauge 300 series stainless steel
- Energy-efficient 625W element
- Well insulated with a minimum 1½ high-density glass fiber insulation for efficient dry or moist operation
- Infinite control
- Drain
- Complete with perforated rack, spiked meat holder, poly cutting board, drip pan, and au jus pan
- Heavy-duty 4" (10 cm) swivel casters with brakes
- 8 ft. (2.4 m) cord
- NSF4

Note: Signature Server® equipment orders cannot be cancelled or returned.

DESCRIPTION

Signature Server® is the choice when functionality and modular ease of use are your top priorities. Signature Server® Serving Equipment is an industry standard, with updated features to better serve the operator.

WARRANTY: All models shown come with Vollrath's standard warranty against defects in materials and workmanship. For full warranty details, please refer to www.Vollrath.com.

BASE AND OPTIONS

Base	Options			Breath Guards	Lighting / Heating	Accessories
	Color (Black is standard)					
Item No	Matte Laminate	Wood Grain	Stainless Steel			
37080	36683	36690	36696	Choose from: Progressive, Contemporary, Traditional, Classic Cafeteria, Classic Economy Buffet or Access®. See Breath Guard spec sheets on vollrath.com for selection information.	Choose from: Incandescent, infrared, or fluorescent lights. See Breath Guard spec sheets on vollrath.com for selection information.	Choose from: Plate rests, cutting boards, end shelf, tray slides, false bottoms, bag in box, stationary legs. See Accessories spec sheet on vollrath.com for selection information.

Use only Vollrath accessories, including breath guards. Vollrath is not responsible for the fit or installation of custom made accessories and components. Custom accessories and components may void agency listings.

Agency Certifications



Due to continued product improvement, please consult www.vollrath.com for current product specifications.

Approvals	Date



Outperform every day.™
www.vollrath.com

The Vollrath Company, L.L.C.
 1236 North 18th Street
 Sheboygan, WI 53081-3201 U.S.A.
 Customer Service: 800.628.0830
 Canada Customer Service: 800.695.8560
 Main Fax: 800.752.5620 or 920.459.6573

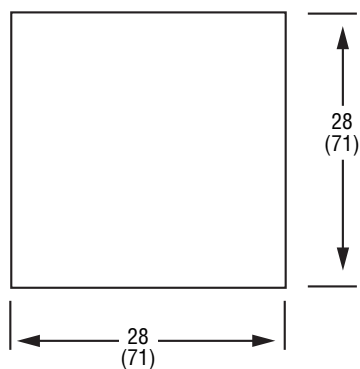
Technical Services: 800.628.0832
 Technical Services Fax: 920.459.5462

Signature Server® Entree Cart with Stainless Steel Counter

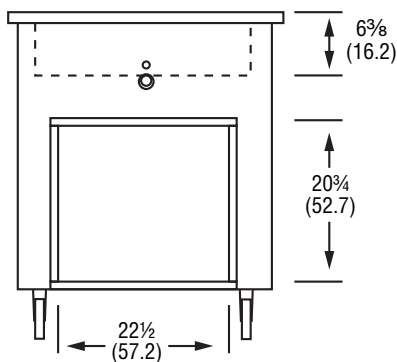
The Vollrath Company, L.L.C.

SIGNATURE SERVER® ENTREE CART WITH STAINLESS STEEL

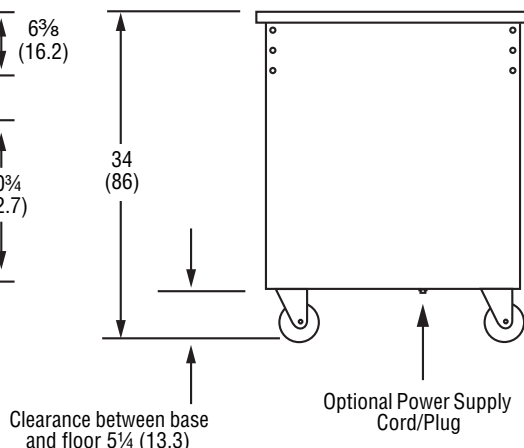
DIMENSIONS (Shown in inches (cm))



Top View



Operator Side View



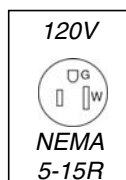
End View

For breath guard and accessory dimensions, see the breath guard and accessory spec sheets on vollrath.com

ELECTRICAL SPECIFICATIONS

Base Unit Voltage	Lighting Choice	Total Amps	Plug
120V	Incandescent	7.3	NEMA 5-15P
	Infrared		
	None	5.2	

Receptacle



Outperform every day.™

www.vollrath.com

The Vollrath Company, L.L.C.
 1236 North 18th Street
 Sheboygan, WI 53081-3201 U.S.A.
 Customer Service: 800.628.0830
 Canada Customer Service: 800.695.8560
 Main Fax: 800.752.5620 or 920.459.6573

Technical Services: 800.628.0832
 Technical Services Fax: 920.459.5462