



Outperform every day.™

Project:

Item Number:

Quantity:

ServeWell® Cold Food Table

The Vollrath Company, L.L.C.

## SERVEWELL® COLD FOOD TABLE



### DESCRIPTION

We build each ServeWell® unit with heavy-gauge stainless steel, and engineer the body, legs, and base for strength and durability. The complete line of ServeWell® food tables is designed to eliminate the frustrations you have had with traditional food service units.

Vollrath offers the first truly innovative design in value-priced mobile serving equipment.

The insulated cold pan well provides adequate depth for sufficient ice capacity to enable short-term holding of full or fractional size pans, insets, crocks and bain maries.

### FEATURES

- Stainless steel top, wrapper, uprights, undershelf, and stainless steel ice pan.
- Well insulated with EPS foam material.
- Pitched to a 1" (3 cm) drain and plug.
- Standard stationary legs are 6" (15.2cm) high with 1" (2.5 cm) adjustment.
- Optional non-marking castors are 4" (10.2 cm) diameter, NSF approved swivel type, two with brakes.

**NOTE:** ServeWell® Hot Food Table orders cannot be canceled or returned.

### WARRANTY

All models shown come with Vollrath's standard warranty against defects in materials and workmanship. For full warranty details, please refer to [www.Vollrath.com](http://www.Vollrath.com).

### Agency Listings



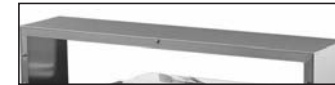
Due to continued product improvement, please consult [www.vollrath.com](http://www.vollrath.com) for current product specifications.

### ITEMS

Item No.	Description
38012	Two Pan Well
38013	Three Pan Well
38014	Four Pan Well
38015	Five Pan Well

### OPTIONS AND ACCESSORIES Dimensions in inches (cm)

#### Work/Overshelf w/o Acrylic Panel Double-Deck Overshelf



Item	Length x Width x Height
□ 38042	32 x 10 x 13 (81.3 x 25.4 x 33)
□ 38043	46 x 10 x 13 (116.8 x 25.4 x 33)
□ 38044	60 <sup>1</sup> / <sub>16</sub> x 10 x 13 (155.6 x 25.4 x 33)
□ 38045	76 x 10 x 13 (193 x 25.4 x 33)

#### w/o Acrylic Panel (Not pictured)

Item	Length x Width x Height
□ 38032	32 x 10 x 26 (81.3 x 25.4 x 66)
□ 38033	46 x 10 x 26 (116.8 x 25.4 x 66)
□ 38034	60 <sup>1</sup> / <sub>16</sub> x 10 x 26 (155.6 x 25.4 x 66)
□ 38035	76 x 10 x 26 (193 x 25.4 x 66)

#### Single Deck Cafeteria Guard



Item	Length x Width x Height
□ 38052	32 x 10 x 13 (81.3 x 25.4 x 33)
□ 38053	46 x 10 x 13 (116.8 x 25.4 x 33)
□ 38054	60 <sup>1</sup> / <sub>16</sub> x 10 x 13 (155.6 x 25.4 x 33)
□ 38055	76 x 10 x 13 (193 x 25.4 x 33)

#### Buffet Breath Guards



4 holes per side for breath guard attachment.

Item	Length x Width x Height
□ 38062	32 x 35 <sup>5</sup> / <sub>8</sub> x 23 <sup>1</sup> / <sub>2</sub> (81.2 x 89.8 x 59.7)
□ 38063	46 x 35 <sup>5</sup> / <sub>8</sub> x 23 <sup>1</sup> / <sub>2</sub> (116.8 x 89.8 x 59.7)
□ 38064	60 <sup>1</sup> / <sub>16</sub> x 35 <sup>5</sup> / <sub>8</sub> x 23 <sup>1</sup> / <sub>2</sub> (155.6 x 89.8 x 59.7)
□ 38065	76 x 35 <sup>5</sup> / <sub>8</sub> x 23 <sup>1</sup> / <sub>2</sub> (193 x 89.8 x 59.7)

#### Operator Side Poly Cutting Board



Item	Length x Width x Height
□ 38072	32 x 8 x 1 (81.3 x 20.3 x 2.5)
□ 38073	46 x 8 x 1 (116.8 x 20.3 x 2.5)
□ 38074	60 <sup>1</sup> / <sub>16</sub> x 8 x 1 (155.6 x 20.3 x 2.5)
□ 38075	76 x 8 x 1 (193 x 20.3 x 2.5)

#### Customer Side Plate Rest



Item	Length x Width x Height
□ 38092	32 x 8 x 1 (81.3 x 20.3 x 2.5)
□ 38093	46 x 8 x 1 (116.8 x 20.3 x 2.5)
□ 38094	60 <sup>1</sup> / <sub>16</sub> x 8 x 1 (155.6 x 20.3 x 2.5)
□ 38095	76 x 8 x 1 (193 x 20.3 x 2.5)

#### Caster Set



Item	Description
□ 38099	4" (10.2 cm) swivel wheels, two with brakes
□ 3809934	4" (10.2 cm) swivel wheels, two with brakes, ADA height



Outperform every day.™

[www.vollrath.com](http://www.vollrath.com)

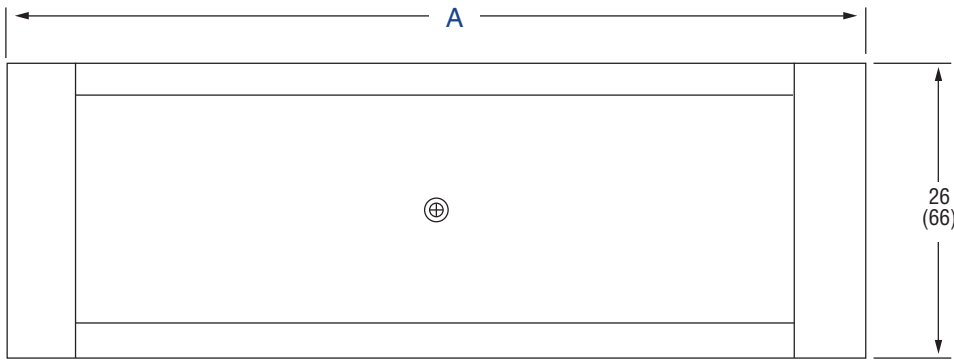
### The Vollrath Company, L.L.C.

1236 North 18th Street  
Sheboygan, WI 53081-3201 U.S.A.  
Main Tel: 800.624.2051 or 920.457.4851  
Main Fax: 800.752.5620 or 920.459.6573  
Customer Service: 800.628.0830  
Canada Customer Service: 800.695.8560

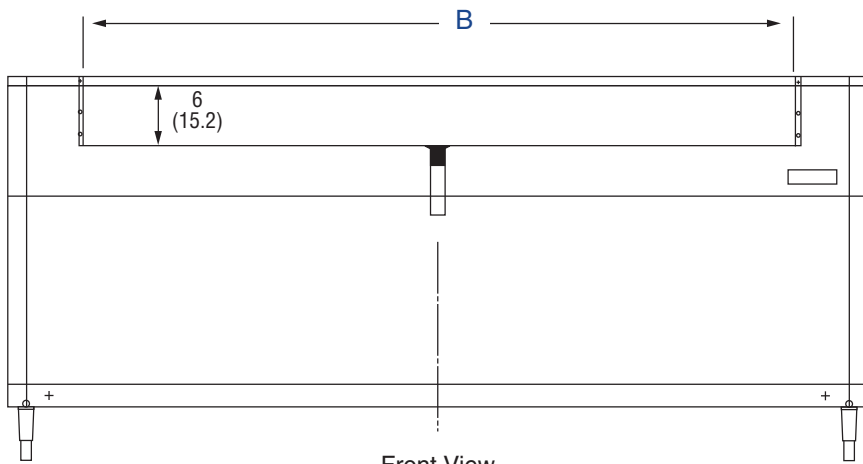
Technical Services  
[techservicereps@vollrathco.com](mailto:techservicereps@vollrathco.com)  
Induction Products: 800.825.6036  
Countertop Warming Products: 800.354.1970  
All Other Products: 800.628.0832

# SERVEWELL® COLD FOOD TABLE

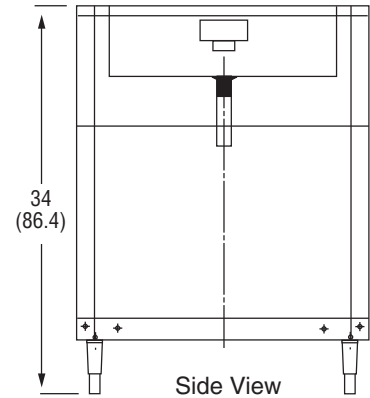
## DIMENSIONS (Shown in inches (cm))



Top View



Front View



Side View

## SPECIFICATIONS

Item No.	Description	(A) Overall Length IN (CM)	(B) Well Length IN (CM)
38012	Two Pan Well	31 <sup>3</sup> / <sub>8</sub> (79.7)	24 <sup>3</sup> / <sub>4</sub> (63)
38013	Three Pan Well	46 (116.8)	37 <sup>1</sup> / <sub>2</sub> (95)
38014	Four Pan Well	60 <sup>11</sup> / <sub>16</sub> (154.1)	50 <sup>1</sup> / <sub>4</sub> (128)
38015	Five Pan Well	75 <sup>5</sup> / <sub>16</sub> (191.3)	63 (160)



Outperform every day.™

[www.vollrath.com](http://www.vollrath.com)

### The Vollrath Company, L.L.C.

1236 North 18th Street  
 Sheboygan, WI 53081-3201 U.S.A.  
 Main Tel: 800.624.2051 or 920.457.4851  
 Main Fax: 800.752.5620 or 920.459.6573  
 Customer Service: 800.628.0830  
 Canada Customer Service: 800.695.8560

Technical Services  
[techservicereps@vollrathco.com](mailto:techservicereps@vollrathco.com)  
 Induction Products: 800.825.6036  
 Countertop Warming Products: 800.354.1970  
 All Other Products: 800.628.0832