



Outperform every day.™

Project:

Item Number:

Quantity:

AFFORDABLE PORTABLE™ HOT FOOD STATIONS



Affordable Portable™ 3-Well Hot Food Station with NSF-2 Cafeteria Breath Guard

DESCRIPTION & FEATURES

- Vollrath Affordable Portable™ hot food stations are constructed of vinyl-clad, 20-gauge carbon steel.
- Each well supplied with 120V, 525W exposed heating element.
- High-density glass fiber insulation.
- Infinite control rotary knob.
- NSF2 certified Cafeteria or Buffet style acrylic breath guard.
- The hot food stations are available in four versatile colors: granite, walnut woodgrain, black and cherry woodgrain.
- Countertops are manufactured from 20-gauge stainless steel.
- Two locking casters included.
- Spillage pans required. Order separately.
- 8 ft. cord with plug.
- **Affordable Portable™ orders cannot be canceled or returned.**

Lighting Option

- Factory-installed option
- Requires Buffet breath guard
- 120V
- Bulbs not included

AGENCY LISTINGS



WARRANTY: All models shown come with Vollrath's standard warranty against defects in materials and workmanship. For full warranty details, please refer to the Vollrath Equipment and Smallwares Catalog.

Due to continued product improvement, please consult www.vollrath.com for current product specifications.

MODELS

| Description | Black | Walnut Woodgrain | Granite | Cherry Woodgrain |
|---|---------|------------------|---------|------------------|
| 3 Well Hot Food Station - 120V | | | | |
| Solid base ^① | 38707 | 38935 | 38727 | 38767 |
| Solid w/lights ^② | 3870746 | 3893546 | 3872746 | 3876746 |
| Open Storage ^① | 38708 | 38936 | 38728 | 38768 |
| Open w/lights ^② | 3870846 | 3893646 | 3872846 | 3876846 |
| Storage w/door ^① | 38709 | 38937 | 38729 | 38769 |
| Storage w/door, w/lights ^② | 3870946 | 3893746 | 3872946 | 3876946 |
| Cafeteria unit ^{①③} | 39707 | 39935 | 39727 | 39767 |
| Cafeteria unit w/open storage ^{①③} | 39708 | 39936 | 39728 | 39768 |
| Cafeteria unit w/storage door ^{①③} | 39709 | 39937 | 39729 | 39769 |
| 4 Well Hot Food Station - 120V | | | | |
| Solid base ^① | 38710 | 38945 | 38730 | 38770 |
| Solid w/lights ^② | 3871060 | 3894560 | 3873060 | 3877060 |
| Open Storage ^① | 38711 | 38946 | 38731 | 38771 |
| Open w/lights ^② | 3871160 | 3894660 | 3873160 | 3877160 |
| Storage w/door ^① | 38712 | 38947 | 38732 | 38772 |
| Storage w/door, w/lights ^② | 3871260 | 3894760 | 3873260 | 3877260 |
| Cafeteria unit ^{①③} | 39710 | 39945 | 39730 | 39770 |
| Cafeteria unit w/open storage ^{①③} | 39711 | 39946 | 39731 | 39771 |
| Cafeteria unit w/storage door ^{①③} | 39712 | 39947 | 39732 | 39772 |

- ① For 208-240V without lights, add 2 to the model number.
- ② For 120/208 and 120/240V with lights, add 4 to the model number.
- ③ Includes Cafeteria breath guard with acrylic panel.

ELECTRICAL PLUG SPECIFICATIONS

| Description | Volts | Hz | Amps | Watts per Well | Electrical Service (A) | NEMA Plug |
|---------------------|-------------|----|------|----------------|------------------------|-----------|
| 3-Well | 120 | 60 | 13.1 | 525 | 20 | 5-20P |
| 4-Well | | | 17.5 | 525 | 30 | 5-30P |
| 3-Well | 208-240 | 60 | 8.8 | 700 | 15 | 6-15P |
| 4-Well | | | 11.7 | 700 | 15 | 6-15P |
| 3-Well with Lights* | 120 | 60 | 19.4 | 525 | 30 | 5-30P |
| 4-Well with Lights* | | | 25.8 | 525 | 50 | 5-50P |
| 3-Well with Lights* | 120/208-240 | 60 | 13 | 700 | 20 | 14-20P |
| 4-Well with Lights* | | | 15.9 | 700 | 20 | 14-20P |

*Incandescent lamps (250W maximum per fixture)

RECEPTACLE CONFIGURATIONS

| | | | | |
|----------------------------|----------------------------|--------------------------------|----------------------------|---------------------------------|
| <p>120V NEMA 5-20R</p> | <p>120V NEMA 5-30R</p> | <p>208-240V NEMA 6-15R</p> | <p>120V NEMA 5-50R</p> | <p>120/240V NEMA 14-20R</p> |
|----------------------------|----------------------------|--------------------------------|----------------------------|---------------------------------|

Approvals

Date

| |
|--|
| |
|--|



Outperform every day.™
www.vollrath.com

The Vollrath Company, L.L.C.
1236 North 18th Street
Sheboygan, WI 53081-3201 U.S.A.
Customer Service: 800.628.0830
Canada Customer Service: 800.695.8560
Main Fax: 800.752.5620 or 920.459.6573

Technical Services: 800.628.0832
Technical Services Fax: 920.459.6573

AFFORDABLE PORTABLE™ HOT FOOD STATIONS

ACCESSORIES AND ADD-ONS

Cashier Station

- Stable stainless steel work surface
- Wide enough for most registers or terminals
- Open base and bottom shelf for storage
- Cash drawer not available



| Dimensions (LxDxH) Inches (CM) | Black | Walnut Woodgrain | Granite | Cherry Woodgrain |
|-----------------------------------|-------|---------------------|---------|---------------------|
| 24 x 24 x 35 (60.9 x 89) | 38700 | 38905 | 38720 | 38760 |

Tray Slides

- 300 Series stainless steel
- Fold-down mounting brackets
- Adds 5½" (14 cm) to depth in folded position



| Item | Description | Depth | Tray Area | Case Lot |
|--------|--|----------------|---------------|----------|
| 39924* | Fits 24" (61 cm) Affordable Portable™ | 11½" (29.2) | 11" (27.9) | 1 |
| 39946* | Fits 46" (117 cm) Affordable Portable™ | | | 1 |
| 39960* | Fits 60" (152 cm) Affordable Portable™ | | | 1 |

*Add NF in front of the item number for non-folding model

Cutting Boards

- Polyethylene
- Fold-down mounting brackets
- Adds 4" (10.2 cm) to depth in folded position



| Item | Description | Depth | Case Lot |
|--------|--|-----------------|----------|
| 39824* | Fits 24" (61 cm) Affordable Portable™ | 7" (17.8 cm) | 1 |
| 39846* | Fits 46" (117 cm) Affordable Portable™ | | 1 |
| 39860* | Fits 60" (152 cm) Affordable Portable™ | | 1 |

*Add NF in front of the item number for non-folding model

Plate Rests

- Stainless steel
- Fold-down mounting kit
- Adds 4½" (11.4 cm) to depth in folded position



| Item | Description | Depth | Case Lot |
|--------|--|-----------------|----------|
| 38992* | Fits 24" (61 cm) Affordable Portable™ | 7" (17.8 cm) | 1 |
| 38993* | Fits 46" (117 cm) Affordable Portable™ | | 1 |
| 38994* | Fits 60" (152 cm) Affordable Portable™ | | 1 |

*Add NF in front of the item number for non-folding model

Spillage Pans

- Accepts standard size pans
- Use with adaptor plates or insets
- Suitable for bulk storage



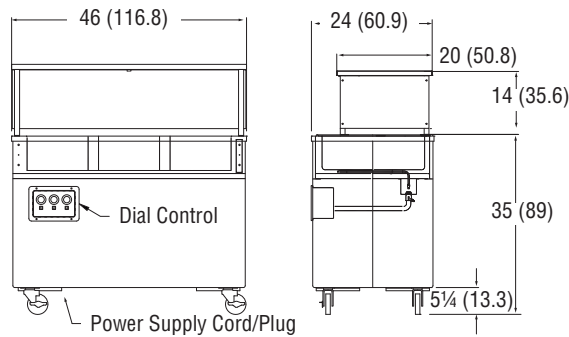
| Item | Description | Case Lot |
|-------|--------------------------------------|----------|
| 99765 | Standard edge stainless spillage pan | 1 |
| 99780 | Dripless stainless spillage pan | 1 |
| 99785 | Aluminum spillage pan | 1 |

Infrared Lamp Bulbs

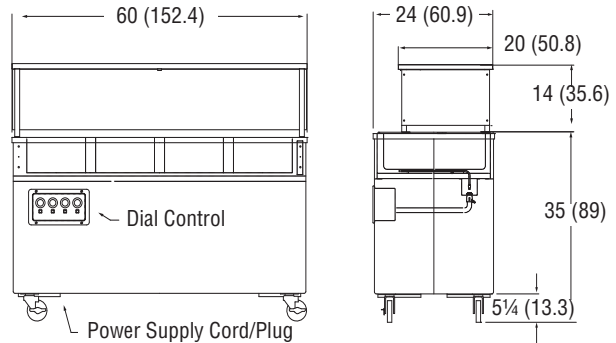
| Item | Description | Case Lot |
|-------|-------------|----------|
| 72242 | White, 250W | 1 Dozen |
| 72241 | Red, 250W | 1 Dozen |

DIMENSIONS

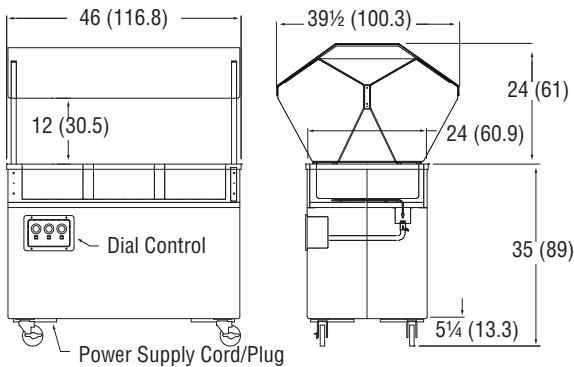
3 Well Hot Food Station with Cafeteria Breath Guard



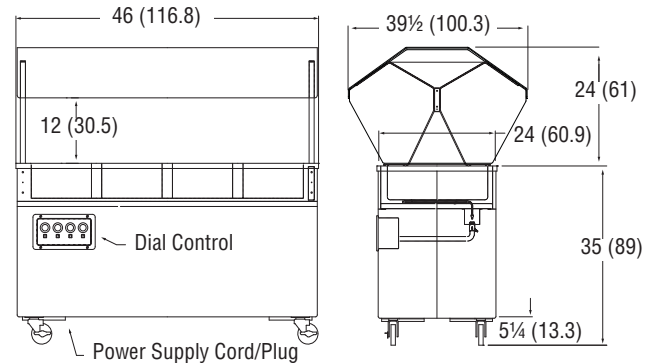
4 Well Hot Food Station with Cafeteria Breath Guard



3 Well Hot Food Station with Buffet Breath Guard



4 Well Hot Food Station with Buffet Breath Guard



3 Well Storage Opening: 36 x 23 x 16½ (91.5 x 58 x 42)

4 Well Storage Opening: 50 x 23 x 16½ (127 x 58 x 42)



Outperform every day.™

www.vollrath.com

The Vollrath Company, L.L.C.
1236 North 18th Street
Sheboygan, WI 53081-3201 U.S.A.
Customer Service: 800.628.0830
Canada Customer Service: 800.695.8560
Main Fax: 800.752.5620 or 920.459.6573

Technical Services: 800.628.0832
Technical Services Fax: 920.459.6573