



Outperform every day.™

Project:

Item Number:

Quantity:

CAYENNE® MEDIUM-DUTY CHARBROILERS



40728

407302

Cayenne® Medium-Duty Charbroilers

DESCRIPTION

Vollrath's Cayenne® Medium-Duty Charbroilers are built solid. Versatile grill plates feature narrower grill surfaces on one side, with integral channels specially designed to dispense excess fat, reducing smoke and flames. The flip side features flatter, wider grill surfaces, ideal for fish and other more delicate items. Angled adaptor bars enable the grill plates to be angled away from heat for slower cooking. This directs grease away to minimize flare-ups.

CLEARANCE AND POSITIONING

This appliance must be installed adjacent to non-combustible surfaces only, with a minimum of 6" (15.2 cm) from all sides. This appliance must be a minimum distance of 6" (15.2 cm) from another appliance. The appliance must have the supplied 4" (10.2 cm) legs installed and be placed on a non-combustible surface.

Agency Certifications

Item No	Certifications
40728	
407292 407302 407312 407372 407382	

ITEMS

Item No.	Model No.	Description
40728	CBL9012	12" Charbroiler, 28,000 BTU
407292	CBL90162	18" Charbroiler, 60,000 BTU
407302	CBL90242	24" Charbroiler, 80,000 BTU
407312	CBL90362	36" Charbroiler, 120,000 BTU
407372	CBL90482	48" Charbroiler, 160,000 BTU
407382	CBL90602	60" Charbroiler, 200,000 BTU

FEATURES

- Ships complete with kits for both radiant and lava rock set up
- Shipped set up for natural gas — includes kit with regulator for field conversion to propane
- Stainless and aluminized steel, fully-welded construction to eliminate grease and dirt traps
- Superior stainless steel burner design allows for better heat distribution and faster recovery
- Burners placed every 6" for optimum heat distribution and control. 12" unit has one burner.
- Heavy-duty gas valves ensure long life
- Heavy-duty adjustable legs
- Cool-to-touch bull-nose design protects from burns
- All metal knobs protect gas valves from damage, won't break or crack and are **GUARANTEED FOR LIFE**
- 3/4" NPT gas inlet

WARRANTY: All models shown come with Vollrath's standard warranty against defects in materials and workmanship. For full warranty details, please refer to www.Vollrath.com.

Approvals	Date

Due to continued product improvement, please consult www.vollrath.com for current product specifications.



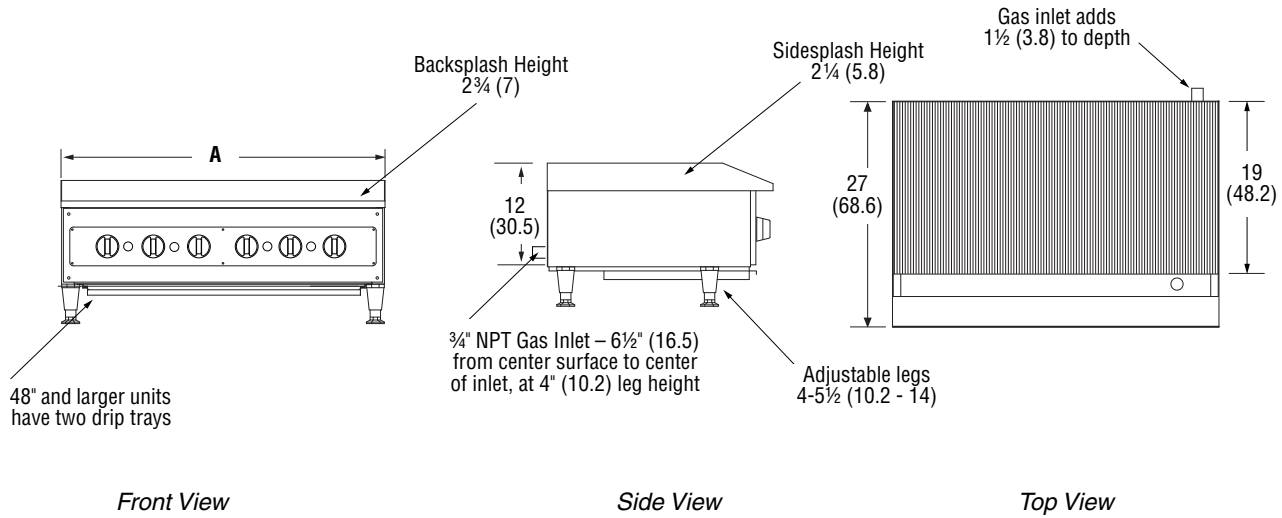
Outperform every day.™
www.vollrath.com

The Vollrath Company, L.L.C.
1236 North 18th Street
Sheboygan, WI 53081-3201 U.S.A.
Customer Service: 800.628.0830
Canada Customer Service: 800.695.8560
Main Fax: 800.752.5620 or 920.459.6573

Technical Services: 800.628.0832
Technical Services Fax: 920.459.5462

CAYENNE® MEDIUM-DUTY CHARBROILERS

DIMENSIONS (Shown in inches (cm))



SPECIFICATIONS

Item No.	Output (BTU)	(A) Width	Cooking Surface Dimensions (W x D)	Number of Burners	Number of Drip Trays	Ship Weight Lb (Kg)
40728	28,000	12 (30.5)	11 $\frac{1}{16}$ x 19 (29.7 x 48.3)	1	1	95 (43.1)
407292	60,000	18 (45.7)	17 $\frac{1}{16}$ x 19 (45 x 48.3)	3	1	120 (54.4)
407302	80,000	24 (61.0)	23 $\frac{1}{16}$ x 19 (60.2 x 48.3)	4	1	160 (72.6)
407312	120,000	36 (91.4)	35 $\frac{1}{16}$ x 19 (90.7 x 48.3)	6	1	226 (102.5)
407372	160,000	48 (121.9)	47 $\frac{1}{16}$ x 19 (121.2 x 48.3)	8	2	392 (177.8)
407382	200,000	60 (152.4)	59 $\frac{1}{16}$ x 19 (151.6 x 48.3)	10	2	470 (213.2)



Outperform every day.™

www.vollrath.com

The Vollrath Company, L.L.C.
 1236 North 18th Street
 Sheboygan, WI 53081-3201 U.S.A.
 Customer Service: 800.628.0830
 Canada Customer Service: 800.695.8560
 Main Fax: 800.752.5620 or 920.459.6573

Technical Services: 800.628.0832
 Technical Services Fax: 920.459.5462