



Outperform every day.™

Project:  
Item Number:  
Quantity:

## MIRAGE® 16" X 16" INDUCTION BUFFET WARMERS



### ITEMS

Item No.	Model No.	Description
5950275	59502XX	Countertop, Black (US/Canada)
5950280	59502XX	Countertop, Natural (US/Canada)
59502DW	59502DW	Drop-in (US/Canada)

### FEATURES

- Connect up to three warmers with the included interconnect cords. The center warmer must connect to the electrical outlet.
- Up to five warmers (at maximum power) can be connected to a 15 amp circuit
- Storage compartment under warmer conveniently holds cords when not in use
- Touch controls
- Four power levels
- LED indicator lights on control panel and glass top
- Tempered black ceramic glass top is strong, non-porous and easy to clean
- Low profile design puts the focus on the food and compliments any decor
- Drop-in warmers can be installed overhanging countertop or countersunk
- 6 ft. (183 cm) cord with plug
- 30 in. (76.2 cm) interconnect cord
- 5 ft. (152.4 cm) USB cable for remotely mounted control box for drop-in warmers

### DESCRIPTION

Maximize your menu offerings without maxing out your electrical capacity with the Mirage® 16" x 16" Induction Buffet Warmers. The low wattage warmers can be interconnected to one electrical outlet, which simplifies the planning and management of power cords, access to outlets and load capacity. Available in countertop and drop-in styles, these warmers are ideally suited for buffet and catering operations

These induction buffet warmers are designed to work with a maximum of one induction-ready chafer or serving vessel.

The Mirage® 16" x 16" Induction Buffet Warmers are equipped with a variety of safety features including:

- Over-heat protection
- Small-article detection
- Pan auto-detection function
- Empty-pan shut-off

### WARRANTY

All models shown come with Vollrath's standard warranty against defects in materials and workmanship. For full warranty details, please refer to [www.Vollrath.com](http://www.Vollrath.com).

### Agency Certifications



This device complies with Part 18 FCC Rules.

Due to continued product improvement, please consult [www.vollrath.com](http://www.vollrath.com) for current product specifications.

### ACCESSORIES

- 59145 Carrying Case

### IMPORTANT

- This appliance is intended for use with induction-ready serving vessels.
- Countertop models require Countertop models require a distance equal to the height of the feet of the warmer.
- Drop-in models require a minimum of 2" (5 cm) of space between all four sides of the induction warmer and any surrounding surface, and a minimum 12" (30.5 cm) between the bottom of the induction warmer and any surrounding surface.
- Control box for drop-in models requires a minimum of 4" (10 cm) behind the control box and any surrounding surface.
- All models require unrestricted intake and exhaust air ventilation for proper operation of the controls. The maximum intake temperature must not exceed 110°F (43°C). Temperatures are measured in ambient air while all appliances in the kitchen are in operation.

Approvals	Date



Outperform every day.™

[www.vollrath.com](http://www.vollrath.com)

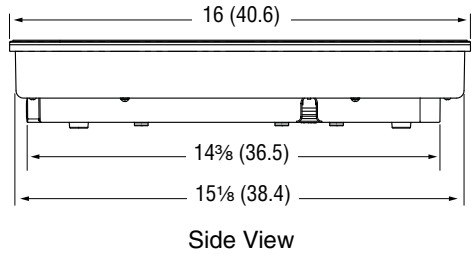
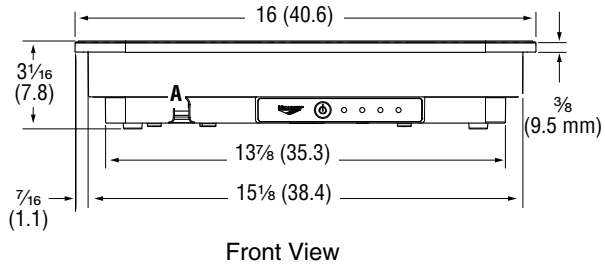
### The Vollrath Company, L.L.C.

1236 North 18th Street  
Sheboygan, WI 53081-3201 U.S.A.  
Main Tel: 800.624.2051 or 920.457.4851  
Main Fax: 800.752.5620 or 920.459.6573  
Customer Service: 800.628.0830  
Canada Customer Service: 800.695.8560

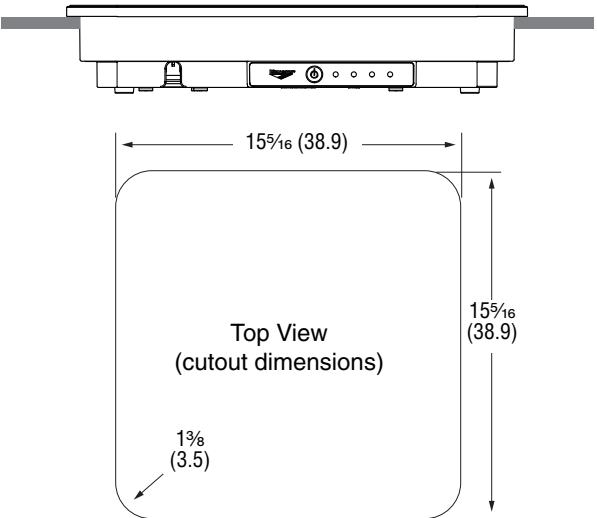
Technical Services  
[techservicereps@vollrathco.com](mailto:techservicereps@vollrathco.com)  
Induction Products: 800.825.6036  
Countertop Warming Products: 800.354.1970  
All Other Products: 800.628.0832

# MIRAGE® 16" X 16" INDUCTION BUFFET WARMERS

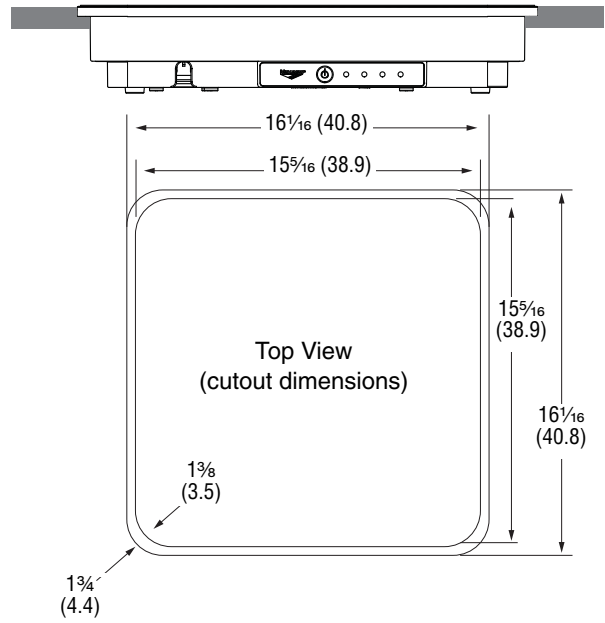
## DIMENSIONS (Shown in inches (cm))



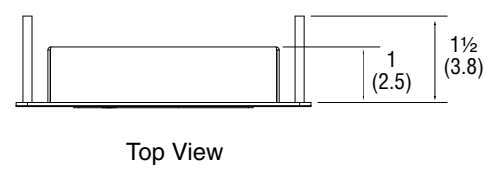
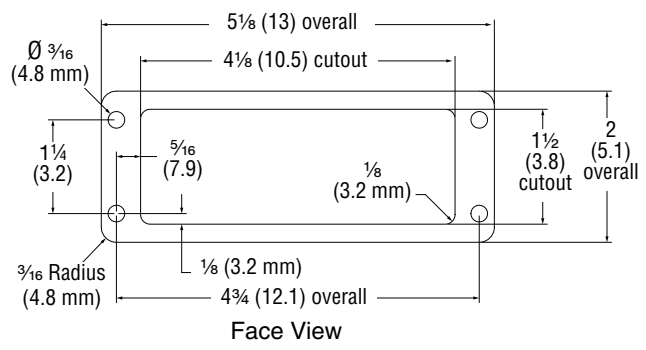
### Drop-in Model, Overhung Installation



### Drop-in Model, Countersunk Installation



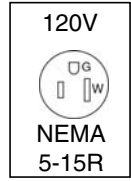
### Control Box (drop-in models only)



## SPECIFICATIONS

Item No.	Description	Max Pan Size	Watts	Volts	Amps	Hz	Plug	Weight LB (KG)
5950275	Countertop, Black	14 (35.6)	300	120	2.5	50/60	NEMA 5-15P	14 (6.4)
5950280	Countertop, Natural							
59502DW	Drop-in							

### Receptacle



Outperform every day.  
[www.vollrath.com](http://www.vollrath.com)

**The Vollrath Company, L.L.C.**  
1236 North 18th Street  
Sheboygan, WI 53081-3201 U.S.A.  
Main Tel: 800.624.2051 or 920.457.4851  
Main Fax: 800.752.5620 or 920.459.6573  
Customer Service: 800.628.0830  
Canada Customer Service: 800.695.8560

Technical Services  
[techservicereps@vollrathco.com](mailto:techservicereps@vollrathco.com)  
Induction Products: 800.825.6036  
Countertop Warming Products: 800.354.1970  
All Other Products: 800.628.0832