



Outperform every day.™

Project:

Item Number:

Quantity:

ULTRA SERIES DROP-IN INDUCTION RANGES



Ultra Series Drop-in Induction Ranges

DESCRIPTION

These high-efficiency, heavy-duty commercial drop-in induction ranges are designed for use in commercial kitchens and front-of-the-house cooking. They provide sensitive low-end control for cooking sauces, milks and chocolates as well as fast, high temperature cooking.

The case is made from 18-gauge 304 stainless steel with a vitro ceramic top. The ceramic top is easily cleaned with a mild cleaner.

The induction range is equipped with a variety of safety features including:

- Over-heat protection
- Small-article detection
- Pan auto-detection function
- Empty-pan shut-off

Agency Listings



This device complies with Part 18 FCC Rules.

MODELS

- 69505 Single Hob – NEMA 6-20P Plug
- 6950502 Single Hob – Schuko CEE7-7 Plug
- 6950503 Single Hob – UK2-15 (BS546) Plug
- 6950505 Single Hob – AU2-15P Plug
- 69508 Dual Hob, Front to Back – NEMA 6-50P Plug

FEATURES

- G4 engine for long life
- 100 power settings for precise cooking control
- Controlled high-end temperatures for saute, stir fry, stock pot and sauce pot applications
- Sensitive low-end control for cooking delicate sauces, cremes, and chocolates
- Continuous duty induction circuitry for non-stop cooking
- 90% efficiency rating
- Double oversized fans for longer life
- Digital display is easy to clean – no knobs to collect food and helps prevent accidental temperature changes
- Sloped control panel for runoff of liquid spills
- "HOT" warning display for safety
- Rubber feet to prevent slipping of appliance
- FCC Part 18 Approved
- Units come with 6' (183 cm) cord and plug and do not require hard wiring
- Two-year parts and labor warranty

IMPORTANT

- This appliance is intended for use with induction-ready cookware.
- All models require unrestricted intake and exhaust air ventilation for proper operation of the controls. The maximum intake temperature must not exceed 110°F (43°C). Temperatures are measured in ambient air while all appliances in the kitchen are in operation.
- Drop-in models require a minimum clearance of 3 inches (7.6 cm) at the rear and 1 inch (2.5 cm) at the bottom.

WARRANTY: All models shown come with Vollrath's standard warranty against defects in materials and workmanship. For full warranty details, please refer to the Vollrath Equipment and Smallwares Catalog.

Approvals	Date

Due to continued product improvement, please consult www.vollrath.com for current product specifications.

The Vollrath Company, L.L.C.
 Headquarters
 1236 North 18th Street
 Sheboygan, Wisconsin
 53081-3201 USA
 Tel: 800-624-2051 or
 920-457-4851
 Main Fax: 800-752-5620 or
 920-459-6573
www.vollrath.com

Vollrath Europe BV
 Beneluxbaan 7
 5121 AD RIJEN
 The Netherlands
 +31161870005

Vollrath of China
 Vollrath Shanghai Trading Limited
 23A, Time Square Plaza | 500
 Zhang Yang Road
 Pudong, Shanghai 200122
 Tel: 86-21-50589580

Vollrath de Mexico S. de R.L. de C.V.
 Periferico Sur No. 7980 Edificio 4-E
 Col. Santa Maria Tequepexpan
 45600 Tlaquepaque, Jalisco | Mexico
 Tel: (52) 333-133-6767
 Tel: (52) 333-133-6769
 Fax: (52) 333-133-6768

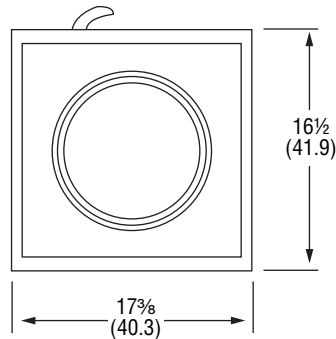
ULTRA SERIES DROP-IN INDUCTION RANGES

MODELS 69505	Single Hob – NEMA 6-20P Plug	6950505	Single Hob – AU2-15P Plug
6950502	Single Hob – Schuko CEE7-7 Plug	69508	Dual Hob, Front to Back – NEMA 6-50P Plug
6950503	Single Hob – UK2-15 (BS546) Plug		

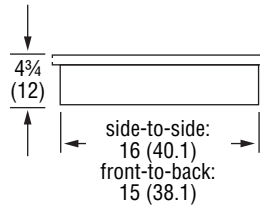
DIMENSIONS

Shown in inches (cm).

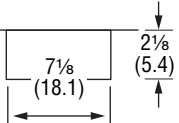
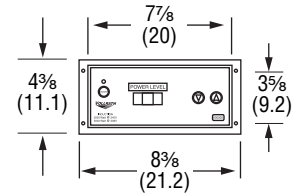
69505 / 6950502 / 6950503 / 6950505



Top View

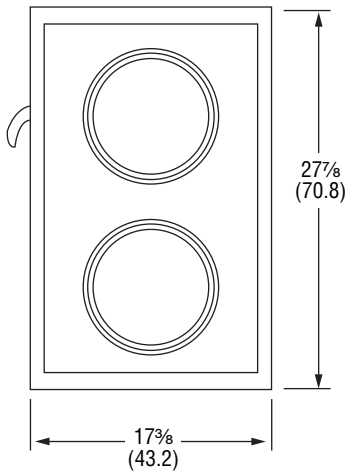


Side View

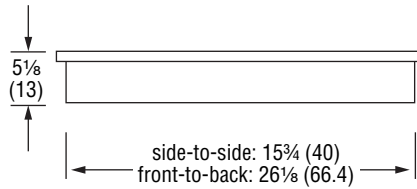


Control

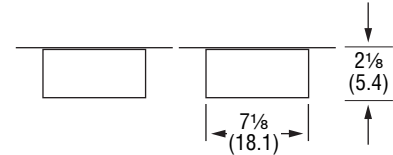
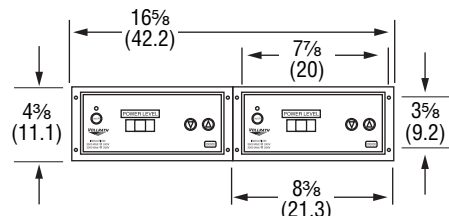
69508



Top View



Side View

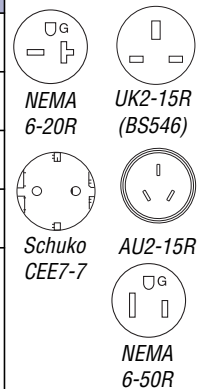


Control

SPECIFICATIONS

Model	Max Pan Size	Drop-in Cutout	Control Cutout	Voltage (AC)	KW	Amps	Wall/Supply Side Plug	Shipping Container	Shipping Weight
69505	14 (35.6)	16 1/8 x 15 1/8 (40.9 x 38.4)	7 1/4 x 3 7/8 (18.4 x 9.8)	208-240	3.0-3.5	14.6	NEMA 6-20P	25 x 19 x 9 (63.5 x 48.3 x 22.9)	27 (12.2)
6950502	14 (35.6)	16 1/8 x 15 1/8 (40.9 x 38.4)	7 1/4 x 3 7/8 (18.4 x 9.8)	208-240	3.0-3.5	14.6	Schuko CEE7-7	25 x 19 x 9 (63.5 x 48.3 x 22.9)	27 (12.2)
5950503	14 (35.6)	16 1/8 x 15 1/8 (40.9 x 38.4)	7 1/4 x 3 7/8 (18.4 x 9.8)	208-240	3.0-3.5	14.6	UK2-15P (BS546)	25 x 19 x 9 (63.5 x 48.3 x 22.9)	27 (12.2)
6950505	14 (35.6)	16 1/8 x 15 1/8 (40.9 x 38.4)	7 1/4 x 3 7/8 (18.4 x 9.8)	208-240	3.0-3.5	14.6	AU2-15P	25 x 19 x 9 (63.5 x 48.3 x 22.9)	27 (12.2)
69508	12 (30.5)	26 3/8 x 15 7/8 (67 x 40.3)	7 1/4 x 3 7/8 (x 2) (18.4 x 9.8) (x 2) Two control boxes. Minimum spacing is 16.2 (42.2)	208-240	3.0-3.5 Per Hob	29.2	NEMA 6-50P	35 x 21 x 9 (53.3 x 88.9 x 22.9)	43 (19.5)

Receptacles



The Vollrath Company, L.L.C.
Headquarters
1236 North 18th Street
Sheboygan, Wisconsin
53081-3201 USA
Tel: 800-624-2051 or
920-457-4851
Main Fax: 800-752-5620 or
920-459-6573
www.vollrath.com

Vollrath Europe BV
Beneluxbaan 7
5121 AD RIJEN
The Netherlands
+31161870005

Vollrath of China
Vollrath Shanghai Trading Limited
23A, Time Square Plaza | 500
Zhang Yang Road
Pudong, Shanghai 200122
Tel: 86-21-50589580

Vollrath de Mexico S. de R.L. de C.V.
Periferico Sur No. 7980 Edificio 4-E
Col. Santa Maria Tequepexpan
45600 Tlaquepaque, Jalisco | Mexico
Tel: (52) 333-133-6767
Tel: (52) 333-133-6769
Fax: (52) 333-133-6768