



Project:

Item Number:

Quantity:

PROGRESSIVE STYLE BREATH GUARDS



Double-Sided Buffet – NSF



Single-Sided Buffet – Standard



Sided Buffet – Standard



Cafeteria with Top Shelf – NSF

DESCRIPTION

Progressive breath guards are both light weight for easy installation and strong for long-term use. These breath guards can be used with Signature Server 2.0, Signature Server Classic, Milestone and drop-ins. These are available in Standard as well as NSF certified models.

FEATURES

- End frames constructed of 3/8" (1 cm) water-jet cut aluminum with extruded aluminum glass frames
- 1/4" (6.4 mm) tempered glass is secured in a tight-fitting channel, creating a continuous, clean line from framework to glass
- NSF rated models feature extended glass side panels and 1/4" (6.4 mm) acrylic end panels
- Color choices include standard Gray Hammer Semi-gloss or nine stylish powder-coated color

WARRANTY: All models shown come with Vollrath's standard warranty against defects in materials and workmanship. For full warranty details, please refer to the Vollrath Equipment and Smallwares Catalog.

BUILD A MODEL NUMBER

Step 1* Select Base Item					Step 2 Select Color		Optional Step 3 Select Accessories	
Length	Standard		NSF		Suffix	Color	Not available for Single-Sided Buffet style.	
	Signature Server® Classic	Signature Server® 2.0, Milestone™, Drop-ins	Signature Server® Classic	Signature Server® 2.0, Milestone™, Drop-ins			Suffix	Length
Double Sided Buffet								
2-Well/Pan	98400	GB98400	N98400	NGB98400	99	Standard Gray Hammer	25	2-Well/Pan
3-Well/Pan	98401	GB98401	N98401	NGB98401	00	Polished Chrome	26	3-Well/Pan
4-Well/Pan	98402	GB98402	N98402	NGB98402			27	4-Well/Pan
5-Well/Pan	98403	GB98403	N98403	NGB98403			28	5-Well/Pan
6-Well/Pan	98404	GB98404	N98404	NGB98404	10	Brass	29	6-Well/Pan
Single Sided Buffet with Top Shelf								
2-Well/Pan	98405	GB98405	N98405	NGB98405	20	Blk Hammer Semi-Gloss	15	2-Well/Pan
3-Well/Pan	98406	GB98406	N98406	NGB98406	30	Black 80% Gloss	31	3-Well/Pan
4-Well/Pan	98407	GB98407	N98407	NGB98407			32	4-Well/Pan
5-Well/Pan	98408	GB98408	N98408	NGB98408			33	5-Well/Pan
6-Well/Pan	98409	GB98409	N98409	NGB98409	40	White Hammer	34	6-Well/Pan
Single Sided Buffet								
2-Well/Pan	98410	GB98410	N98410	NGB98410	50	Copper Vein	35	2-Well/Pan
3-Well/Pan	98411	GB98411	N98411	NGB98411	60	Silver Vein	36	3-Well/Pan
4-Well/Pan	98412	GB98412	N98412	NGB98412			37	4-Well/Pan
5-Well/Pan	98413	GB98413	N98413	NGB98413			38	5-Well/Pan
6-Well/Pan	98414	GB98414	N98414	NGB98414	70	Black/White	39	6-Well/Pan
Cafeteria with Top Shelf								
2-Well/Pan	98415	GB98415	N98415	NGB98415	80	Silver Hammertone	Cayenne® Heat Strips	
3-Well/Pan	98416	GB98416	N98416	NGB98416			35	2-Well/Pan
4-Well/Pan	98417	GB98417	N98417	NGB98417			36	3-Well/Pan
5-Well/Pan	98418	GB98418	N98418	NGB98418			37	4-Well/Pan
6-Well/Pan	98419	GB98419	N98419	NGB98419			38	5-Well/Pan
							39	6-Well/Pan
					Cayenne® Heat Strips w/ Lights			
					12	2-Well/Pan		
					41	3-Well/Pan		
					42	4-Well/Pan		
					43	5-Well/Pan		
					44	6-Well/Pan		

* When ordering breath guards for Signature Server® Classic units, 14 gauge countertops must be specified, will be supplied by Vollrath and added to the cost of the base. Please see the Vollrath Food Service Illustrated List Prices book.

Due to continued product improvement, please consult www.vollrathco.com for current product specifications.

Approvals	Date



Setting the Standard™

www.vollrathco.com

The Vollrath Company, L.L.C.
 1236 North 18th Street
 Sheboygan, WI 53081-3201 U.S.A.
 Customer Service: 800.628.0830
 Canada Customer Service: 800.695.8560
 Main Fax: 800.752.5620 or 920.459.6573

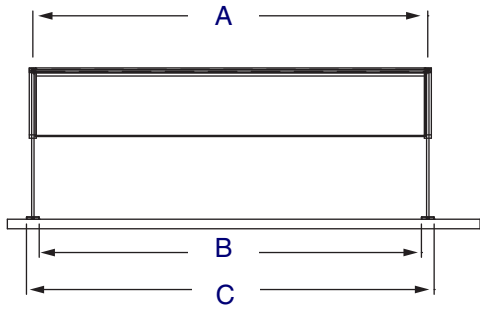
Technical Services: 800.628.0832
 Technical Services Fax: 920.459.5462

PROGRESSIVE STYLE BREATH GUARDS

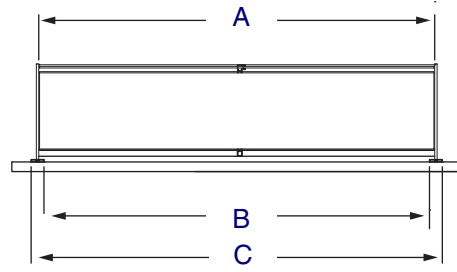
DIMENSIONS

Dimensions shown in inches (cm).

Front View



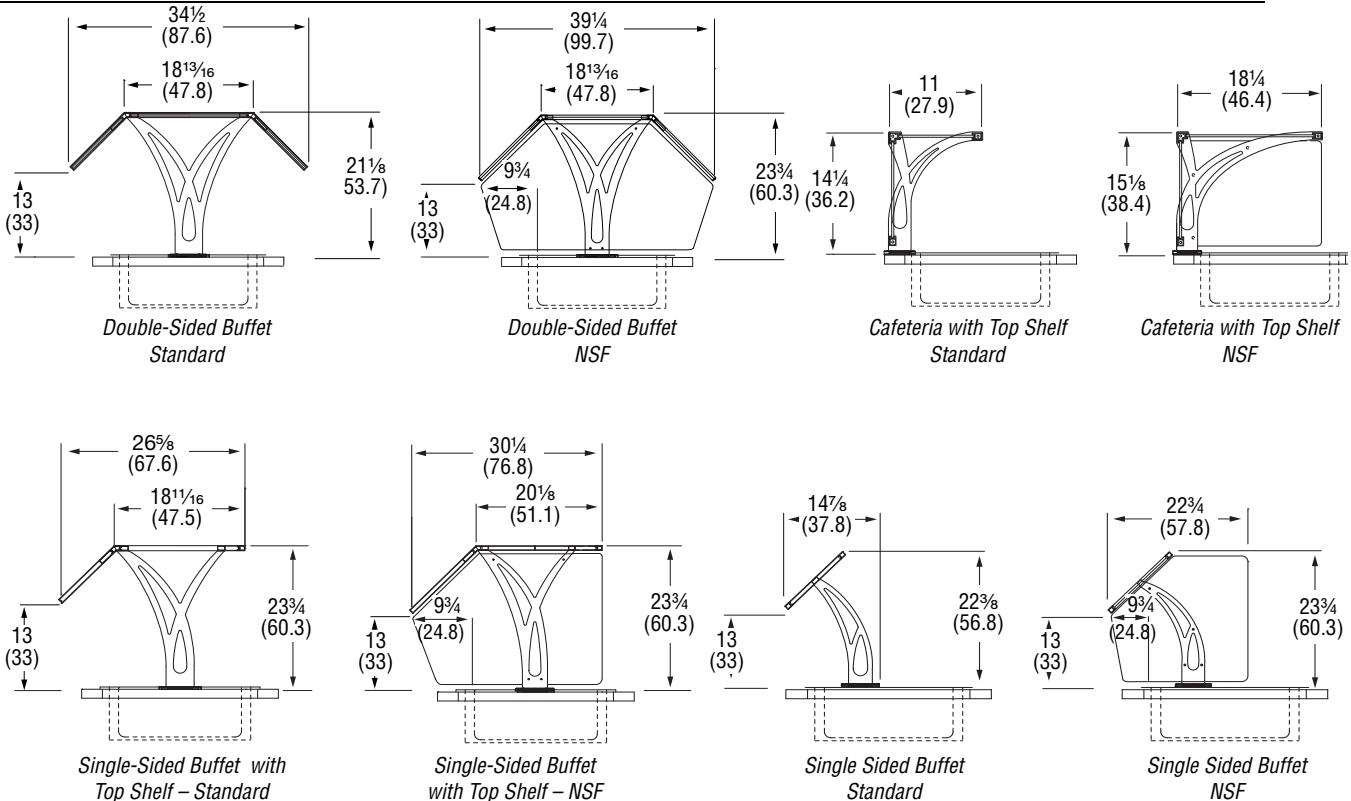
Double Sided Buffet, Single Sided Buffet with Top Shelf and Single Sided Buffet



Single Sided Cafeteria with Top Shelf

Style	(A) Centerline to Centerline	(B) Inside of Flange to Inside of Flange	(C) Outside of Flange to Outside of Flange
Two-Well/Pan	32½ (82.6)	30½ (77.5)	34½ (87.6)
Three-Well/Pan	45 (114.3)	43 (109.2)	47 (119.4)
Four-Well/Pan	58¼ (148)	56¼ (142.9)	60¼ (153)
Five-Well/Pan	71½ (181.6)	69½ (176.5)	73½ (186.7)
Six-Well/Pan	84¾ (215.3)	82¾ (210.2)	86¾ (220.3)

Side View



The Vollrath Company, L.L.C.
 1236 North 18th Street
 Sheboygan, WI 53081-3201 U.S.A.
 Customer Service: 800.628.0830
 Canada Customer Service: 800.695.8560
 Main Fax: 800.752.5620 or 920.459.6573

Technical Services: 800.628.0832
 Technical Services Fax: 920.459.5462