



Outperform every day.™

Project:
Item Number:
Quantity:

Conveyor Bagel and Bun Toasters - 400-500 Slices Per Hour*

The Vollrath Company, L.L.C.

CONVEYOR BAGEL AND BUN TOASTERS - 400-500 SLICES PER HOUR* (MODELS JT1B, JT1BH)



CT2B-120500



CT2BH-120400

ITEMS

Item No.	Model	Description
CT2B-120500	JT1B	500 Slices Per Hour*
CT2BH-120400	JT1BH	400 Slices Per Hour*, High Clearance

FEATURES

- Stainless steel and aluminized steel construction.
- Variable speed control allows for real-time adjustments.
- Top and Top-Bottom heat switch to quickly change between one-sided and two-sided toasting.
- 10½" (26.7 cm) 2-slice wide conveyor is larger than industry standard for better toasting results.
- Forced convection toasting promotes uniform results and energy efficiency.
- Energy efficient, fast reacting, quartz heaters.
- Standby mode saves up to 75 percent energy during slow periods when unit is not in use and allows machine to quickly return to full power.
- High-temperature bearings ensure smooth operation and do not require lubrication.
- High-quality, insulated wires help prevent against dry rotting and cracking.
- High-temperature thermoplastic terminal blocks with stainless steel clamping provides superior connections; designed for ease of serviceability.
- Maintenance-free drive system; stainless steel drive chain does not require lubrication.
- Adjustable legs.
- 4½ ft. (1.4 m) cord with plug.
- Made in the USA.

DESCRIPTION

Vollrath's conveyor bagel and bun toasters are designed for one-sided toasting. They toast the cut side and warm the crown of bagels and buns. Variable speed control dials in ideal browning. Ideal for medium-volume operations that will mainly toast bagels and buns, but also want the option of low-volume two-side toasting.

AGENCY LISTINGS



* Slices per hour is based on maximum conveyor speed. Conveyor speed determines toasting time and affects color and texture of the toast. Results may vary based upon type of bread, color and texture preference.

Due to continued product improvement, please consult www.vollrath.com for current product specifications.

WARRANTY

- Warranted parts: The warranty period is 2 year parts, 1 year labor.
- Heater tubes: The warranty period is 1 year, including labor when performed at an authorized service center. Heater tube glass damage is not covered by this warranty.
- For full warranty details, please refer to www.Vollrath.com.

CLEARANCE AND ENVIRONMENT REQUIREMENTS

- Do not place on surfaces or near walls, partitions or kitchen furniture unless they are made of non-combustible material or clad with non-combustible heat-insulating material. Toasters must not be used near or below curtains and other combustible materials.
- Maximum ambient temperature: 104° F (40 ° C).

Approvals	Date



Outperform every day.™

www.vollrath.com

The Vollrath Company, L.L.C.

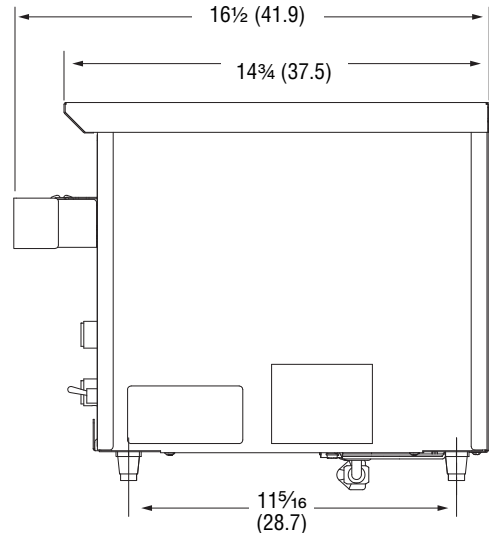
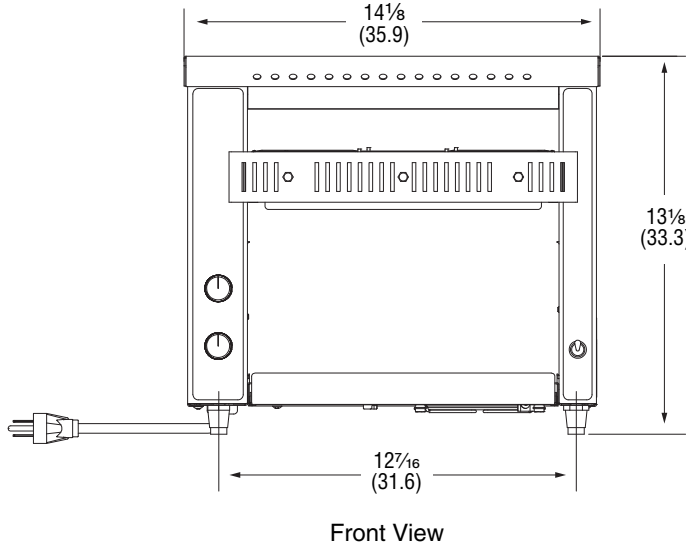
1236 North 18th Street
Sheboygan, WI 53081-3201 U.S.A.
Main Tel: 800.624.2051 or 920.457.4851
Main Fax: 800.752.5620 or 920.459.6573
Customer Service: 800.628.0830
Canada Customer Service: 800.695.8560

Technical Services
techservicereps@vollrathco.com
Toasters: 1-800-309-2250
All Other Products: 800.628.0832

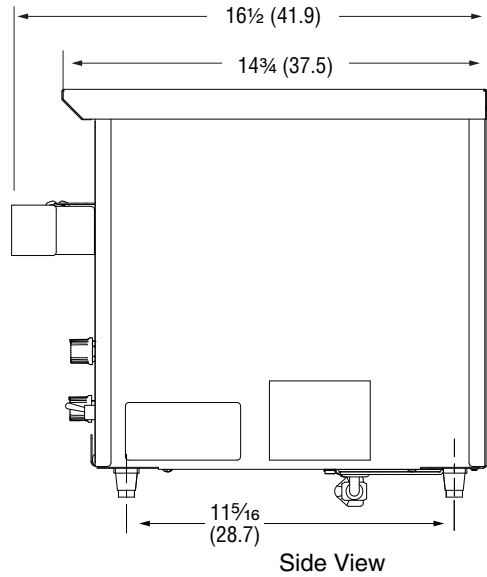
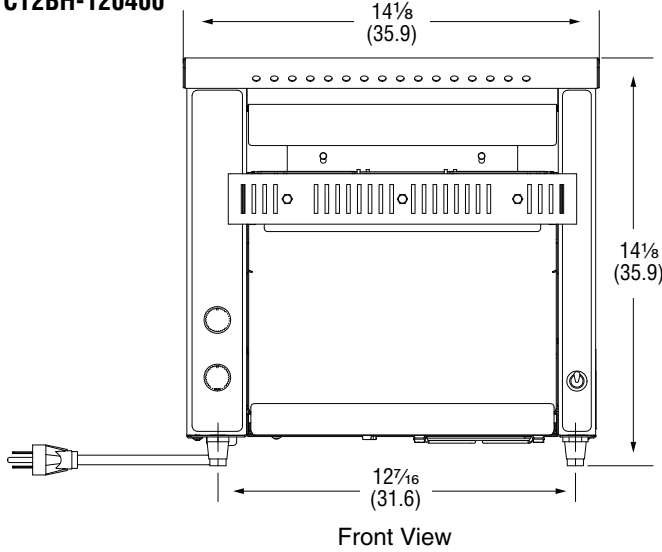
CONVEYOR BAGEL AND BUN TOASTERS - 400-500 SLICES PER HOUR* (MODELS JT1B, JT1BH)

DIMENSIONS (Shown in inches (cm))

CT2B-120500



CT2BH-120400



SPECIFICATIONS

Item No.	Model No.	Bagel or Bun Halves per Hour (Up to)*	Product Opening In (CM)	Voltage	Watts	Amps	Hz	Weight LB (kg)	Plug	Receptacle
CT2B-120500	JT1B	500	1 3/8 (3.2)	120	1600	13.3	60	32 (14.5)	NEMA 5-15P	120V NEMA 5-15R
CT2BH-120400	JT1BH	400	1-2 1/8 (2.5-7.6)					37 (16.8)		

* Slices per hour is based on maximum conveyor speed. Conveyor speed determines toasting time and affects color and texture of the toast. Results may vary based upon type of bread, color and texture preference.



Outperform every day.™

www.vollrath.com

The Vollrath Company, L.L.C.
 1236 North 18th Street
 Sheboygan, WI 53081-3201 U.S.A.
 Main Tel: 800.624.2051 or 920.457.4851
 Main Fax: 800.752.5620 or 920.459.6573
 Customer Service: 800.628.0830
 Canada Customer Service: 800.695.8560

Technical Services
techservicereps@vollrathco.com
 Toasters: 1.800.309.2250
 All Other Products: 1.800.628.0832