



Outperform every day.™

Project:

Item Number:

Quantity:

## ACRYLIC BAKERY CASES



EBC



ELBC-1



ESBC-2



EMBC-2



LBC

Acrylic Bakery Cases

### DESCRIPTION

Vollrath's Acrylic Bakery Cases are available in several styles and sizes to merchandize a variety of products. Heavy-duty acrylic construction is light-weight yet durable. Cases feature front or front and rear access doors.

**WARRANTY:** All models shown come with Vollrath's standard warranty against defects in materials and workmanship. For full warranty details, please refer to the Vollrath Equipment and Smallwares Catalog.

Due to continued product improvement, please consult [www.vollrath.com](http://www.vollrath.com) for current product specifications.

### MODELS

- EBC** Premium Bakery Case with Front and Rear Doors
- EBC-P** Premium Bakery Case Package
- ELBC-1** Euro Curve Case, Large with Rear Door
- ELBC-2** Euro Curve Case, Large with Front and Rear Doors
- EMBC-1** Euro Curve Case, Medium with Rear Door
- EMBC-2** Euro Curve Case, Medium with Front and Rear Doors
- ESBC-1** Euro Curve Case, Small with Rear Door
- ESBC-2** Euro Curve Case, Small with Front and Rear Doors
- LBC** Angled Front Case, Full-Size Trays, Front and Rear Doors
- SBC** Angled Front Case, Half-Size Trays, Front and Rear Doors,

### FEATURES

#### EBC and EBC-P Premium Bakery Cases

- High-quality, heavy-gauge crystal clear acrylic construction
- Soft-down hinged doors provide easy, one-hand access
- Front and rear doors
- Individual front doors prevent crumbs from falling onto lower trays
- Shelves can be adjusted to 0°, 7° and 14° angles for optimum presentation
- Bottom compartment holds additional inventory or optional tong/tissue/bag organizer
- EBC-P package includes three 18" x 26" (45.7 x 66 cm) clear trays, lighting, abrasion resistant rear door mirror and tong/tissue/bag organizer

#### ELBC, EMBC and ESBC Euro Curve Bakery Cases

- Heavy-duty, crystal clear acrylic construction
- Available in two styles - rear door only or front and rear doors
- ELBC include three 18" x 26" (45.7 x 66 cm) white trays
- EMBC includes three 14" x 18" (35.6 x 66 cm) white trays
- ESBC includes two 10" x 14" (25.4 x 35.6 cm) white trays
- Sized to fit most standard self-serve counters
- Rubber feet reduce slippage and protect countertops

#### LBC and SBC Angled Front Bakery Cases

- Heavy-duty crystal clear acrylic construction
- Both sizes feature front and rear access doors
- Individual front doors prevent crumbs from falling onto lower trays
- LBC Includes three 18" x 26" (45.7 x 66 cm) white trays
- SBC Includes three 14" x 18" (35.6 x 66 cm) white trays
- Rubber feet reduce slippage and protect countertops

Approvals

Date



Outperform every day.™  
[www.vollrath.com](http://www.vollrath.com)

The Vollrath Company, L.L.C.  
1236 North 18th Street  
Sheboygan, WI 53081-3201 U.S.A.  
Customer Service: 800.628.0830  
Canada Customer Service: 800.695.8560  
Main Fax: 800.752.5620 or 920.459.6573

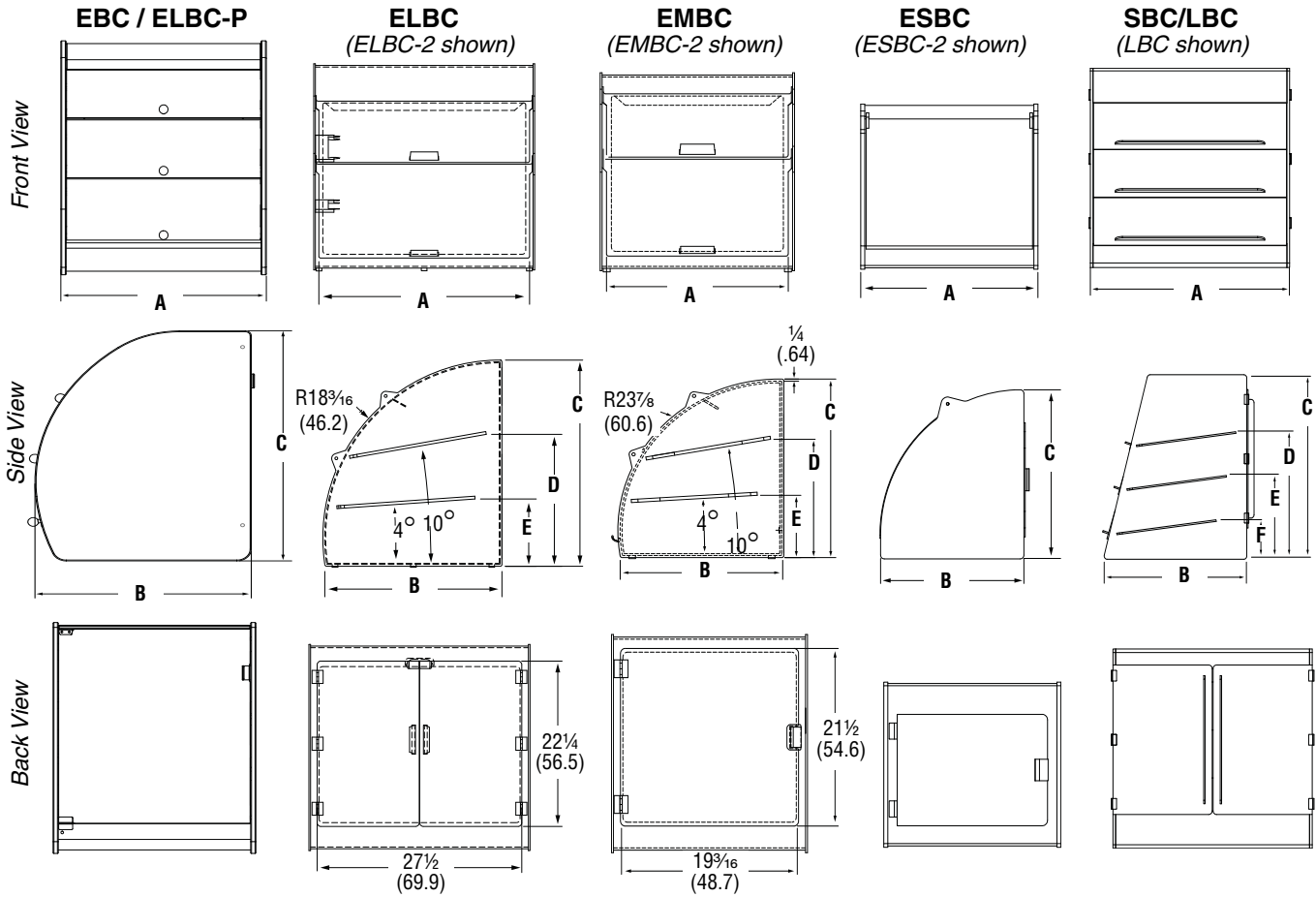
Technical Services: 800.628.0832  
Technical Services Fax: 920.459.5462

# ACRYLIC BAKERY CASES

## MODELS

<b>EBC</b>	Premium Bakery Case with Front and Rear Doors	<b>ESBC-1</b>	Euro Curve Case, Small with Rear door
<b>EBC-P</b>	Premium Bakery Case Package	<b>ESBC-2</b>	Euro Curve Case, Small with Front and Rear Doors
<b>ELBC-1</b>	Euro Curve Case, Large with Rear Door	<b>LBC</b>	Angled Front Case, Full-Size Trays,
<b>ELBC-2</b>	Euro Curve Case, Large with Front and Rear Doors		Front and Rear Doors
<b>EMBC-1</b>	Euro Curve Case, Medium with Rear Door	<b>SBC</b>	Angled Front Case, Half-Size Trays,
<b>EMBC-2</b>	Euro Curve Case, Medium with Front and Rear Doors		Front and Rear Doors

## DIMENSIONS (Shown in inches (cm))



Model	Dimensions - IN (CM)						Material Thickness - IN (MM)				Electrical					
	(A) Width	(B) Depth	(C) Height	(D) Top Shelf	(E) Middle Shelf	(F) Bottom Shelf	Top	Bottom	Body	Side	Front Door	Rear Door	Light Fixtures	Amps	Watts	NEMA Plug
EBC / EBC-P	29 (73.7)	26 (66)	33 (83.8)	Adjustable	Adjustable	N/A	1/2 (12.7)	1/2 (12.7)	-	3/4 (19.1)	3/8 (9.5)	3/8 (9.5)	4	.68	81.1	5-15P
ELBC-1	29 3/4 (75.6)	24 1/8 (61.3)	27 3/4 (70.5)	17 3/4 (45.1)	9 1/8 (23.2)	N/A	-	-	1/8 (3.2)	1/4 (6.4)	1/8 (3.2)	N/A				
ELBC-2	29 3/4 (75.6)	24 1/8 (61.3)	27 3/4 (70.5)	17 3/4 (45.1)	9 1/8 (23.2)	N/A	-	-	3/32 (2.4)			3/8 (9.5)				
EMBC-1	21 1/8 (53.7)	18 3/4 (47.6)	21 1/8 (53.7)	14 1/4 (36.2)	7 1/2 (19.1)	N/A	-	-	3/32 (2.4)	1/4 (6.4)	1/8 (3.2)	N/A				
EMBC-2	21 1/8 (53.7)	18 3/4 (47.6)	21 1/8 (53.7)	14 1/4 (36.2)	7 1/2 (19.1)	N/A	-	-	3/32 (2.4)	1/4 (6.4)	1/8 (3.2)	1/8 (3.2)				
ESBC-1	16 1/2 (41.9)	13 1/2 (34.3)	15 3/8 (39.1)	8 (20.3)	-	N/A	-	-	5/64 (2)	1/4 (6.4)	3/32 (2.4)	N/A				
ESBC-2	16 1/2 (41.9)	13 1/2 (34.3)	15 3/8 (39.1)	8 (20.3)	-	N/A	-	-	5/64 (2)		3/32 (2.4)	3/32 (2.4)				
LBC	28 (71.1)	24 (61)	28 (71.1)	15 (38.1)	9 1/2 (24.1)	4 (10.2)	1/4 (6.4)	1/4 (6.4)	-	1/2 (12.7)	3/16 (4.8)	1/8 (3.2)				
SBC	19 1/4 (48.9)	18 1/4 (46.4)	21 1/4 (54)	20 (50.8)	13 1/2 (34.3)	7 (17.8)	1/4 (6.4)	1/4 (6.4)	-	3/8 (9.5)	3/16 (4.8)	1/8 (3.2)				



Outperform every day.™

www.vollrath.com

The Vollrath Company, L.L.C.  
 1236 North 18th Street  
 Sheboygan, WI 53081-3201 U.S.A.  
 Customer Service: 800.628.0830  
 Canada Customer Service: 800.695.8560  
 Main Fax: 800.752.5620 or 920.459.6573

Technical Services: 800.628.0832  
 Technical Services Fax: 920.459.5462