

Item No.: \_\_\_\_\_ Qty.: \_\_\_\_\_  
Model No.: \_\_\_\_\_  
Project No.: \_\_\_\_\_



## Economy Series Hand Sink

*Economy 14" Hand Sink, Wall Mounted*

EHS-14X

### Features

- 18 Gauge, 300 series stainless steel
- 6" Backsplash with 2" return
- Goose neck faucet
- 1-1/2" Drain opening
- Strainer included
- Z-clip mounting bracket
- Easy to clean and sanitize

### Options

- Side Splashes
- Faucet Upgrade
- Apron Skirt
- P-Trap
- Overflow

### Materials

- Sink & Bowl: 18 gauge, 300 series stainless steel
- Top: Backsplash is 18 gauge, 300 series stainless steel

### Mechanical

- 1-1/8" (29mm) faucet holes on 4" (102mm) centers
- 1-1/2" (38mm) waste drain opening

### Flyer Product

*In keeping with our policy of continuing product improvement, Elkay SSP reserves the right to change product specifications without notice.*



**AUTOQUOTES**



*This specification describes an Elkay SSP product with design, quality and functional benefits to the user. When making a comparison of other producers' offerings, be certain these features are not overlooked.*

### Elkay SSP

421 N. Freya St.  
Spokane, WA 99205  
Phone: 800-726-0553 Fax: 509-535-1493

Website: [www.sspinc.net](http://www.sspinc.net)  
Email: [sspsales@elkay.com](mailto:sspsales@elkay.com)

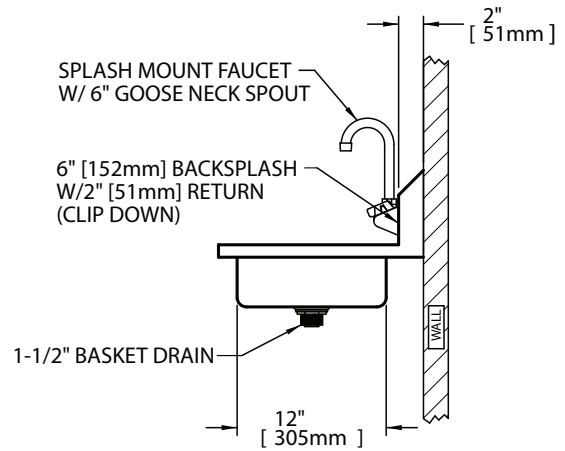
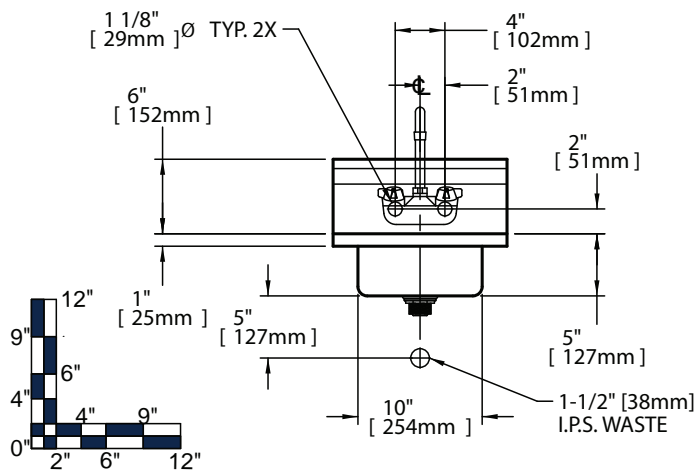
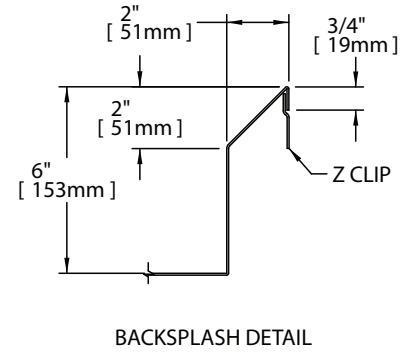
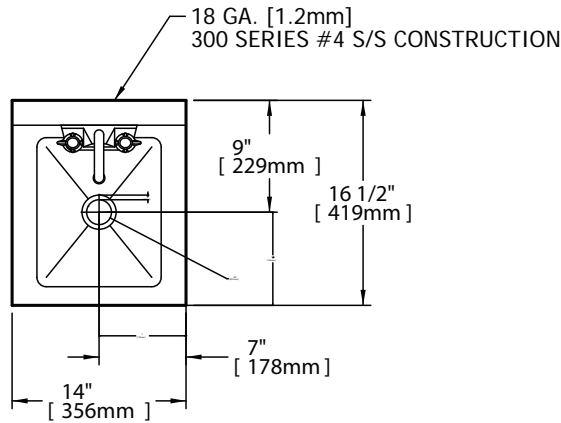
©2011 Elkay

SNK-EHS14X10OCT2011

Page 1 of 2



Item No.: \_\_\_\_\_ Qty.: \_\_\_\_\_  
 Model No.: \_\_\_\_\_  
 Project No.: \_\_\_\_\_



Economy Hand Sinks																
	Bowl Dimensions						Overall Size				Drain Location DL	Weight				
	Width		Front-to-Back		Depth		Width		Front-to-Back			Height				
	A	B	C	D	E	F	G	H	I	J		K	L			
	in.	mm	in.	mm	in.	mm	in.	mm	in.	mm	in.	mm	in.	mm	lbs.	kg
EHS - 14 - X	10	254	14	356	5	127	14	356	18	457	11	279	10.0	254	12	5

\* Custom sizes also available

