

**PRODUCT SPECIFICATIONS**

Elkay Commercial Electronic Sensor Scrub/Handwash Battery Powered Wall Mount Faucet Chrome. Faucet has a flow rate of 2.0 GPM, and is made of Chrome Plated Brass material, with a Electronic Control Module valve. Faucet requires 1 faucet holes.

<b>Mounting Type:</b>	Wall Mount
<b>Special Features:</b>	Solid Brass Construction Hands free Sensor activated
<b>Finish:</b>	Chrome (CR)
<b>Handle Type:</b>	Sensor Operated (Hands Free)
<b>Deck Clearance:</b>	6-5/8"
<b>Spout Reach:</b>	7-1/2"
<b>Spout Height:</b>	10-7/8"
<b>Hole Drillings:</b>	1
<b>Material:</b>	Chrome Plated Brass
<b>Valve Type:</b>	Electronic Control Module
<b>Valve Connection:</b>	1/2" NPT Female
<b>Flow Rate:</b>	2.0 GPM
<b>Spout Swing Rotation:</b>	0°
<b>Spout Type:</b>	Fixed Spout

**Special Note:** in-line filter with clean out trap and flexible supply hose.



Chrome  
(CR)



**Included with Product:** AC plug-in and batter holder with four AA batteries

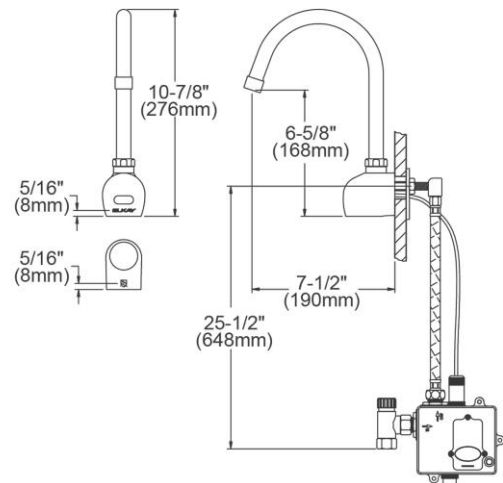
AMERICAN PRIDE. A LIFETIME TRADITION.  
Like your family, the Elkay family has values and traditions that endure. For almost a century, Elkay has been a family-owned and operated company, providing thousands of jobs that support our families and communities.

**Product Compliance:** ADA & ICC A117.1  
ASME A112.18.1/CSA B125.1  
NSF 61  
NSF 372 (lead free)



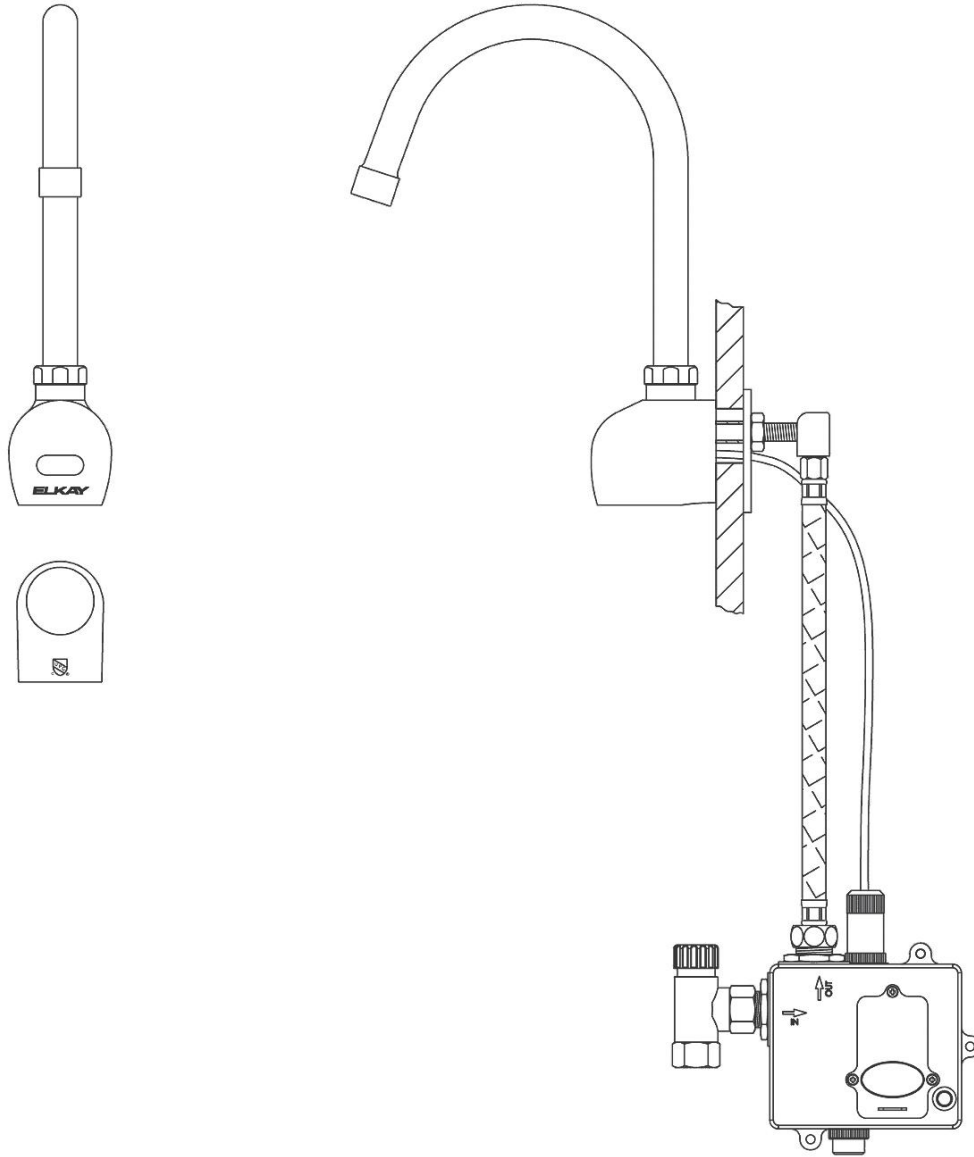
Complies with ADA & ICC A117.1 accessibility requirements when installed according to the requirements outlined in these standards.

[Clean and Care Manual \(PDF\)](#)  
[Installation Instructions \(PDF\)](#)  
[Limited Warranty \(PDF\)](#)



PART: \_\_\_\_\_ QTY: \_\_\_\_\_  
PROJECT: \_\_\_\_\_  
CONTACT: \_\_\_\_\_  
DATE: \_\_\_\_\_  
NOTES: \_\_\_\_\_  
APPROVAL: \_\_\_\_\_

*In keeping with our policy of continuing product improvement, Elkay reserves the right to change product specifications without notice. Please visit [elkay.com](http://elkay.com) for the most current version of Elkay product specification sheets. This specification describes an Elkay product with design, quality, and functional benefits to the user. When making a comparison of other producers' offerings, be certain these features are not overlooked.*



PART NUMBER	NUMBER REQUIRED	PART DESCRIPTION
98539C	1	SOLENOID ASSEMBLY
98540C	1	PCB BOARD & SENSOR PLUG ASSEMBLY
98541C	1	SENSOR ASSEMBLY
98542C	1	AERATOR ASSEMBLY

*In keeping with our policy of continuing product improvement, Elkay reserves the right to change product specifications without notice. Please visit [elkay.com](http://elkay.com) for the most current version of Elkay product specification sheets. This specification describes an Elkay product with design, quality, and functional benefits to the user. When making a comparison of other producers' offerings, be certain these features are not overlooked.*