



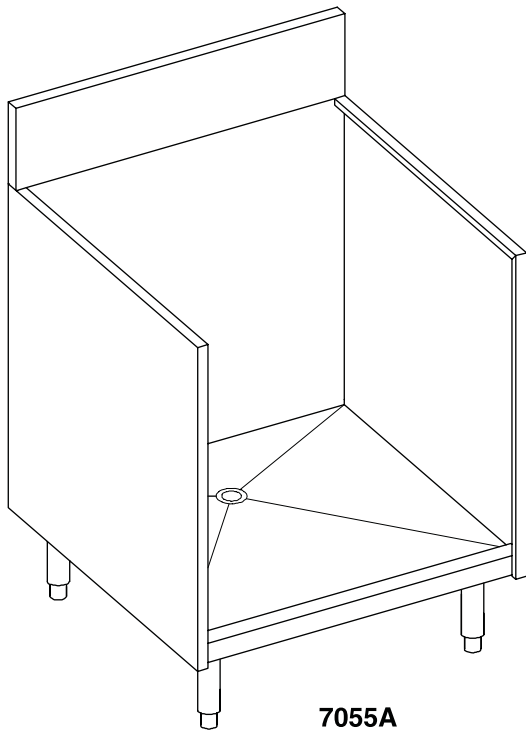
# STORAGE BINS FOR GLASSWARE

## Perlick Features

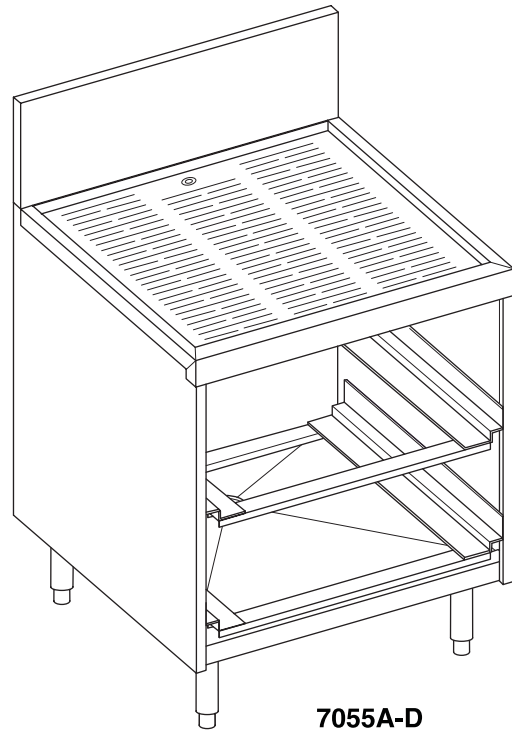
- Embossed stainless steel drainboard.
- Quality construction.

## MODEL NOS.

- 7055A
- 7055A-D



7055A



7055A-D



8300 West Good Hope Road • Milwaukee, WI 53223 • Phone 414-353-7060 • Fax 414-353-7069  
Toll Free 800-558-5592 • E-Mail: [Perlick@Perlick.com](mailto:Perlick@Perlick.com) • [www.Perlick.com](http://www.Perlick.com)

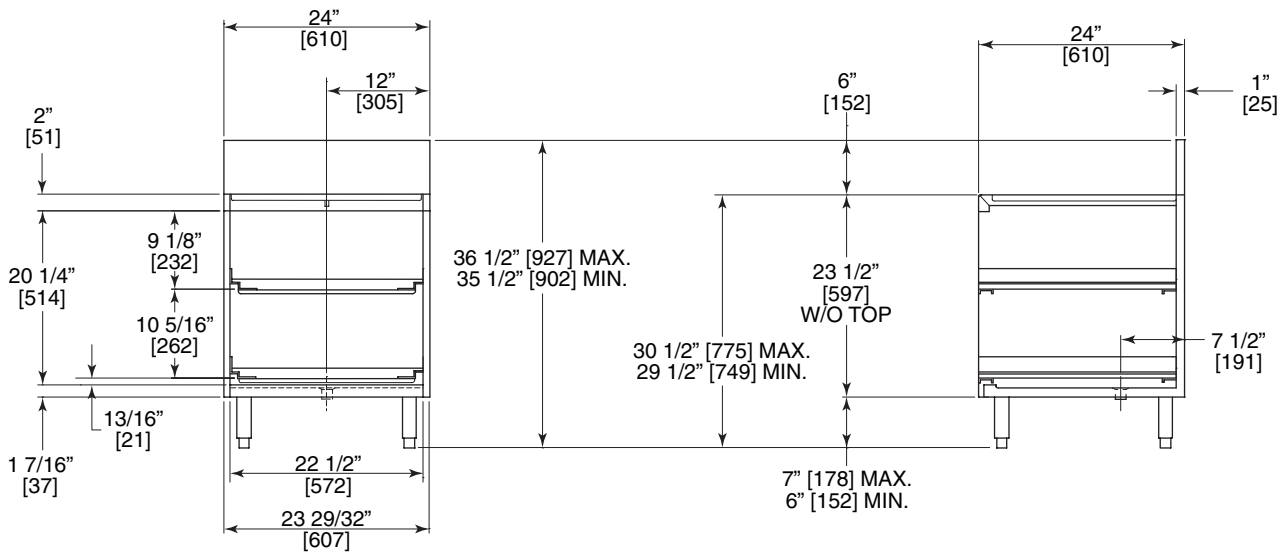
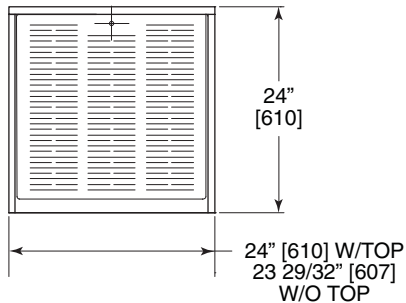
Form No. SB01  
Rev. 05.12.07



# Sizes and Specifications Storage Bins for Glassware

Job \_\_\_\_\_  
 Area \_\_\_\_\_  
 Item No. \_\_\_\_\_  
 Model No. \_\_\_\_\_

MODEL NOS.	7055A (NSF listed)	7055A-D
LENGTH INS. (mm)	24 (610)	24 " (610)
SHIP WT lbs. (kg)	50 (23)	65 (30)
GENERAL PARTS	Stainless steel.	
BACKSPLASH	<b>General:</b> Stainless steel 6" high (4" high optional) with 1" return at top, mechanically fastened and sealed with steel support brackets.	
DRAINBOARD	<b>Model No. 7055A-D:</b> Embossed stainless steel, 21 <sup>7</sup> / <sub>16</sub> " deep front to back. All horizontal and vertical edges 1/4" radius with balled corners. Underside reinforced with welded brackets.	
LEGS	1 <sup>5</sup> / <sub>8</sub> " tubular, stainless steel with 1" adjustable stainless steel foot.	
PLUMBING	Bin drain-connection - 1 NPS Male. Drainboard: Drain fitting at rear furnished with 1/2" I.D. flexible hose to drain water at bottom.	



8300 West Good Hope Road • Milwaukee, WI 53223 • Phone 414-353-7060 • Fax 414-353-7069  
 Toll Free 800-558-5592 • E-Mail: Perlick@Perlick.com • www.Perlick.com

Perlick is committed to continuous improvement.  
 Therefore, we reserve the right to change specifications without prior notice.

Form No. SB01  
 Rev. 05.12.07