

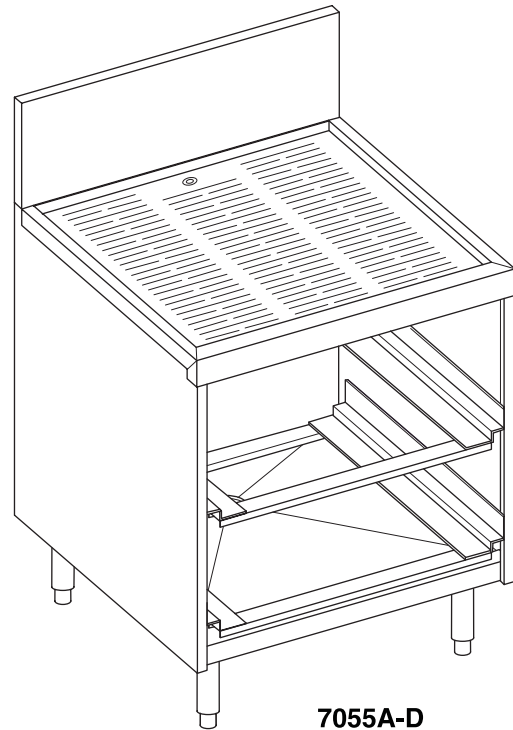
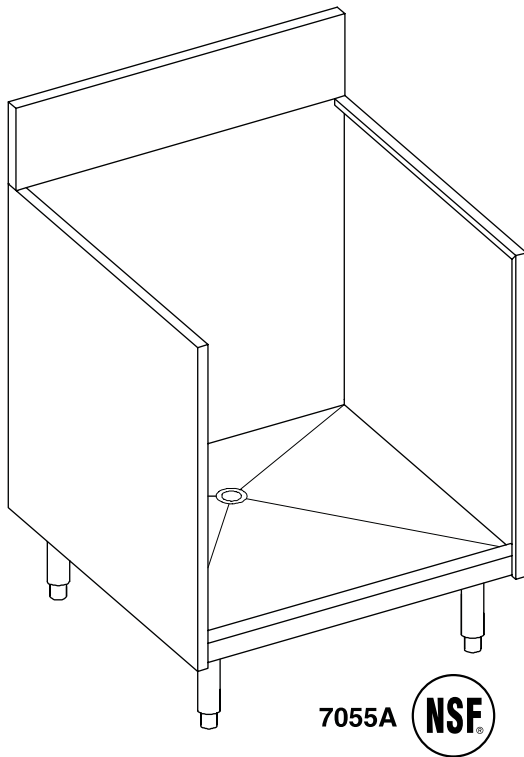
STORAGE BINS FOR GLASSWARE

Perlick Features

- Embossed stainless steel drainboard.
- Quality construction.

MODEL NOS.

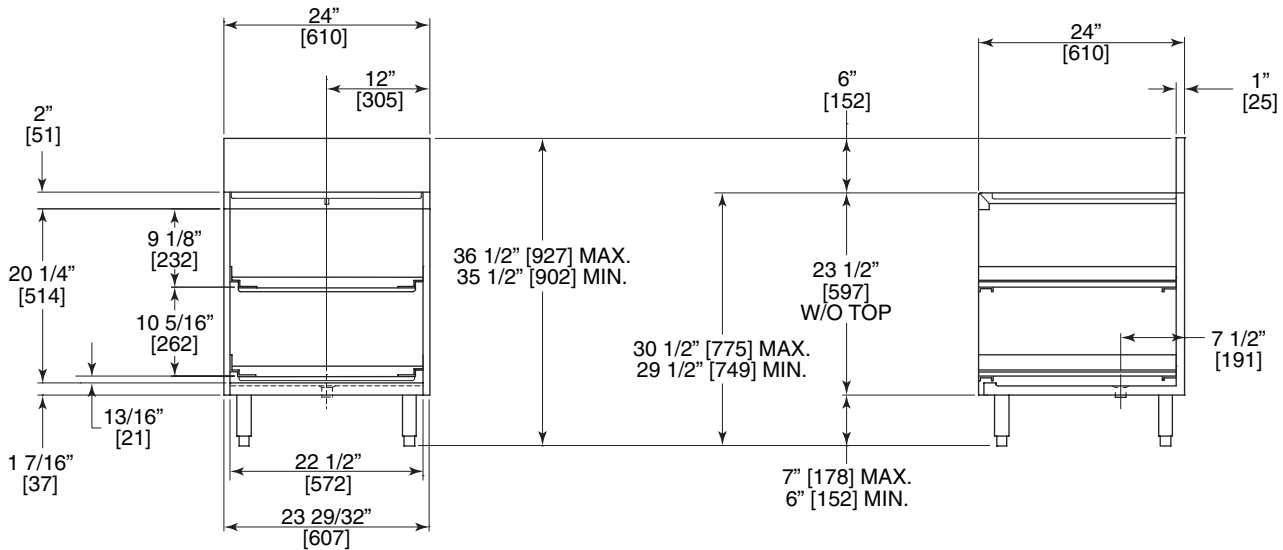
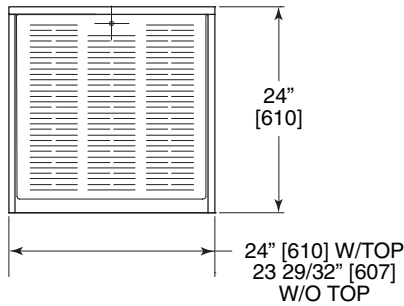
- 7055A
- 7055A-D



Sizes and Specifications Storage Bins for Glassware

Job _____
 Area _____
 Item No. _____
 Model No. _____

MODEL NOS.	7055A (NSF listed)	7055A-D
LENGTH INS. (mm)	24 (610)	24 " (610)
SHIP WT lbs. (kg)	50 (23)	65 (30)
GENERAL PARTS	Stainless steel.	
BACKSPLASH	General: Stainless steel 6" high (4" high optional) with 1" return at top, mechanically fastened and sealed with steel support brackets.	
DRAINBOARD	Model No. 7055A-D: Embossed stainless steel, 21 ⁷ / ₁₆ " deep front to back. All horizontal and vertical edges 1/4" radius with balled corners. Underside reinforced with welded brackets.	
LEGS	1 ⁵ / ₈ " tubular, stainless steel with 1" adjustable stainless steel foot.	
PLUMBING	Bin drain-connection - 1-1/2" NPS Male. Drainboard: Drain fitting at rear furnished with 1/2" I.D. flexible hose to drain water at bottom.	



8300 West Good Hope Road • Milwaukee, WI 53223 • Phone 414-353-7060 • Fax 414-353-7069
 Toll Free 800-558-5592 • E-Mail: Perlick@Perlick.com • www.Perlick.com

Perlick is committed to continuous improvement.
 Therefore, we reserve the right to change specifications without prior notice.

Form No. SB01
 Rev. 03.19.18