



FLAT TOP BOTTLE COOLERS

REFRIGERATION

Perlick Features

- Heavy-duty construction
- 2" foamed-in-place insulation provides energy savings and durability
- Stainless steel interior with choice of stainless steel or black vinyl-coated exterior
- Plug-in installation; no condensate plumbing required
- 24" front-to-back dimension matches depth of surrounding underbar
- Reinforced door mullion won't bend or sag
- Dent-resistant heavy gauge doors available with optional locks
- Standard models factory set to approximately 38°F (3.3°C);
Low-temp (LT) models factory set to approximately 30°F (-1.1°C)
- Available with optional Bottle Opener and Cap Receiver

JOB
AREA
ITEM NO.
MODEL NO.

MODELS	
	BC24
	BC24LT
	BC36
	BC36LT
	BC36LT
	BC48
	BC48LT
	BC60
	BC60LT
	BC72
	BC72LT
	BC96
	BC96LT



BC24
(shown w/optional opener, receiver and casters)



BC36
(shown w/optional casters)



BC72
(shown w/optional opener, receiver and casters)

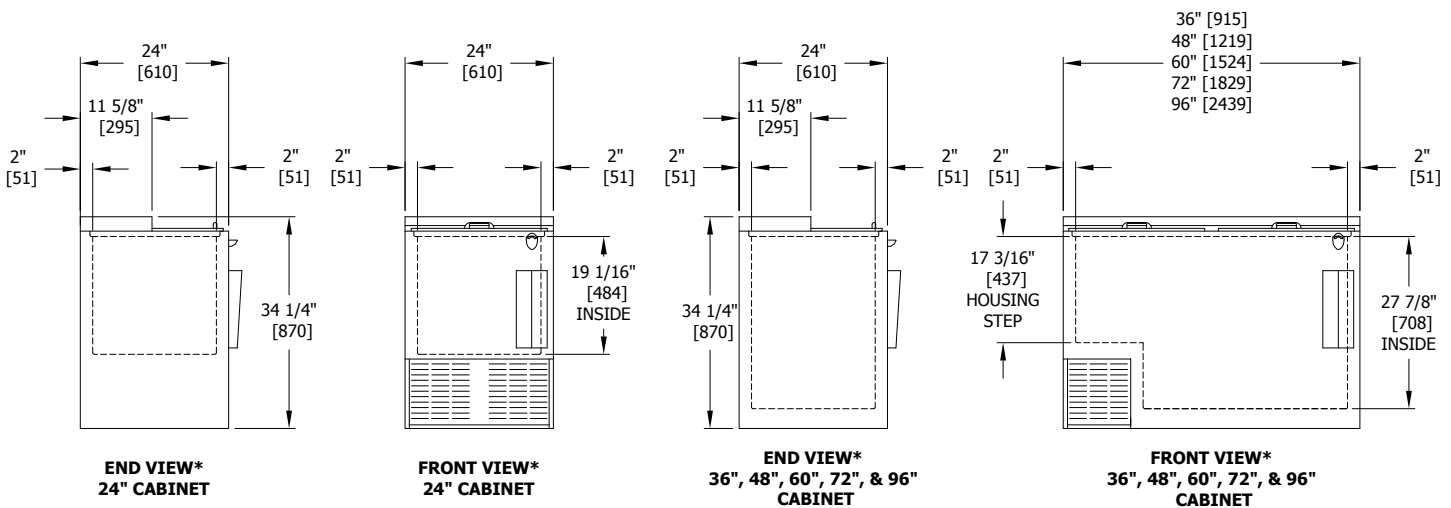


FLAT TOP BOTTLE COOLERS

REFRIGERATION

MODEL NO.	BC24/BC24LT	BC36/BC36LT	BC48/BC48LT	BC60/BC60LT	BC72/BC72LT	BC96/BC96LT	
EXTERIOR CABINET DIMENSIONS	Length Ins. (cm)	24" (61)	36" (91)	48" (122)	60" (152)	72" (183)	96" (244)
	Depth Ins. (cm)	24" (61)	24" (61)	24" (61)	24" (61)	24" (61)	24" (61)
	Height Ins. (cm)	34.25" (87)	34.25 (87)	34.25" (87)	34.25 (87)	34.25" (87)	34.25 (87)
SHIP WEIGHT LBS. (KG)	190 (86)	245 (111)	300 (136)	353 (160)	405 (184)	515 (235)	
CAPACITY CU. FT. (L.)	4 (113)	7.6 (215)	12.6 (357)	16.5 (467)	20.6 (583)	28.7 (813)	
CASE CAPACITY (12oz bottles)	5.5	9.75	17.2	21	28.3	41	
CONDENSER UNIT H.P.	1/5	1/5	1/4	1/3	1/3	1/3	
RUNNING LOAD - AMPS	3.2	3.0	5.2	7.0	6.9	7.6	
CABINET CONSTRUCTION (INT.)	Interior Walls, Floor Stainless steel						
CABINET CONSTRUCTION (EXT.)	Exterior Top Stainless steel w/option for the rest of the exterior (see customer options below)						
CABINET INSULATION	Polyurethane-Ecomate. Wall Thickness-2" (foamed-in-place)						
DOORS & HARDWARE	Opening Style Sliding Construction Stainless steel top and bottom pans Handle Style Die cast Locks Available with or without locks						
REFRIGERATION	Refrigerant R134a Expansion Device Capillary Tube Type w/Hermetic Condensing Unit that pulls our for service and cleaning Low-Temp Models Equipped w/automatic defrost						
VENTILATION	All models (<i>excluding BC24 and bc24lt models</i>) require 2" clearance from wall on left end or back of cabinet for proper airflow						
PLUMBING	None required; condensate evaporates automatically						
ELECTRICAL	Electrical Supply 115V/60 Hz/1 Phase AC or available with 230V/50 Hz/ 1 Phase AC Cord Connection Furnished w/6' NEMA 5-15P rubber plug-in cord (115V models only)						
TEMPERATURE SETTINGS F°(C°)	Factory Temp. Setting-Standard Models 38°(3.3°) Factory Temp. Setting-Low Temp (LT) Models 30°(-1.1°)						
CUSTOMER OPTIONS	Cabinet Finishes Black Option: Front and ends are black vinyl-coated steel (back and bottom galvanized), Stainless Steel Option: Front and ends are stainless steel (back and bottom are galvanized), All Stainless Steel Option: Front, ends, back and bottom are stainless steel						
ADDITIONAL ACCESSORIES	Floor Racks, Bin Dividers, Interior Light (installed), Casters, Speed Rails, Adjustable Legs, Bottle Opener and Receiver, Wine Temperature (specify red or white), Roller Basket Shelving, Door Locks						

NOTE: This equipment is intended for the storage and display of non-potentially hazardous bottled or canned products only!



* Shown with optional opener and receiver.

California Prop 65 Notice:

WARNING: The materials used in this product may contain chemicals known to the State of California to cause cancer and birth defects or other reproductive harm. For more information go to www.P65Warnings.ca.gov.

Form No. BC01
Rev. 08.30.18