

EQUIPMENT STAND

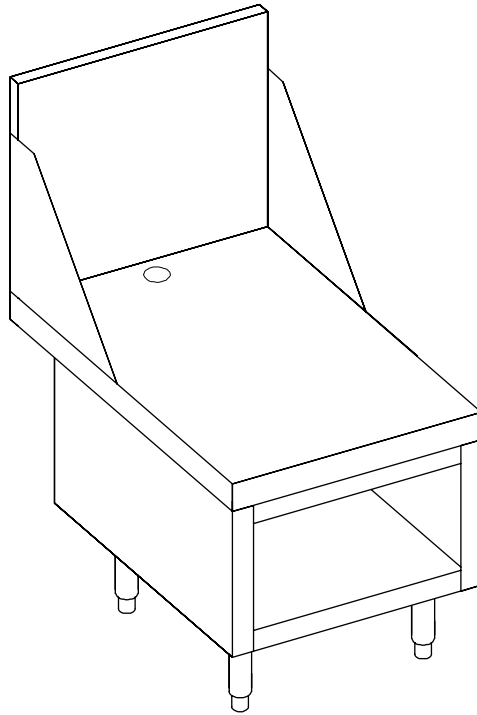
Perlick Features

- Convenient working height for shaved ice blending machines.
- Ample storage for supplies.
- Integral side splashes.
- Power cord access hole in cabinet top.
- Heavy duty construction.

MODEL NOS.

ES18

ES24



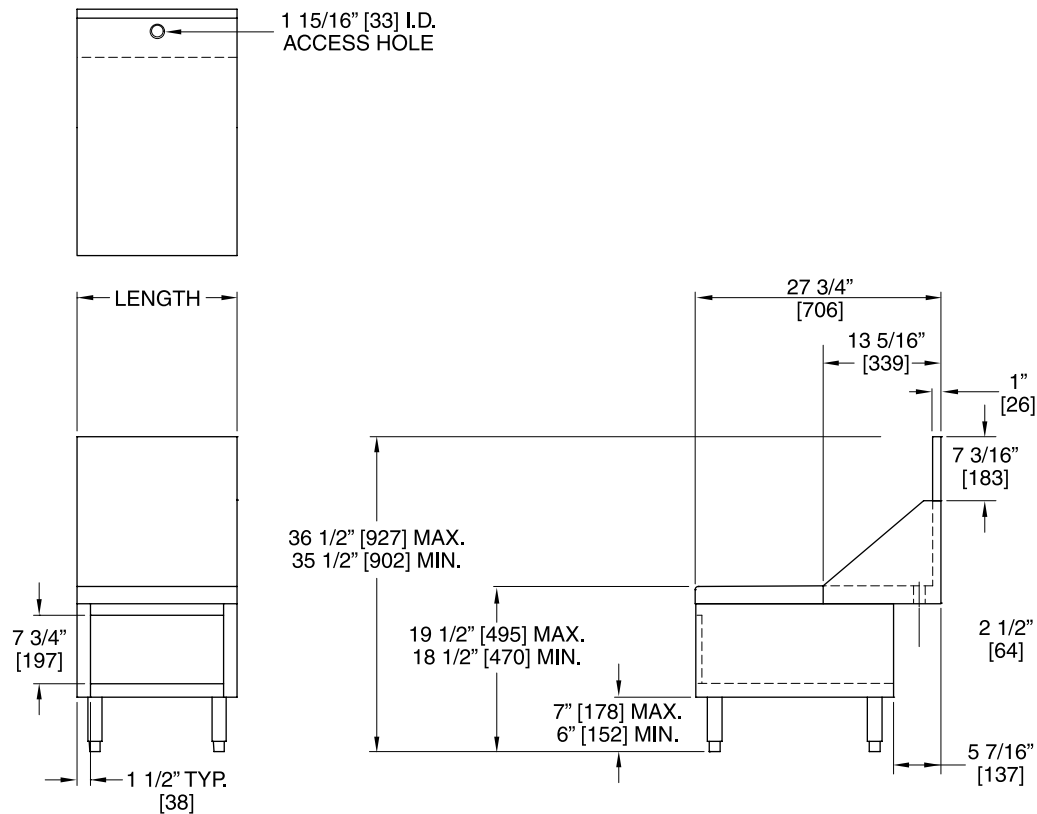
8300 West Good Hope Road • Milwaukee, WI 53223 • Phone 414-353-7060 • Fax 414-353-7069
Toll Free 800-558-5592 • E-Mail: Perlick@Perlick.com • www.Perlick.com

Form No. MM03
Rev. 03.30.05

Sizes and Specifications Equipment Stand

Job _____
 Area _____
 Item No. _____
 Model No. _____

MODEL NOS.	ES18	ES24
LENGTH INS. (mm)	18" (457)	24" (610)
SHIP WT lbs. (kg)	45 (20)	65 (30)
FRONT, SIDES & INTERIOR	Stainless steel.	
BACKSPLASH	General: Stainless steel with 1" return at top, mechanically fastened and sealed with steel support brackets.	
TOP	Stainless steel, 26 ³ / ₄ " deep front to back. Underside reinforced with welded brackets.	
LEGS	1 ⁵ / ₈ " tubular, stainless steel with 1" adjustable stainless steel foot.	



8300 West Good Hope Road • Milwaukee, WI 53223 • Phone 414-353-7060 • Fax 414-353-7069
 Toll Free 800-558-5592 • E-Mail: Perlick@Perlick.com • www.Perlick.com

Perlick is committed to continuous improvement.
 Therefore, we reserve the right to change specifications without prior notice.

Form No. MM03
 Rev. 03.30.05

KaTom Restaurant Supply, Inc.